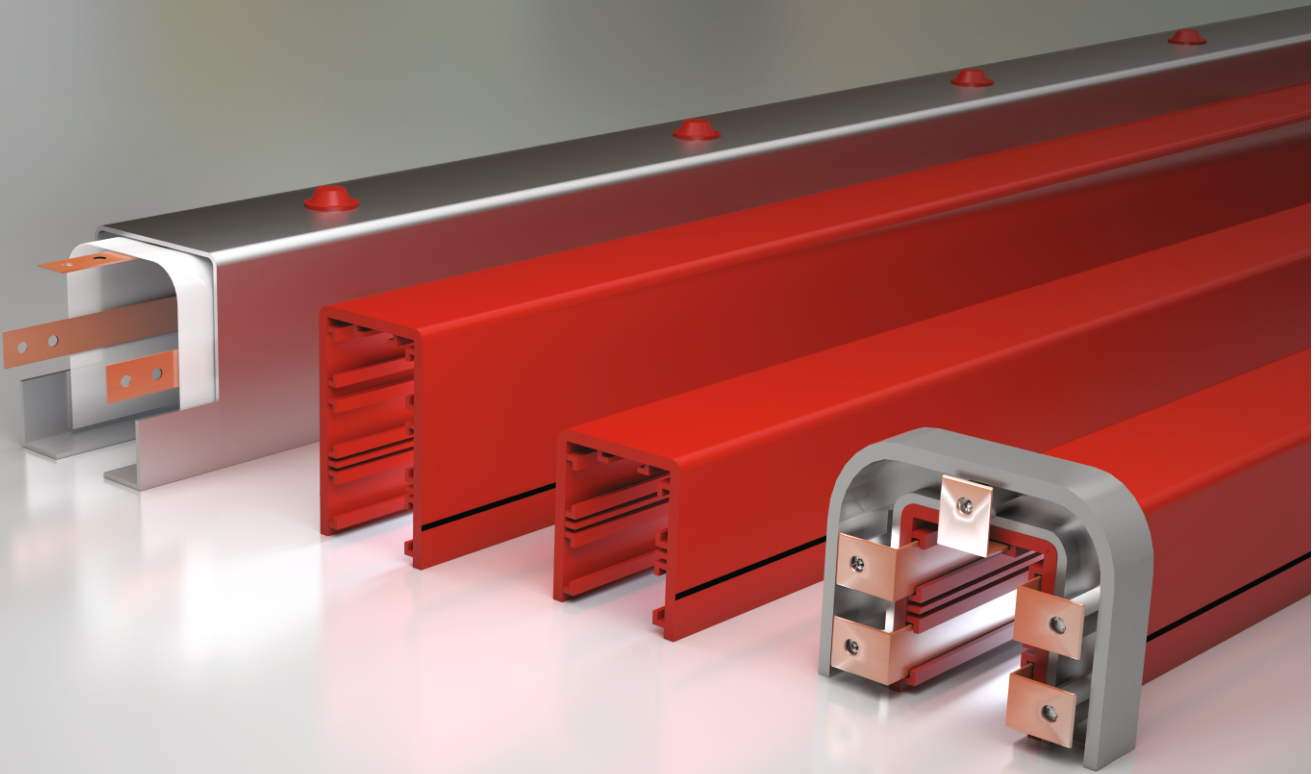




# E-LINETB

Trolley Busbar Systems



2017/1

E-LINETB



# CONTENTS



## ►► E-LINE TBE-TBS-TB-KT

Trolley Busbar Systems .....	2-3
<b>TBE</b>	
General Specifications .....	4-5
Order Code Systems .....	6
TBE PVC Housing .....	7
TBE Special Length and Feeder Units .....	8
TBE Feeder Units & End Closure .....	9
Current Collector Trolleys .....	10-11
System Components .....	12
TBE Current Collector Trolley Replacement Module .....	13
TBE Installation Manual .....	14-15
TBE Trolley Busbar Installation Example .....	16
<b>TBS</b>	
General Specifications .....	18-19
Order Code Systems .....	20
TBS PVC Housing .....	21
TBS Feeder Units .....	22-23
Current Collector Trolleys .....	24-25
System Components .....	26-27
TBS Current Collector Trolley Replacement Module .....	28
TBS Installation Manual .....	29-30
TBS Feeder Unit Installation .....	31
TBS End Closure Installation .....	32
TBS Trolley Busbar Installation Example .....	33
<b>TB</b>	
General Specifications .....	36-37
Order Code Systems .....	38
TB PVC Housing .....	39
TB Feeder Units .....	40-41
Current Collector Trolleys .....	42
System Components .....	43-44
TBS Current Collector Trolley Replacement Module .....	45
TB Installation Manual .....	46-47
TB Feeder Unit and Closure Installation Manual .....	48
TB Trolley Busbar Installation Example .....	49
<b>KT</b>	
KT Galvanize Steel Housing Trolley Busbar .....	50
System Components .....	51
Declaration .....	52

# ELINETBE-TBS-TB-KT

## ▶▶ Trolley Busbar Systems



### Applications:

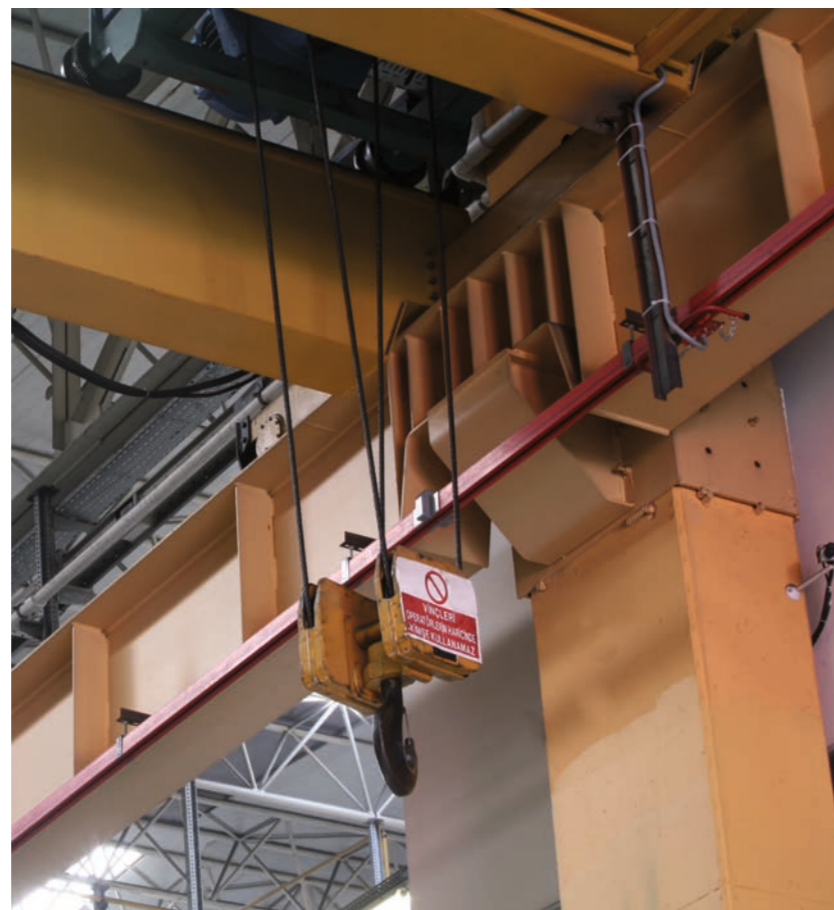
- Hoists and Overhead Cranes
- Textile Industry
  - Cutting Tables
  - Pastal Machines
- Movable Manufacturing Lines
- Automated Stores

The system consists of a PVC housing enclosing the conductors. The power is taken from the conductors through the brushes in the trolleys, which travel with the moving machinery, to supply continuous power to the moving machines.

This eliminates the possibility of accidents and malfunctions associated with moving cables.

### Cautions;

It is advisable not to use the Trolley busbar system outdoors or in locations where there is direct sunlight, rain or splashing water. If the trolley busbar is to be used outdoors then the system should be protected by a canopy.



# ELINETBE-TBS-TB-KT



**Reliability;**

This eliminates the possibility of accidents and malfunctions associated with moving cables.

**Personnel Safety;**

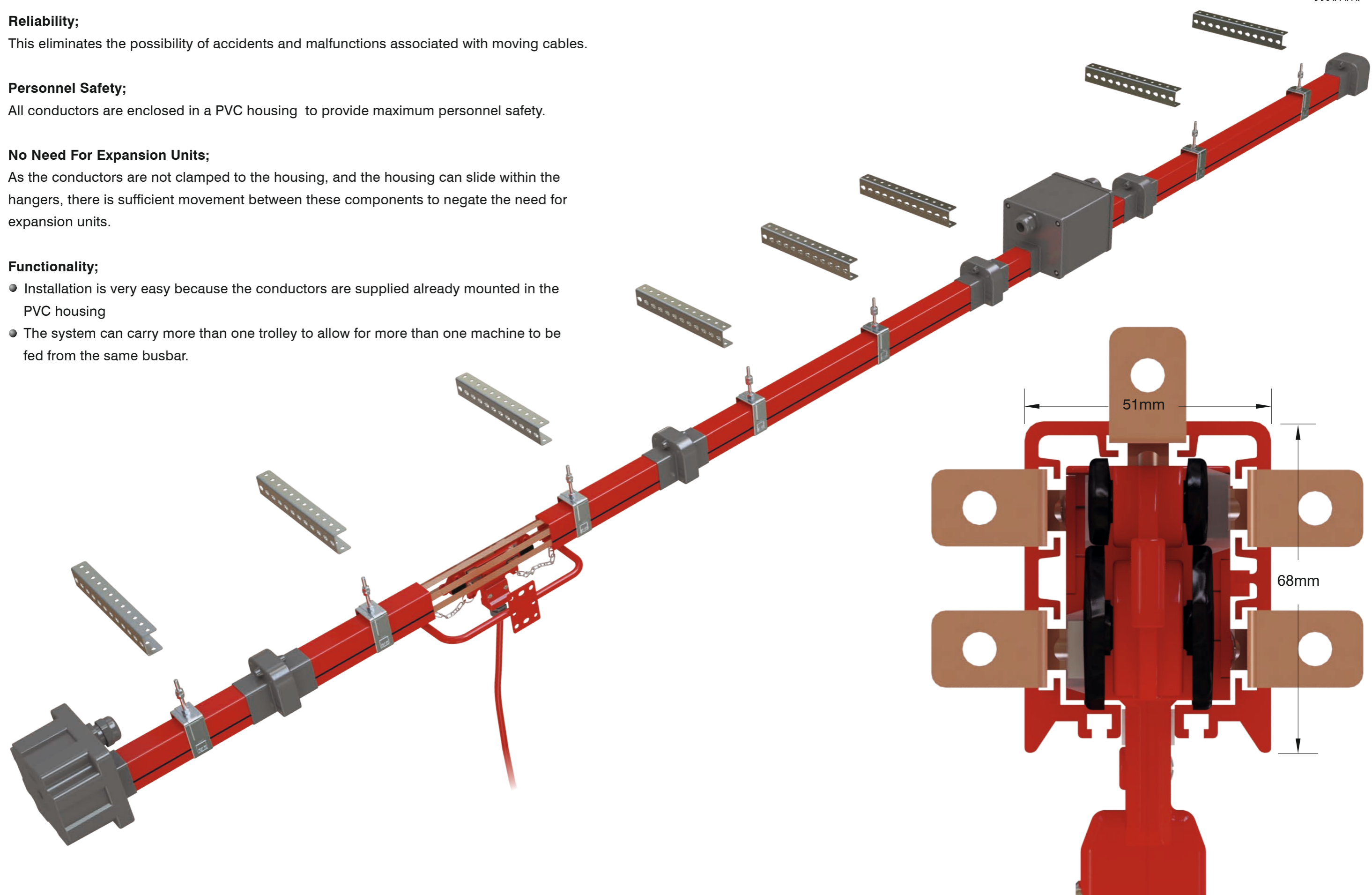
All conductors are enclosed in a PVC housing to provide maximum personnel safety.

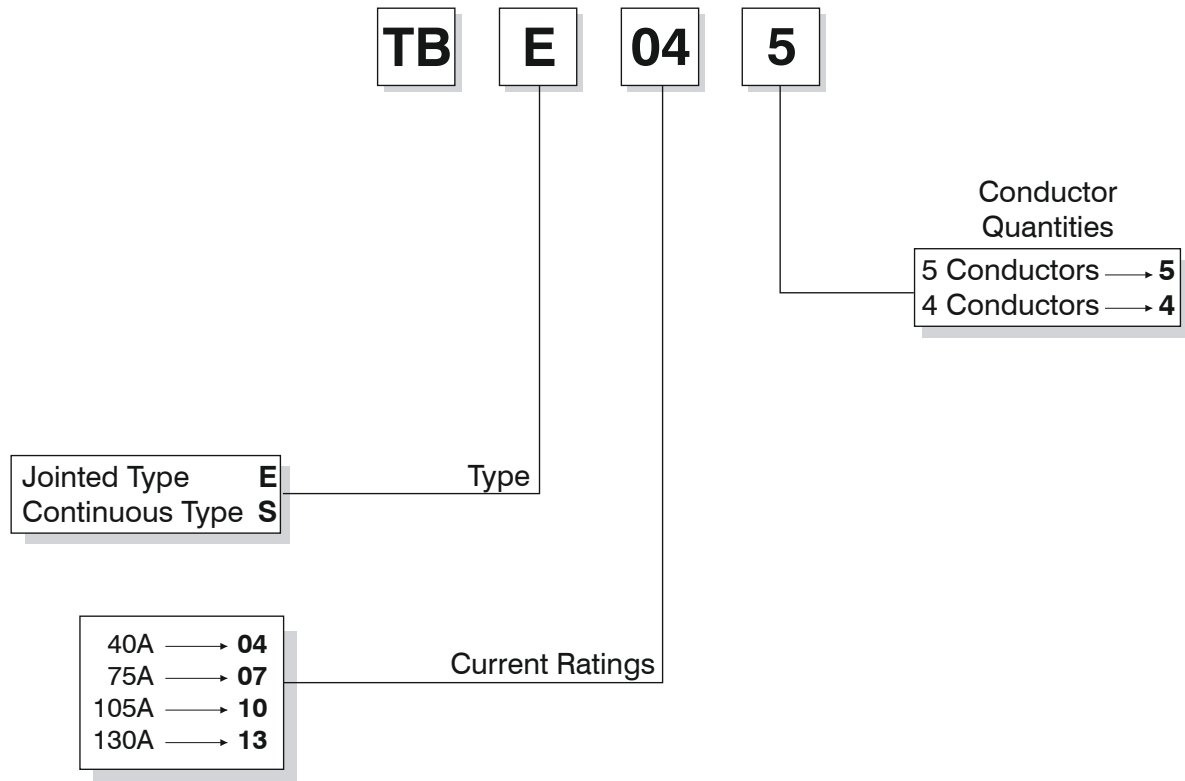
**No Need For Expansion Units;**

As the conductors are not clamped to the housing, and the housing can slide within the hangers, there is sufficient movement between these components to negate the need for expansion units.

**Functionality;**

- Installation is very easy because the conductors are supplied already mounted in the PVC housing
- The system can carry more than one trolley to allow for more than one machine to be fed from the same busbar.





## ►► Technical Features

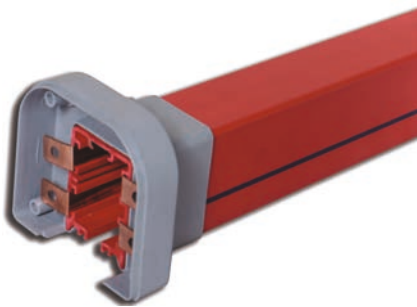
Rated Current	(A)	40	75	105	130
Conductor Quantities	(Pcs)	4-5	4-5	4-5	4-5
Rated Voltage	(AC) (V)	400	400	400	400
Dielectric Properties	(kV/mm)	30	30	30	30
Frequency	(Hz)	50/60	50/60	50/60	50/60
Resistance (20°C)	R <sub>20</sub> (mΩ/m)	1,290	1,163	0,760	0,573
Resistance (35°C)	R <sub>35</sub> (mΩ/m)	1,484	1,343	0,879	0,659
Reactance	X (mΩ/m)	0,496	0,259	0,129	0,174
Impedance	Z (mΩ/m)	1,564	1,367	0,888	0,682
Standard Length	(m)	4	4	4	4

## ▶▶ TBE PVC Housing

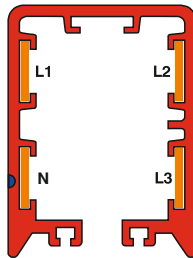
Installation is very easy because the conductors are already mounted in the PVC housing  
 The housing has 5 channels for upto 5 conductors as standard.  
 There is safety system that prevents the trolley wagon to be fixed inversely.

- 3, 4 or 5 conductors can be used in same PVC housing.
- Colour: **Red**.
- Temperature range: -20 °C and +55 °C.
- The blue line on one side of the housing indicates the neutral position
- PVC housing has high impact strength and non flammable characteristics.
- Standard housing length is 4m.

## ▶▶ TBE Trolley Busbar

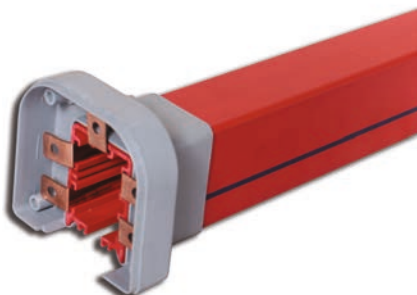


4m. Standard, 4 Conductors  
in single housing

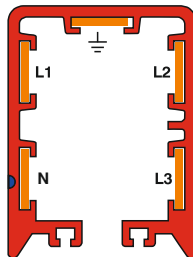


### TBE Trolley Busbar (4P)

Description			Order Code
TBE 044	4P-40A	Trolley Busbar	3024446
TBE 074	4P-75A	Trolley Busbar	3024449
TBE 104	4P-105A	Trolley Busbar	3024447
TBE 134	4P-130A	Trolley Busbar	3024448

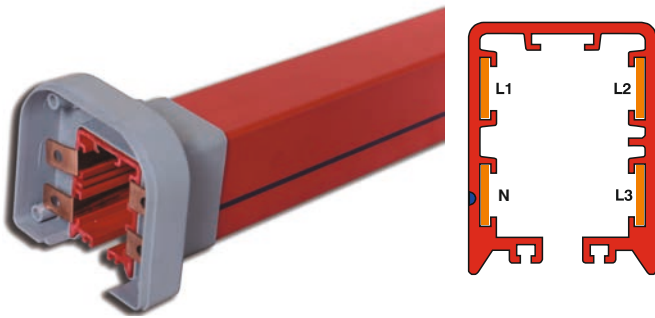


4m. Standard, 5 Conductors  
in single housing



### TBE Trolley Busbar (5P)

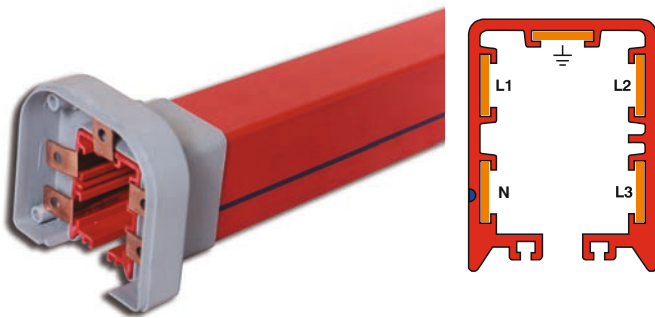
Description			Order Code
TBE 045	5P-40A	Trolley Busbar	3024435
TBE 075	5P-75A	Trolley Busbar	3024436
TBE 105	5P-105A	Trolley Busbar	3024437
TBE 135	5P-130A	Trolley Busbar	3024438



4 Conductors in single housing  
1 and 2m length available

### TBE Special Length Trolley Busbar (4P)

Description			Order Code
TBE 044	4P-40A	Sp. L. T. Busbar	3024473
TBE 074	4P-75A	Sp. L. T. Busbar	3024475
TBE 104	4P-105A	Sp. L. T. Busbar	3024477
TBE 134	4P-130A	Sp. L. T. Busbar	3024479



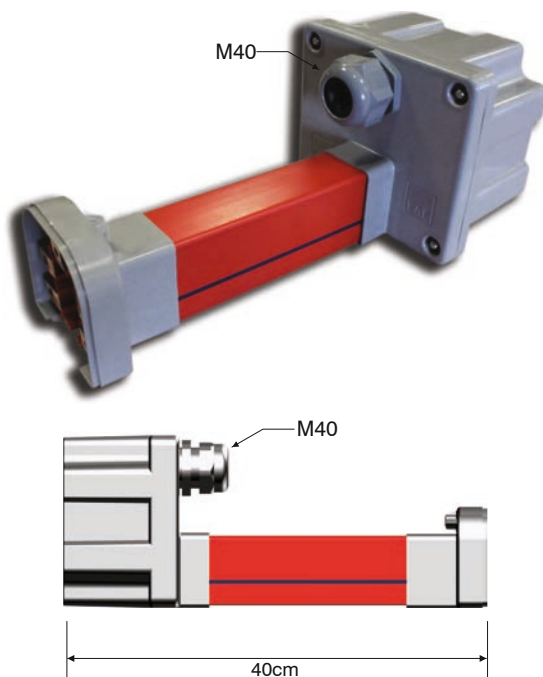
5 Conductors in single housing  
1 and 2m length available

### TBE Special Length Trolley Busbar (5P)

Description			Order Code
TBE 045	5P-40A	Sp. L. T. Busbar	3024474
TBE 075	5P-75A	Sp. L. T. Busbar	3024476
TBE 105	5P-105A	Sp. L. T. Busbar	3024478
TBE 135	5P-130A	Sp. L. T. Busbar	3024480

## ►► TBE Feeder Units

TBE Feeder Unit



### TBE Feeder Units (4P)

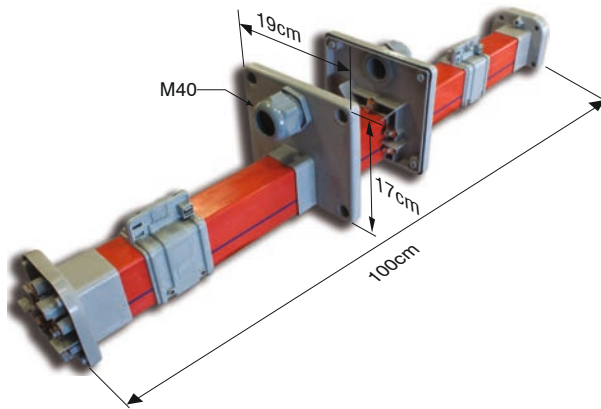
Description			Order Code
TBE 044	4P-40A	Feeder Unit	3024431
TBE 074	4P-75A	Feeder Unit	3024432
TBE 104	4P-105A	Feeder Unit	3024433
TBE 134	4P-130A	Feeder Unit	3024434

### TBE Feeder Units (5P)

Description			Order Code
TBE 045	5P-40A	Feeder Unit	3024459
TBE 075	5P-75A	Feeder Unit	3024423
TBE 105	5P-105A	Feeder Unit	3024424
TBE 135	5P-130A	Feeder Unit	3024445



TBE Line Feed Unit



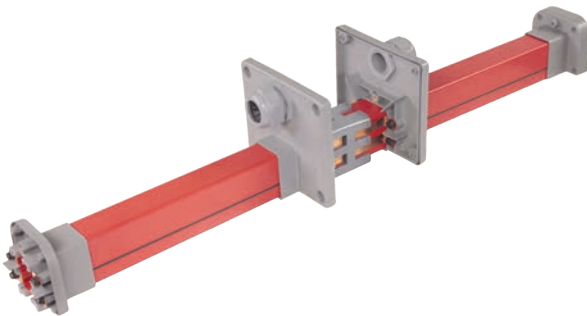
### TBE Line Feed Units (4P)

Description			Order Code
TBE 044	4P-40A	Line Feed Unit	3024439
TBE 074	4P-75A	Line Feed Unit	3024440
TBE 104	4P-105A	Line Feed Unit	3024441
TBE 134	4P-130A	Line Feed Unit	3024442

### TBE Line Feed Units (5P)

Description			Order Code
TBE 045	5P-40A	Line Feed Unit	3024460
TBE 075	5P-75A	Line Feed Unit	3024425
TBE 105	5P-105A	Line Feed Unit	3024426
TBE 135	5P-130A	Line Feed Unit	3024427

TBE Repair Zone Unit



### TBE Repair Zone Units (4P)

Description			Order Code
TBE 044	4P-40A	Repair Zone Unit	3066688
TBE 074	4P-75A	Repair Zone Unit	3066689
TBE 104	4P-105A	Repair Zone Unit	3066690
TBE 134	4P-130A	Repair Zone Unit	3066691

### TBE Repair Zone Units (5P)

Description			Order Code
TBE 045	5P-40A	Repair Zone Unit	3066692
TBE 075	5P-75A	Repair Zone Unit	3066693
TBE 105	5P-105A	Repair Zone Unit	3066694
TBE 135	5P-130A	Repair Zone Unit	3066695

End Closure

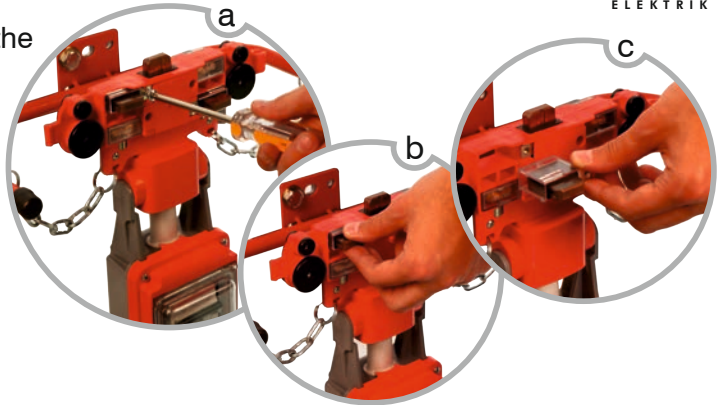


### TBE End Closure

Description	Order Code
TBE End Closure	3024420

## ▶▶ Current Collector Trolleys

- The trolley is moved by an arm mounted on the moving machine.
- The trolley moves together with the machine. Damaged or long service brushes can be easily replaced.



TB5-Y Current Collector  
(Single)

### TB5-Y Current Collectors with Cable (4P)

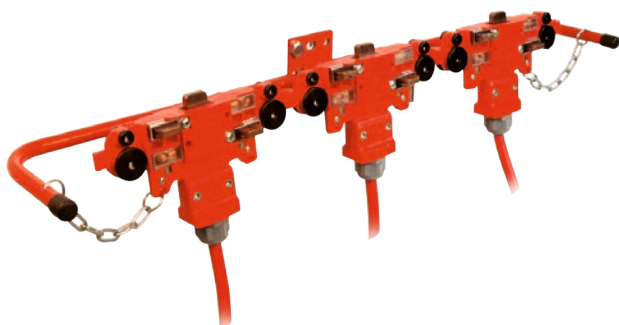
Description	Order Code
4P-35A TB5-Y Current Collector with Cable (Single)	3024385
4P-70A TB5-Y Current Collector with Cable (Double)	3024386
4P-105A TB5-Y Current Collector with Cable (Triple)	3024387



TB5-Y Current Collector  
(Double)

### TB5-Y Current Collectors with Cable (5P)

Description	Order Code
5P-35A TB5-Y Current Collector with Cable (Single)	3024376
5P-70A TB5-Y Current Collector with Cable (Double)	3024377
5P-105A TB5-Y Current Collector with Cable (Triple)	3024378



TB5-Y Current Collector  
(Triple)

- 4/5 X 4mm<sup>2</sup> ve 2m length cable standard at TB5-Y Current Collector.
- Used M25 Gland.



Current Collector  
with Fuse Box (Single)

### TB5-Y Current Collectors with Fuse Box (4P)

Description	Order Code
4P-35A TB5-Y Current Collector with Fuse Box (Single)	3024382
4P-70A TB5-Y Current Collector with Fuse Box (Double)	3024383
4P-105A TB5-Y Current Collector with Fuse Box (Triple)	3024384



Current Collector  
with Fuse Box (Double)

### TB5-Y Current Collectors with Fuse Box (5P)

Description	Order Code
5P-35A TB5-Y Current Collector with Fuse Box (Single)	3024373
5P-70A TB5-Y Current Collector with Fuse Box (Double)	3024374
5P-105A TB5-Y Current Collector with Fuse Box (Triple)	3024375



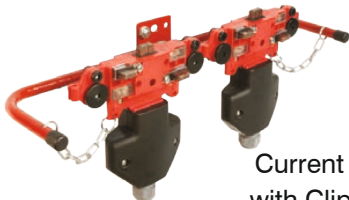
Current Collector  
with Fuse Box (Triple)



Current Collector  
with Clip (Single)

### TB5-Y Current Collectors with Clip (4P)

Description	Order Code
4P-35A TB5-Y Current Collector with Clip (Single)	3024388
4P-70A TB5-Y Current Collector with Clip (Double)	3024389
4P-105A TB5-Y Current Collector with Clip (Triple)	3024390



Current Collector  
with Clip (Double)

### TB5-Y Current Collectors with Clip (5P)

Description	Order Code
5P-35A TB5-Y Current Collector with Clip (Single)	3024379
5P-70A TB5-Y Current Collector with Clip (Double)	3024380
5P-105A TB5-Y Current Collector with Clip (Triple)	3024381



Current Collector  
with Clip (Triple)



TB5 Plastic Sliding Hanger

### TB5 Plastic Sliding Hanger

Description	Order Code
TB5 Plastic Sliding Hanger	1003664

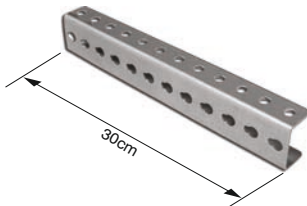


TB5 Steel Sliding Hanger

### TB5 Steel Sliding Hanger

Description	Order Code
TB5 Steel Sliding Hanger	1005954

- 1000~1300mm: In all current levels at temperatures above 40° C
- 1300~1500mm: In all current levels at temperatures up to 40° C



TB Hanger Bracket

### TB Hanger Bracket

Description	Order Code
TB Hanger Bracket	3025153



5 Current Collector Brushes

### TB5 Current Collector Brushes

Description	Order Code
TB5-Y Current Collector Phase Brush	3024371
TB5-Y Current Collector Neutral Brush	3024372
TB5 Current Collector Brush	1002256



TB5 Rubber Gasket Mounting Tool

### TB5 Rubber Gasket Mounting Tool

Description	Order Code
TB5 Rubber Gasket Mounting Tool	3024455

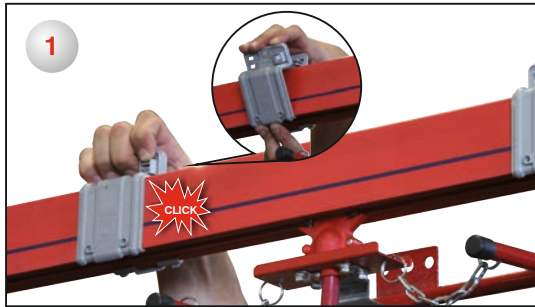


TB Gasket

### TB Gasket

Description	Order Code
TB Gasket	1000810

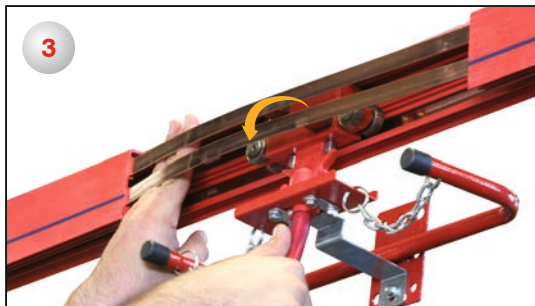
This unit is used to remove an existing trolley or to add extra trolleys when more than one trolley is required on the run.



Remove the bolts of joint unit.



Remove PVC housing as shown.



Move the conductors by hand and remove the current collector from its location.



Apply the same method in reverse to mount the trolley


The unit is obtained by cutting a 50cm section from the PVC housing. The TBE current collector is aligned in between the joint units.

### TBE Current Collector Replacement Module (4P)

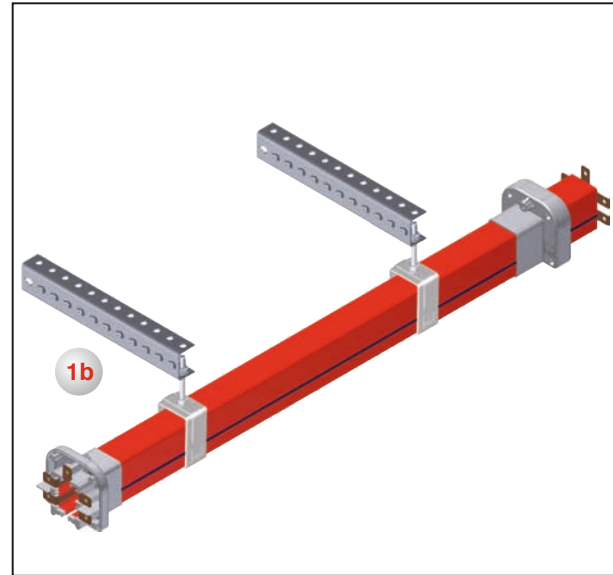
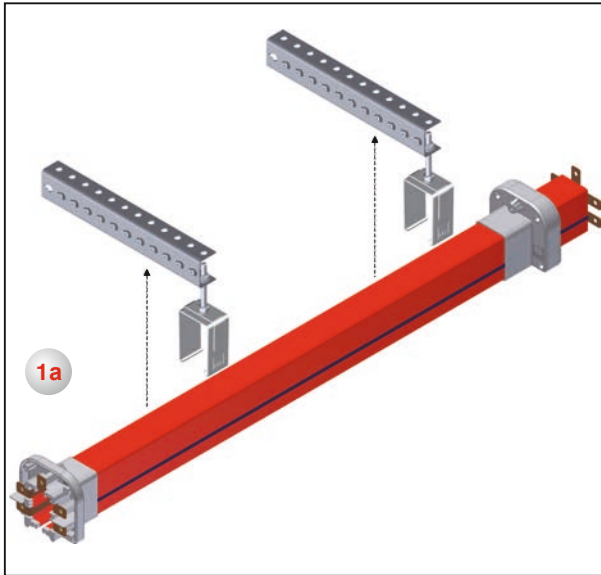
Description			Order Code
TBE 044	4P-40A	Replacement Module	3024558
TBE 074	4P-75A	Replacement Module	3024897
TBE 104	4P-105A	Replacement Module	3024898
TBE 134	4P-130A	Replacement Module	3024899

### TBE Current Collector Replacement Module (5P)

Description			Order Code
TBE 045	5P-40A	Replacement Module	3024421
TBE 075	5P-75A	Replacement Module	3024428
TBE 105	5P-105A	Replacement Module	3024429
TBE 135	5P-130A	Replacement Module	3024430

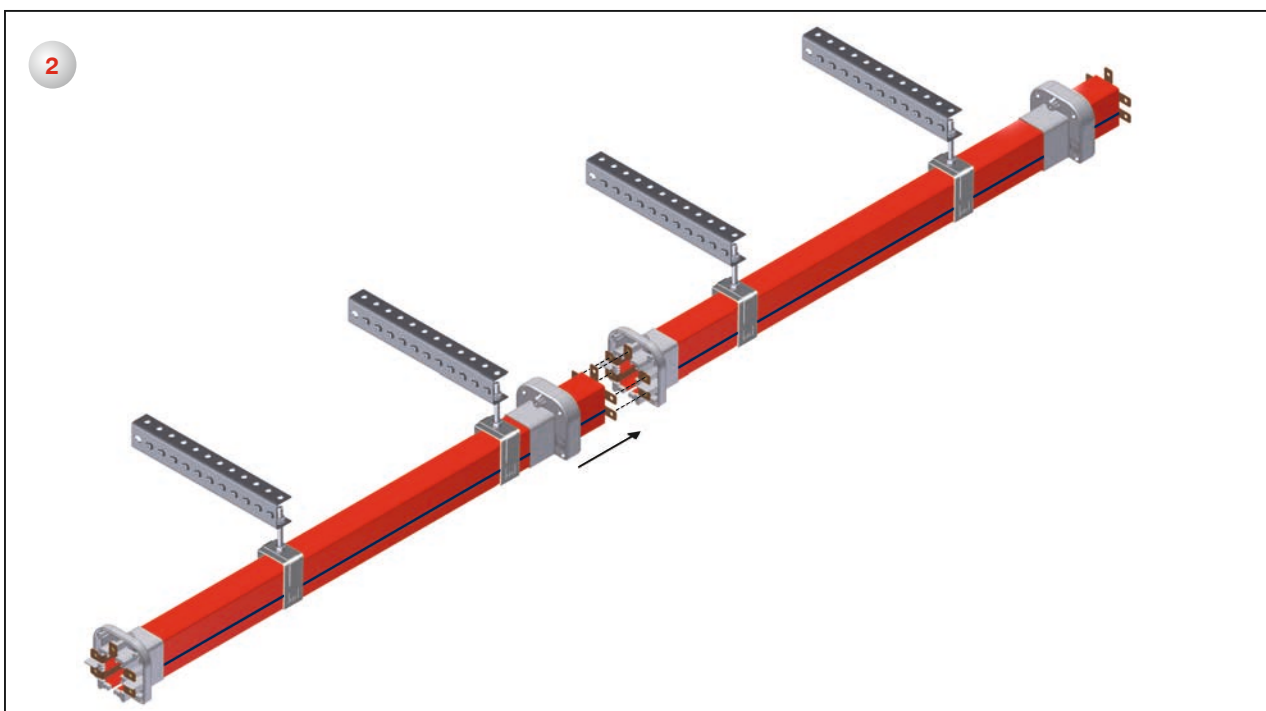
 **Attention:** Power should be switched off before opening the busbar housing

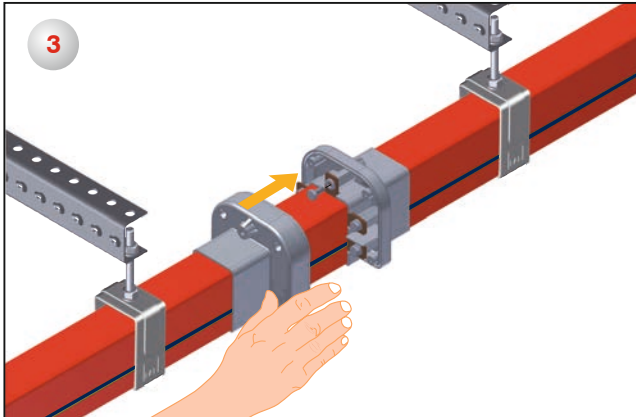
Hanger supports are fixed to the ceiling or joists along the run at 1,3m~1,5m intervals. The sliding hangers are are fitted to the hanger brackets.



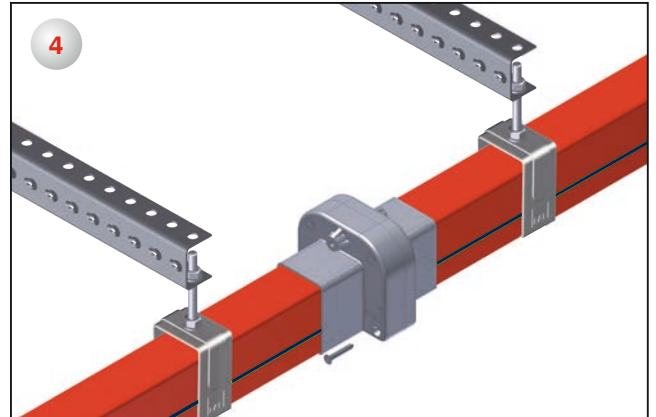
The 4 m long sections of the PVC housing with the conductors installed are clipped to the sliding hangers.

 **Attention:** Aligned by lining up the blue (neutral) line on the side of the housing.



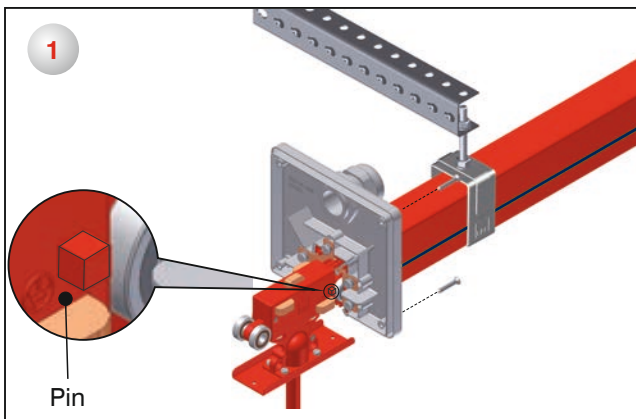


The conductors in the 4m long housing are joined using bolts at the joint areas, these are protected by plastic joint covers.

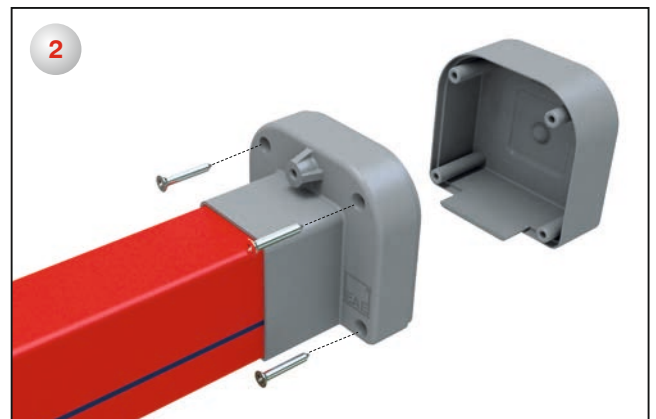


The installation is completed by screwing the joint covers together.

## ►► TBE End Closure



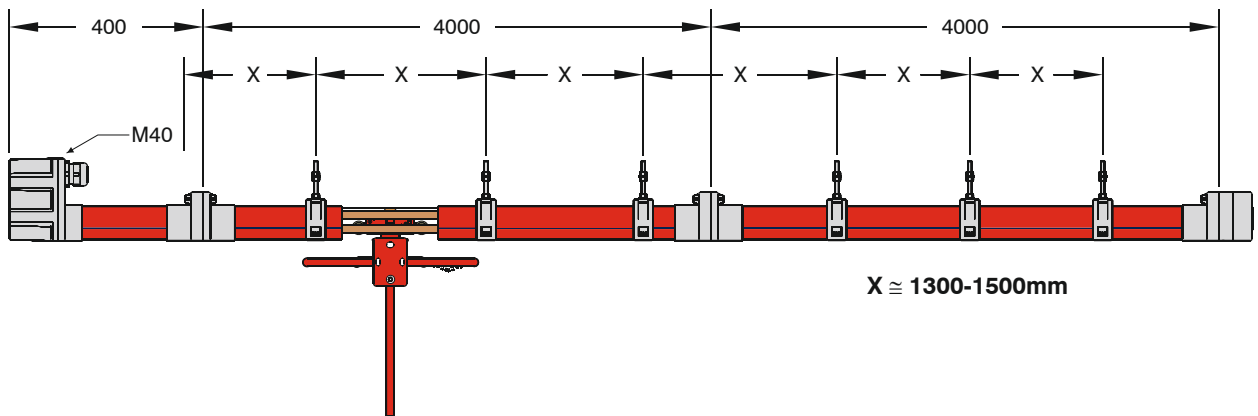
Before fitting the end cover the trolley should be mounted on the system.  
(The location pin on the trolley should be aligned to the groove in the housing, this ensures that the trolley is mounted in the correct orientation.)



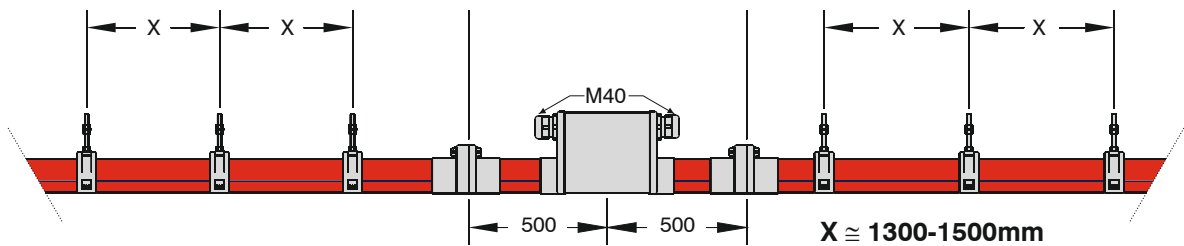
The end closer is then screwed into place.

### TBE Busbar Installation Example

#### Example with Feeder Unit



#### Example with Line Feed Unit






Component List	Item	Component	Quantity
Please duplicate this page for your own use.			

Company :  
Project :  
Project No :

Prepared by  
Name :  
Date :  
Signature :



# ELINETBS

## ►► General Specifications



### Reliability;

This eliminates the possibility of accidents and malfunctions associated with moving cables.

### Personnel Safety;

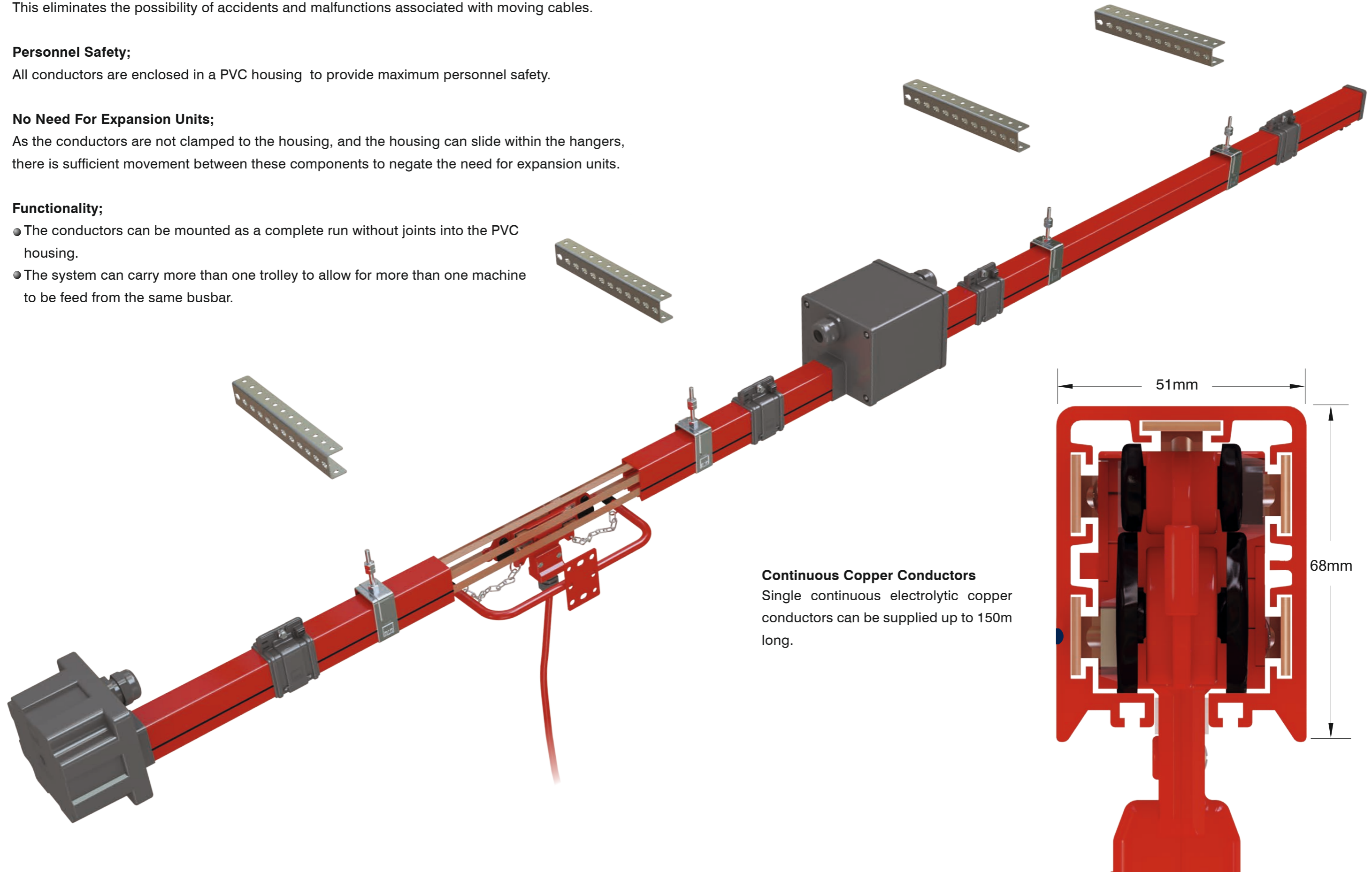
All conductors are enclosed in a PVC housing to provide maximum personnel safety.

### No Need For Expansion Units;

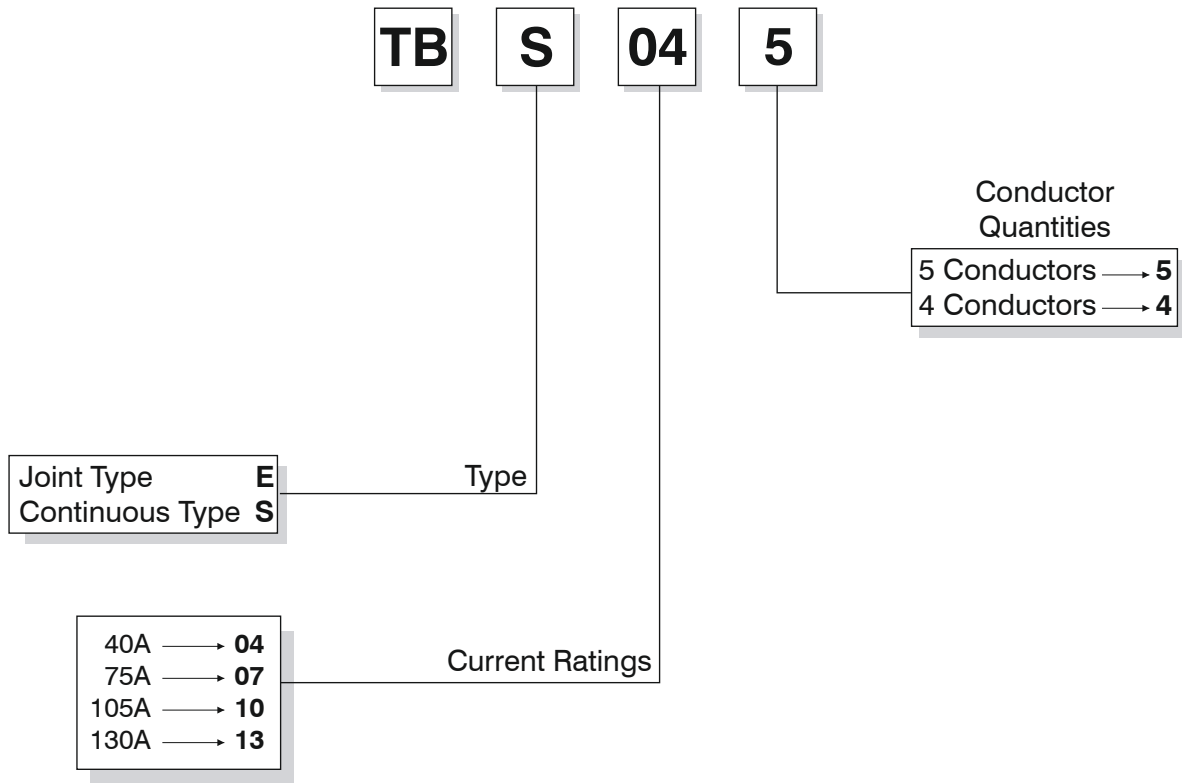
As the conductors are not clamped to the housing, and the housing can slide within the hangers, there is sufficient movement between these components to negate the need for expansion units.

### Functionality;

- The conductors can be mounted as a complete run without joints into the PVC housing.
- The system can carry more than one trolley to allow for more than one machine to be feed from the same busbar.



**Continuous Copper Conductors**  
Single continuous electrolytic copper conductors can be supplied up to 150m long.



## ►► Technical Features

Rated Current	(A)	40	75	105	130
Conductor Quantities	(Pcs)	4-5	4-5	4-5	4-5
Rated Voltage	(AC) (V)	400	400	400	400
Dielectric Properties	(kV/mm)	30	30	30	30
Frequency	(Hz)	50/60	50/60	50/60	50/60
Resistance (20°C)	R <sub>20</sub> (mΩ/m)	1,290	1,163	0,760	0,573
Resistance (35°C)	R <sub>35</sub> (mΩ/m)	1,484	1,343	0,879	0,659
Reactance	X (mΩ/m)	0,496	0,259	0,129	0,174
Impedance	Z (mΩ/m)	1,564	1,367	0,888	0,682
Standard Length	(m)	4	4	4	4

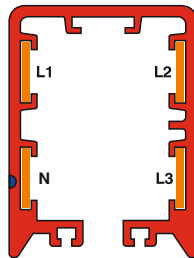
## ►► TBS PVC Housing

Housing has 5 channels for upto 5 conductors as standard.

There is safety system that prevents the trolley from being mounted incorrectly.

- 3, 4 or 5 conductors can be utilized.
- Colour: **Red**.
- Temperature range: -20 °C and +55 °C.
- The blue line on one side of the housing indicates the neutral position
- PVC housing has high impact strength and non flammable characteristics.
- Standard housing lengths is 4m.

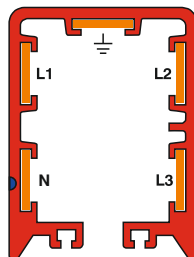
## ►► TBS Trolley Busbar



### TBS Trolley Busbar (4P)

Description			Order Code
TBS 044	4P-40A	Trolley Busbar	3024465
TBS 074	4P-75A	Trolley Busbar	3024466
TBS 104	4P-105A	Trolley Busbar	3024467
TBS 134	4P-130A	Trolley Busbar	3024468

4m. Standard, 4 Conductors  
in single housing



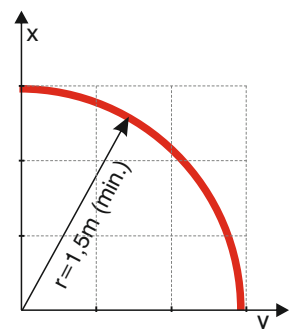
### TBS Trolley Busbar (5P)

Description			Order Code
TBS 045	5P-40A	Trolley Busbar	3024461
TBS 075	5P-75A	Trolley Busbar	3024462
TBS 105	5P-105A	Trolley Busbar	3024463
TBS 135	5P-130A	Trolley Busbar	3024464

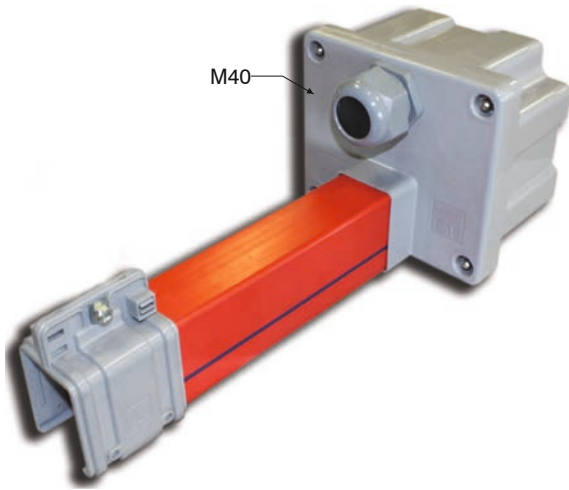
4m. Standard, 5 Conductors  
in single housing

## ►► Radius Trolley Busbar

It has minimum 1.5m radius Trolley Busbar available in vertical axes.

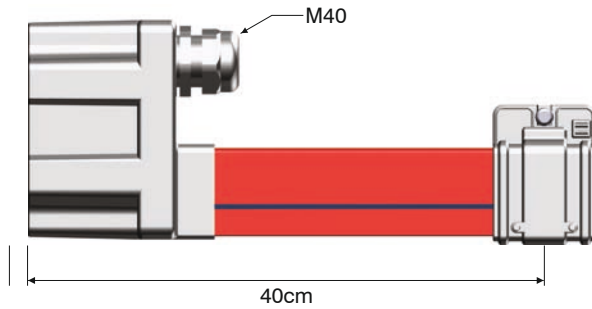


TBS Feeder Unit

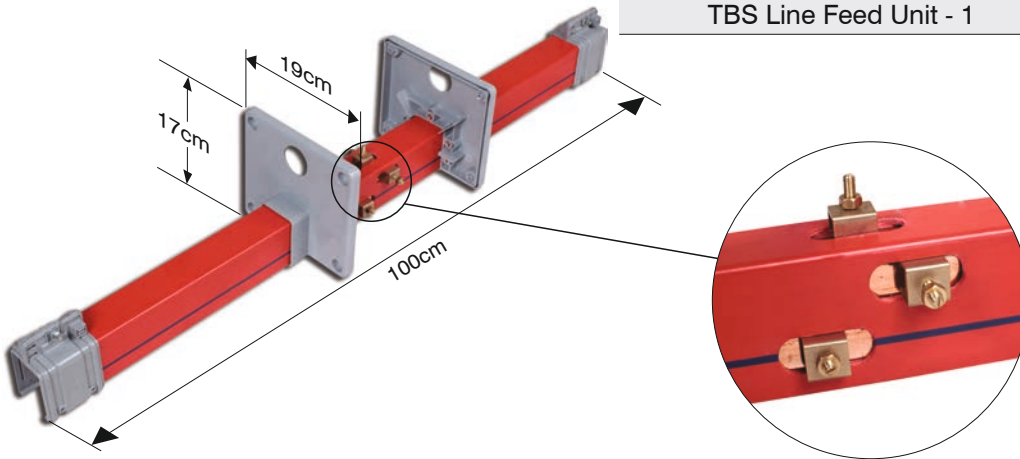


TBS Feeder Unit

Description	Order Code
TBS Feeder Unit	3024457



TBS Line Feed Unit - 1  
(Continuous Type)

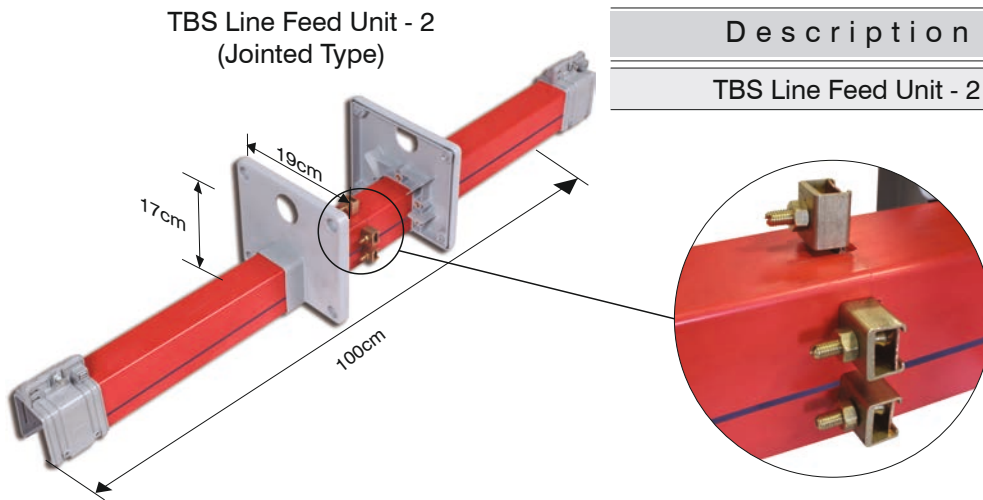


TBS Line Feed Unit - 1 (Continuous Type)

Description	Order Code
TBS Line Feed Unit - 1	3024458

The PVC housing of this unit has five holes along its length. The unit is suspended from the support by two suspension clamps. The continuous copper conductors are passed through the supply terminals which are then fixed to the conductors. The supply cables are then connected to the terminals.

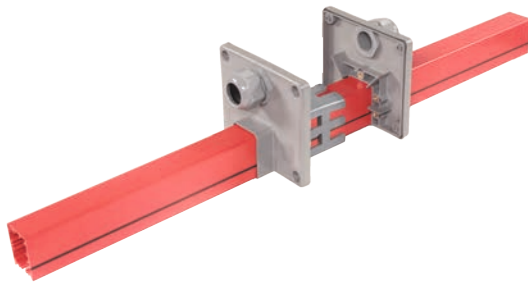
### TBS Line Feed Unit - 2 (Jointed Type)



Description	Order Code
TBS Line Feed Unit - 2	3024472

This unit consists of two 500mm pieces of PVC housing having five holes at their joint. The copper conductors project 25mm from the end of the housing, they are bent through 90° and clamped to the terminals. The supply cables are then connected to the terminals.

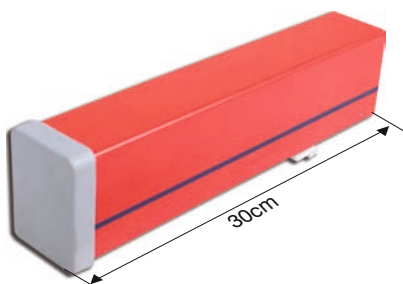
### TBS Repair Zone Unit



### TBS Repair Zone Unit

Description	Order Code
TBS Repair Zone Unit	3066696

### TBS End Closure

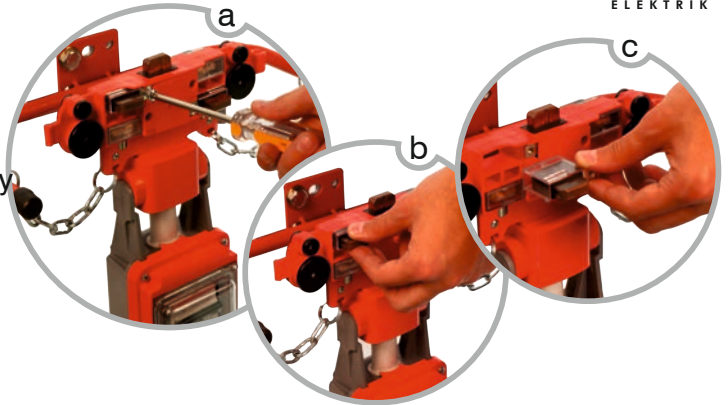


### TBS End Closure

Description	Order Code
TBS End Closure	3024419

## ▶▶ Current Collector Trolleys

- The trolley is moved by an arm mounted on the moving machine.
- The trolley moves together with the machine. Damaged or long service brushes can be easily replaced.



TB5-Y Current Collector (Single)

### TB5-Y Current Collectors with Cable (4P)

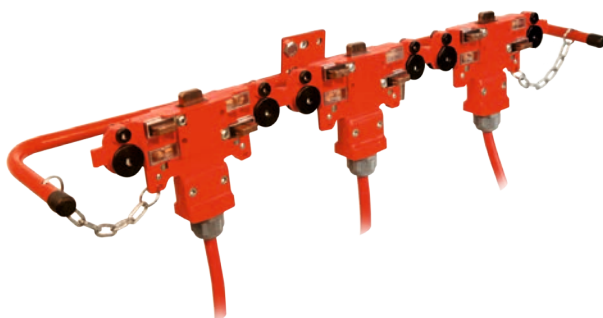
Description	Order Code
4P-35A TB5-Y Current Collector with Cable (Single)	3024385
4P-70A TB5-Y Current Collector with Cable (Double)	3024386
4P-105A TB5-Y Current Collector with Cable (Triple)	3024387



TB5-Y Current Collector (Double)

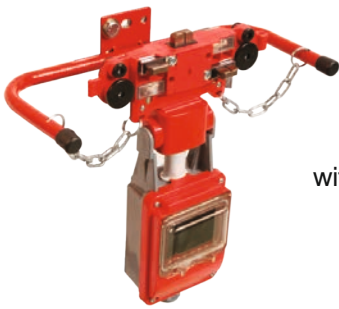
### TB5-Y Current Collectors with Cable (5P)

Description	Order Code
5P-35A TB5-Y Current Collector with Cable (Single)	3024376
5P-70A TB5-Y Current Collector with Cable (Double)	3024377
5P-105A TB5-Y Current Collector with Cable (Triple)	3024378



TB5-Y Current Collector (Triple)

- 4/5 X 4mm<sup>2</sup> ve 2m length cable standard at TB5-Y Current Collector.
- Used M25 Gland.



Current Collector with Fuse Box (Single)

### TB5-Y Current Collectors with Fuse Box (4P)

Description	Order Code
4P-35A TB5-Y Current Collector with Fuse Box (Single)	3024382
4P-70A TB5-Y Current Collector with Fuse Box (Double)	3024383
4P-105A TB5-Y Current Collector with Fuse Box (Triple)	3024384



Current Collector with Fuse Box (Double)

### TB5-Y Current Collectors with Fuse Box (5P)

Description	Order Code
5P-35A TB5-Y Current Collector with Fuse Box (Single)	3024373
5P-70A TB5-Y Current Collector with Fuse Box (Double)	3024374
5P-105A TB5-Y Current Collector with Fuse Box (Triple)	3024375



Current Collector with Fuse Box (Triple)



Current Collector with Clip (Single)

### TB5-Y Current Collectors with Clip (4P)

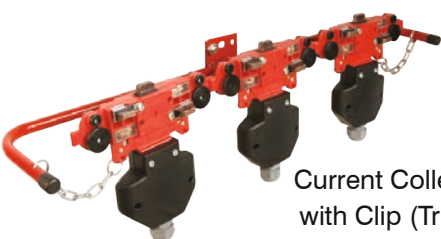
Description	Order Code
4P-35A TB5-Y Current Collector with Clip (Single)	3024388
4P-70A TB5-Y Current Collector with Clip (Double)	3024389
4P-105A TB5-Y Current Collector with Clip (Triple)	3024390



Current Collector with Clip (Double)

### TB5-Y Current Collectors with Clip (5P)

Description	Order Code
5P-35A TB5-Y Current Collector with Clip (Single)	3024379
5P-70A TB5-Y Current Collector with Clip (Double)	3024380
5P-105A TB5-Y Current Collector with Clip (Triple)	3024381



Current Collector with Clip (Triple)





TB5 Plastic Sliding Hanger

### TB5 Plastic Sliding Hanger

Description	Order Code
TB5 Plastic Sliding Hanger	1003664

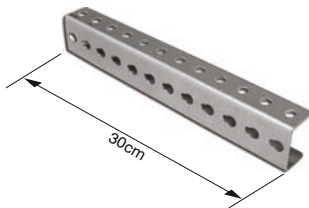


TB5 Steel Sliding Hanger

### TB5 Steel Sliding Hanger

Description	Order Code
TB5 ÇSteel Sliding Hanger	1005954

- 1000~1300 mm.: In all current levels at temperatures above 40° C
- 1300~1500 mm.: In all current levels at temperatures up to 40° C



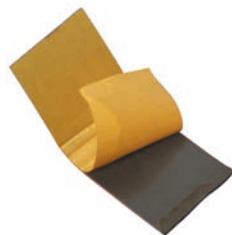
TB Hanger Bracket

### TB Hanger Bracket

Description	Order Code
TB Hanger Bracket	3025153



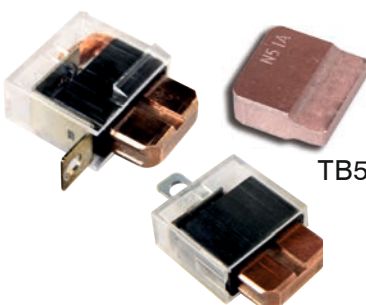
TBS Joint Unit



"Epdm" Gasket

### TBS Joint Unit

Description	Order Code
TBS Joint Unit	1003663



TB5 Current Collector Brushes

### TB5 Current Collector Brushes

Description	Order Code
TB5-Y Current Collector Phase Brush	3024371
TB5-Y Current Collector Neutral Brush	3024372
TB5 Current Collector Brush	1002256



TBS Conductor Mounting Tool

**TBS Conductor Mounting Tool**

Description	Order Code
TBS Conductor Mounting Tool	3024456



TB Conductor Casette

**TB Conductor Casette**

Description	Order Code
TB Conductor Casette	3025151



TB5 Rubber Gasket Mounting Tool

**TB5 Rubber Gasket Mounting Tool**

Description	Order Code
TB5 Rubber Gasket Mounting Tool	3024455



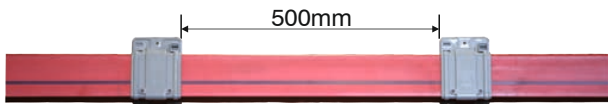
TB Gasket

**TB Gasket**

Description	Order Code
TB Gasket	1000810

This unit is used to remove an existing trolley or to add extra trolleys when more than one trolley is required on the run.

**⚠ Attention:** Power should be switched off before opening the busbar housing.

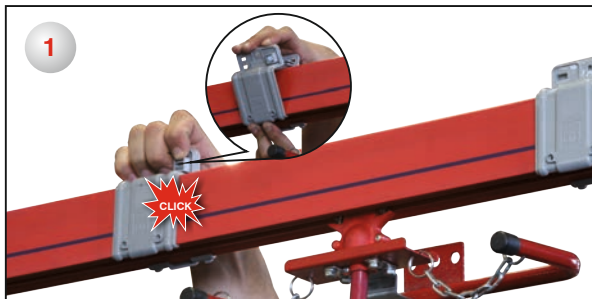


TBS Current Collector Replacement Module

### TBS Current Collector Replacement Module

Description	Order Code
TBS Replacement Module (1m)	3024471

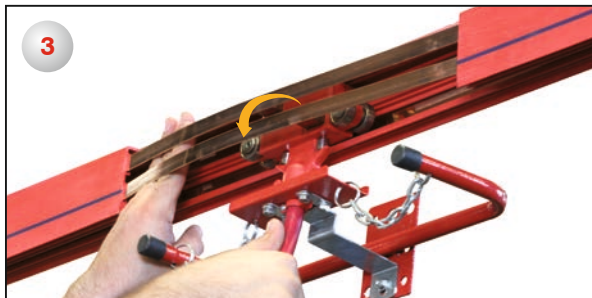
The unit is obtained by cutting a 50cm section from the PVC housing. The TBS current collector is aligned in between the joint units.



Remove the bolts of joint unit.



Remove PVC housing as shown.



Move the conductors by hand and remove the current collector from its location.



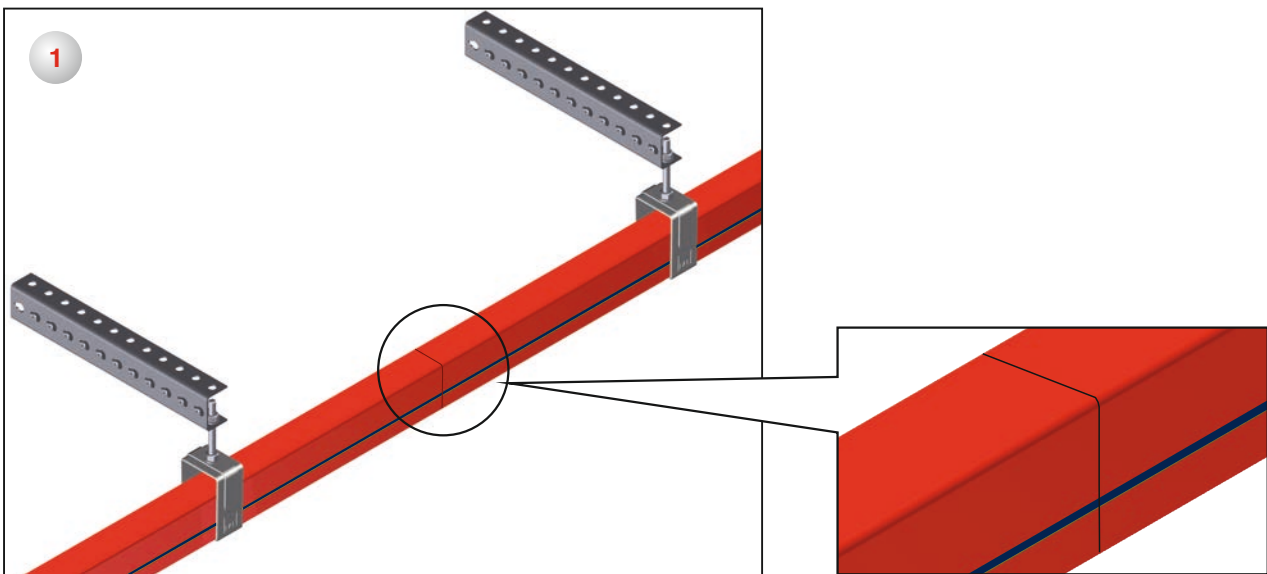
Apply same method in reverse in order to fix current collector again.

Hanger supports are fixed to the ceiling or joists along the run at 1,3m ~1,5m intervals. The sliding hangers are fitted to the hanger brackets.

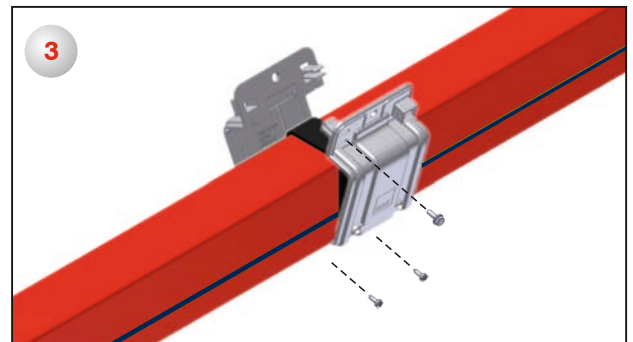
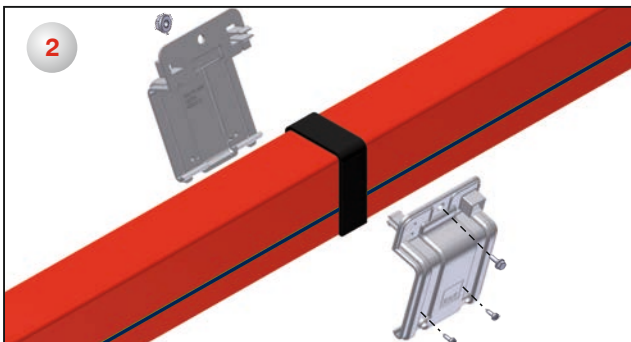


The 4 m long sections of the PVC housing with the conductors installed are clipped to the sliding hangers and

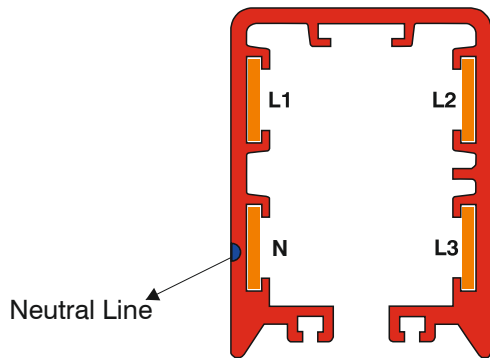
 **Attention:** Aligned by lining up the blue (neutral) line on the side of the housing.



The PVC housings are joined together using a self-adhesive “Epdm” gasket and joint unit. The jaws of the joint unit are inserted into each other and fixed by screws to the PVC housing

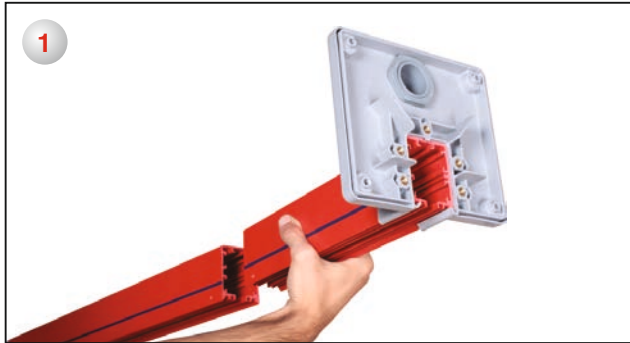


The copper conductors are supplied as a continuous roll and are fitted into the channels inside the housing using the fitting tools. In a four conductor system, they should be placed as shown.

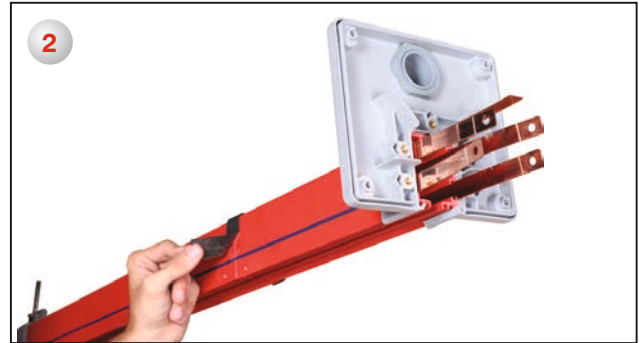


The location pin on the trolley should be aligned to the groove in the housing, this ensures that the trolley is mounted in the correct orientation.

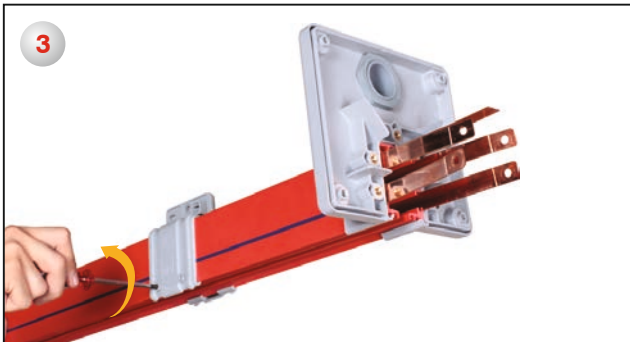
Copper conductors are fixed to each other at the joint point of unit.



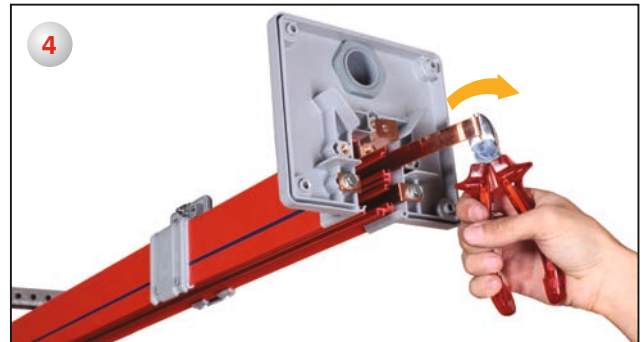
Feeder unit is aligned with main line.



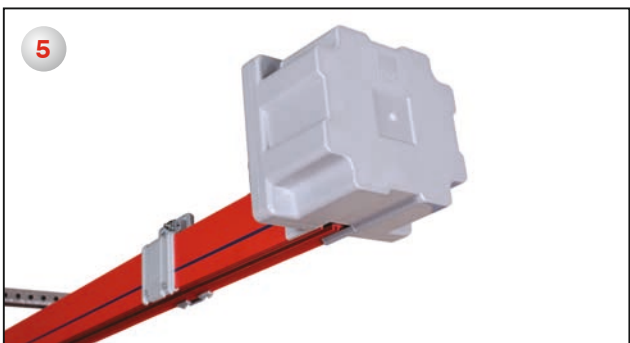
The joint point is covered using a self-adhesive EPDM gasket



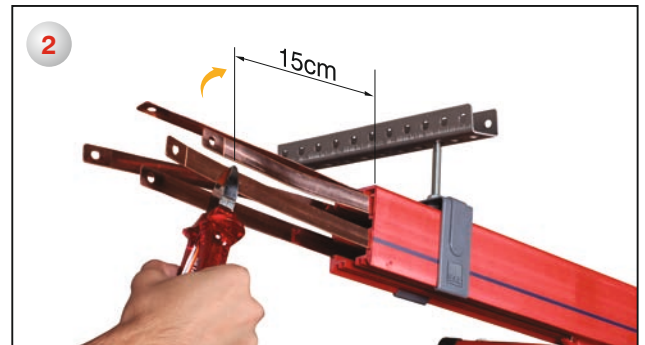
Screws on joint unit are tightened to the PVC housing.



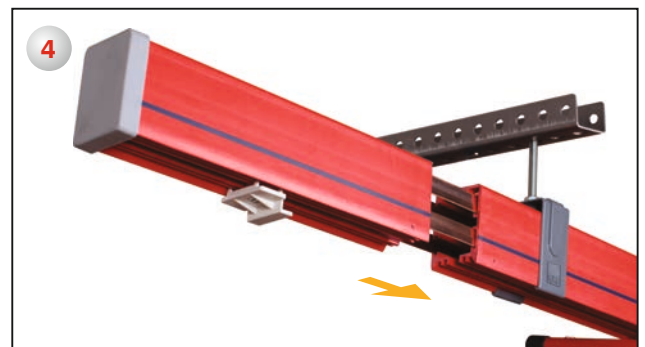
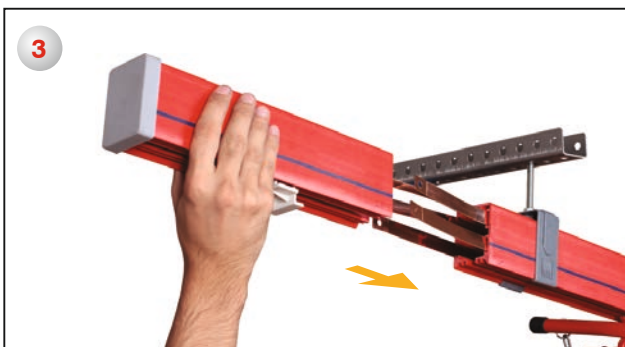
Conductors are bent 90° and pushed to PVC housing.



Cover of feeder unit is fixed by nuts. Installation is completed.



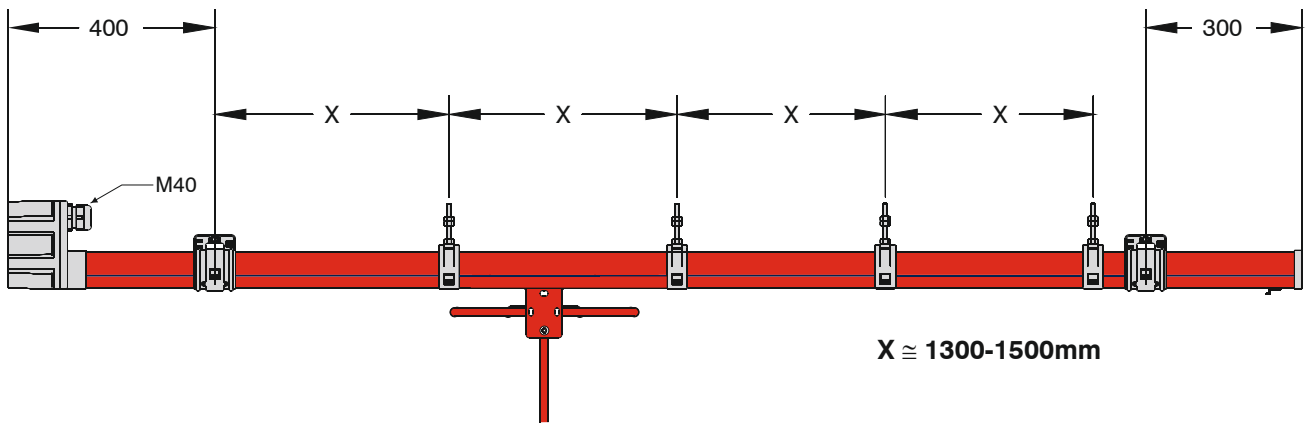
Cut the coppers at the line end before the finishing component is installed.



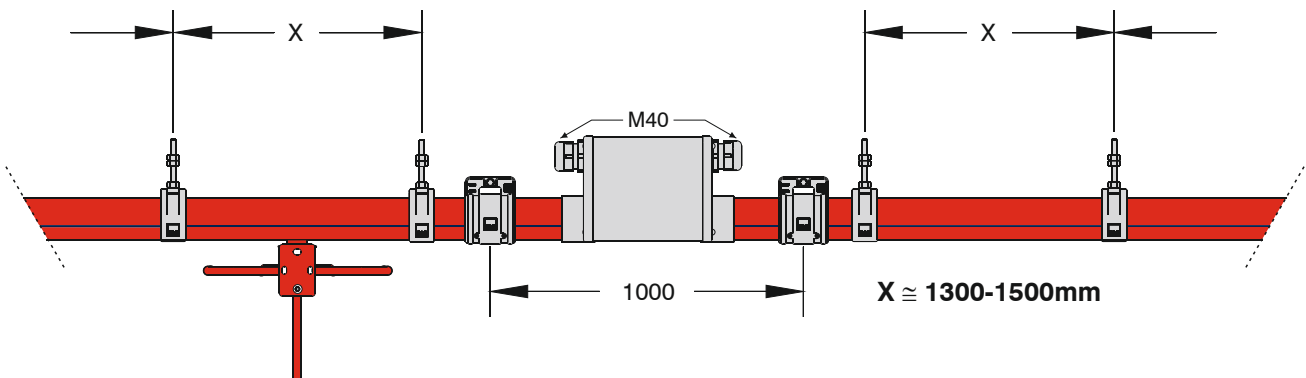
Current collector is placed inside the system, supplementary and finishing components are also installed.

### TBS Busbar Installation Example

Example with Feeder Unit



Example with Line Feed Unit






Component List	Quantity	
Item	Component	
Please duplicate this page for your own use.		

Company :  
Project :  
Project No :


Prepared by  
Name :  
Date :  
Signature :



Component List	Item	Component	Quantity
Please duplicate this page for your own use.			

Company :  
Project :  
Project No :

Prepared by  
Name :  
Date :  
Signature :



## ►► General Specifications

### Reliability;

This eliminates the possibility of accidents and malfunctions associated with moving cables.

### Personnel Safety;

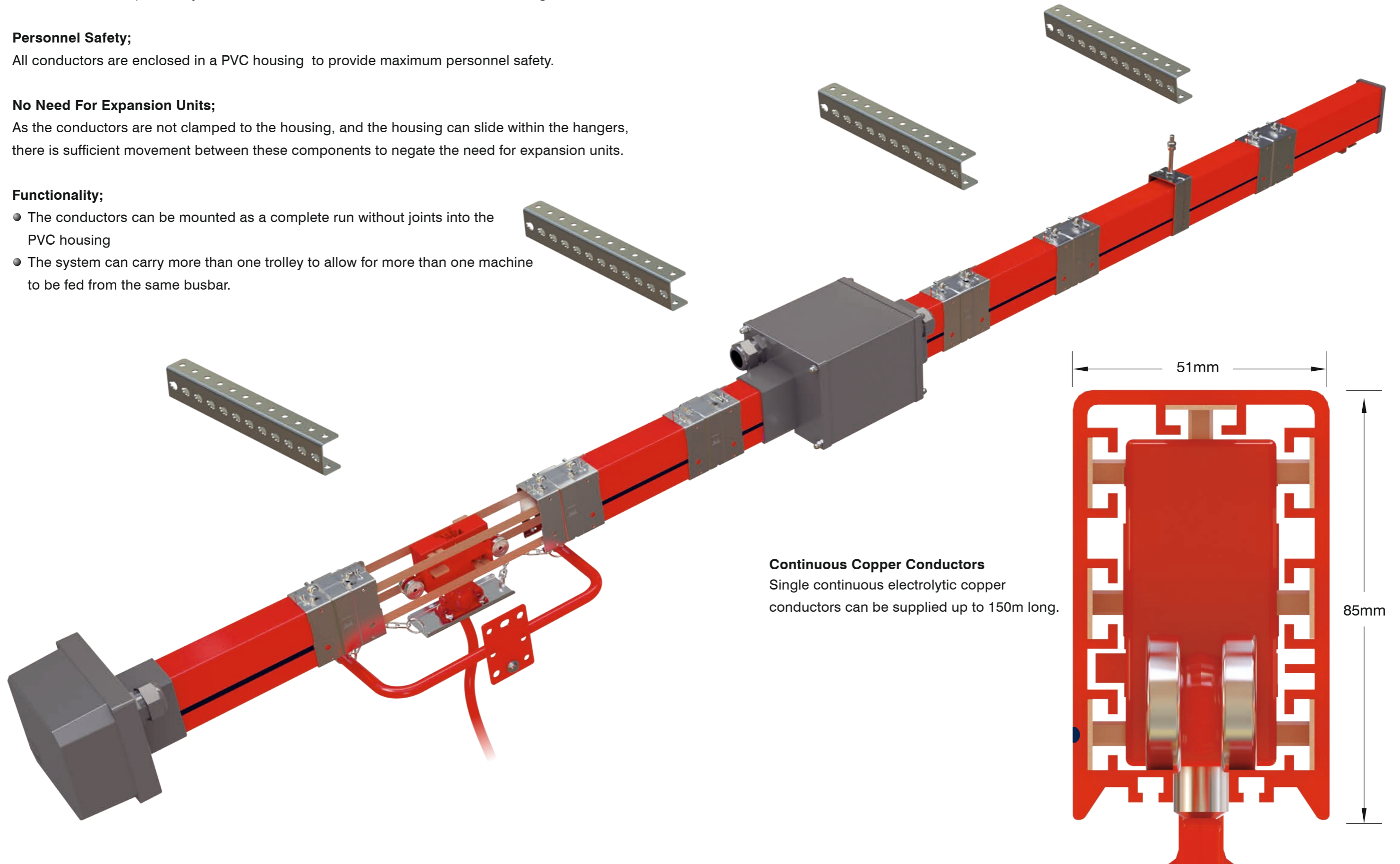
All conductors are enclosed in a PVC housing to provide maximum personnel safety.

### No Need For Expansion Units;

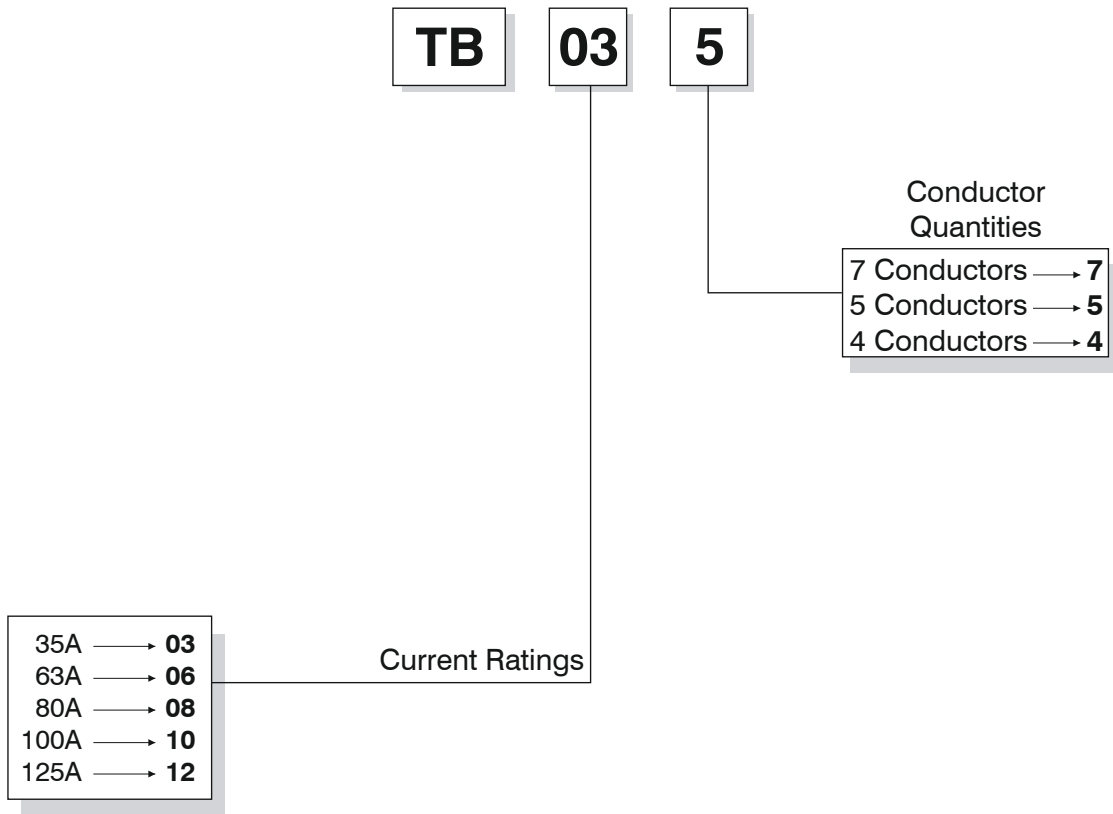
As the conductors are not clamped to the housing, and the housing can slide within the hangers, there is sufficient movement between these components to negate the need for expansion units.

### Functionality;

- The conductors can be mounted as a complete run without joints into the PVC housing
- The system can carry more than one trolley to allow for more than one machine to be fed from the same busbar.



**Continuous Copper Conductors**  
Single continuous electrolytic copper conductors can be supplied up to 150m long.



## ►► Technical Features

Rated Current	(A)	35	63	80	100	125	160	200	250
Conductor Quantities	(Pcs)	4	4	4	4	4	7	7	7
Rated Voltage	(AC) (V)	400	400	400	400	400	400	400	400
Dielectric Properties	(kV/mm)	30	30	30	30	30	30	30	30
Frequency	(Hz)	50/60	50/60	50/60	50/60	50/60	50/60	50/60	50/60
Resistance (20°C)	R <sub>20</sub> (mΩ/m)	2,736	1,709	1,371	0,913	0,678	0,667	0,452	0,343
Resistance (35°C)	R <sub>35</sub> (mΩ/m)	2,845	1,824	1,415	0,932	0,719	0,707	0,524	0,489
Reactance	X (mΩ/m)	0,138	0,129	0,127	0,144	0,132	0,089	0,069	0,058
Impedance	Z (mΩ/m)	2,754	1,723	1,384	0,922	0,688	0,708	0,461	0,349
Standard Length	(m)	4	4	4	4	4	4	4	4

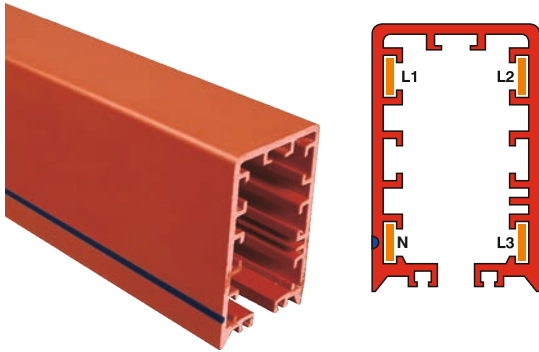
## ▶▶ TB PVC Housing

Housing has 7 channels for upto 7 conductors as standard.

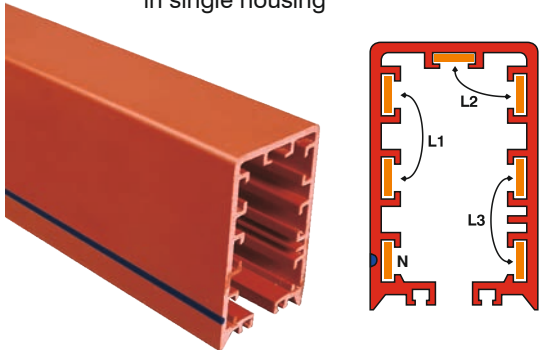
There is a safety system which prevents the trolley from being mounted incorrectly.

- 4, 5 or 7 conductors can be utilized.
- Colour: **Red**.
- Temperature range: -20 °C and +55 °C.
- The blue line on one side of the housing indicates the neutral position.
- PVC housing has high impact strength and non flammable characteristics.
- Standard housing length is 4m.

## ▶▶ TB Trolley Busbar



4m. Standard, 4 Conductors in single housing



4m. Standard, 7 Conductors in single housing

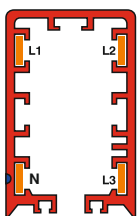
### TB Trolley Busbar (4P)

Description			Order Code
TB 034	4P-35A	Trolley Busbar	3025004
TB 064	4P-63A	Trolley Busbar	3025005
TB 084	4P-80A	Trolley Busbar	3025006
TB 104	4P-100A	Trolley Busbar	3025007
TB 124	4P-125A	Trolley Busbar	3025008

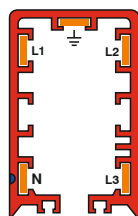
### TB Trolley Busbar (7P)

Description			Order Code
TB 167	7P-160A	Trolley Busbar	3025009
TB 207	7P-200A	Trolley Busbar	3025010
TB 257	7P-250A	Trolley Busbar	3025011

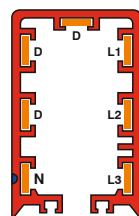
Many current combinations and various methods of use can be formed with this Trolley Busbar.



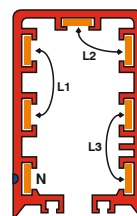
Standard 4 conductor



Optional 5 conductor



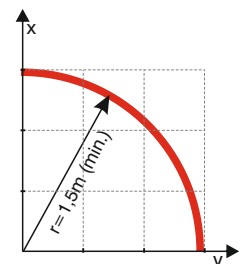
Optional 7 conductor; 3 phase + neutral + 3 conductor for data



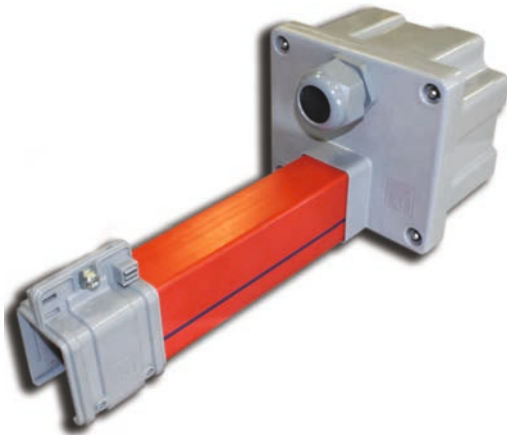
Standard 7 conductor; parallel 2 conductors per each phase + neutral

## ▶▶ Radius Trolley Busbar

It has minimum 1.5m radius Trolley Busbar available in vertical axes.



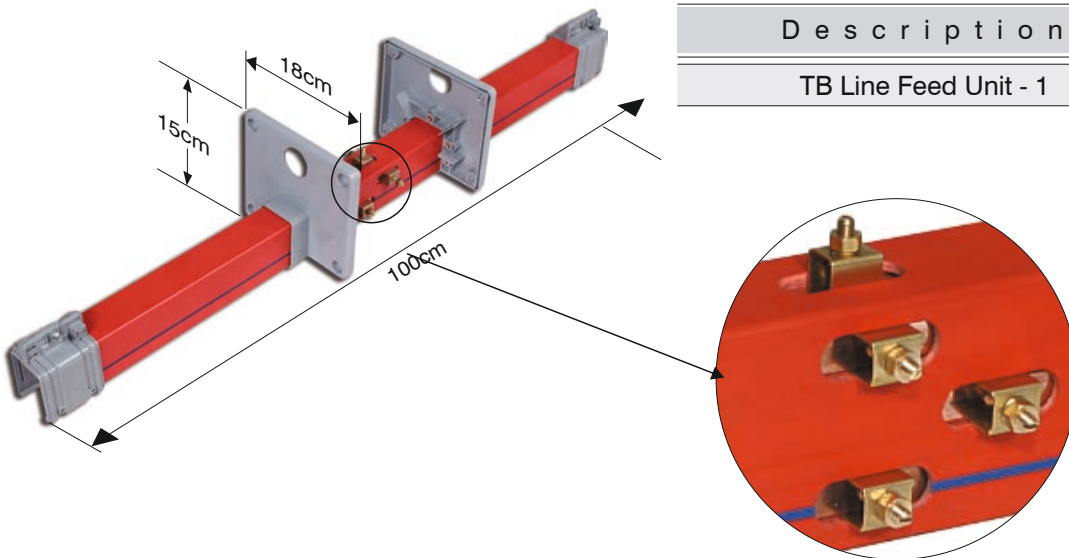
TB Feeder Unit



**TB Feeder Unit**

Description	Order Code
TB Feeder Unit	3025149

TB Line Feed Unit - 1  
(Continuous Type)

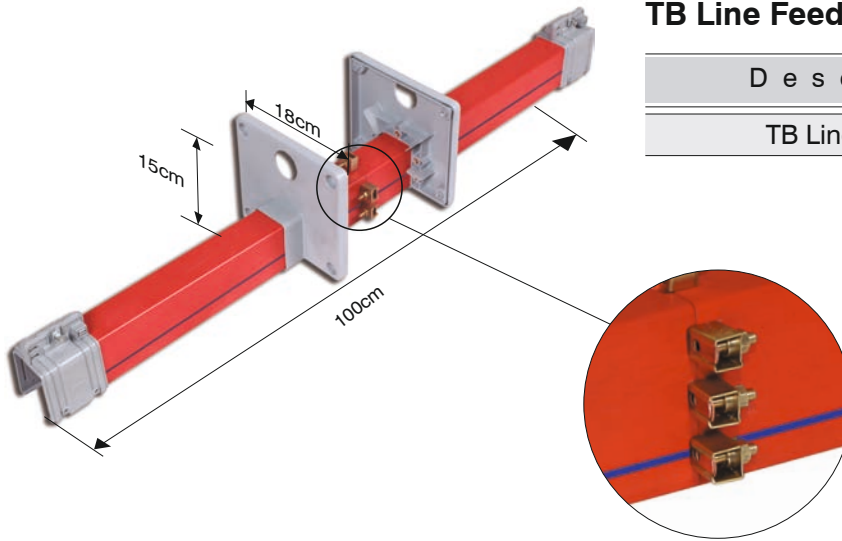


**TB Line Feed Unit - 1 (Continuous Type)**

Description	Order Code
TB Line Feed Unit - 1	3025148

The PVC housing of this unit has five holes along its length. The unit is suspended from the support by two suspension clamps. The continuous copper conductors are passed through the supply terminals which are then fixed to the conductors. The supply cables are then connected to the terminals.

TB Line Feed Unit - 2  
(Jointed Type)

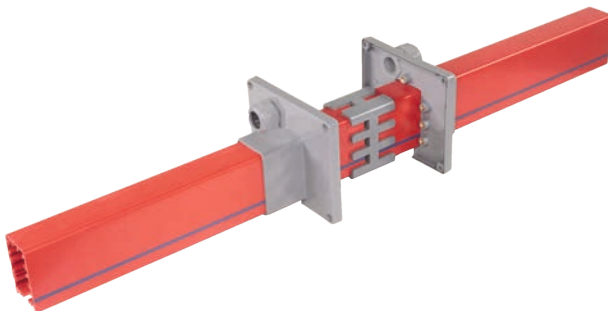


**TB Line Feed Unit - 2 (Jointed Type)**

Description	Order Code
TB Line Feed Unit - 2	3025150

This unit consists of two 500mm pieces of PVC housing having seven holes at their joint. The copper conductors project 25mm from the end of the housing, they are bent through 90° and clamped to the terminals. The supply cables are then connected to the terminals.

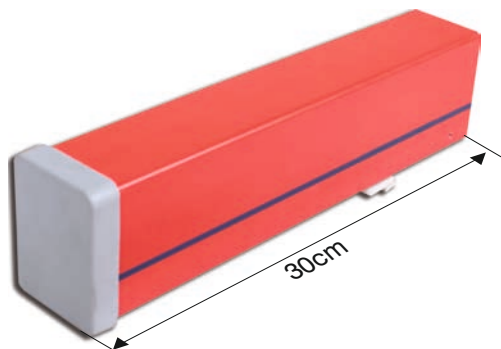
TB Repair Zone Unit



**TB Repair Zone Unit**

Description	Order Code
TB Repair Zone Unit	3025003

TB End Closure



**TB End Closure**

Description	Order Code
TB End Closure	3025147

- The trolley is moved by an arm mounted on the moving machine.
- The trolley moves together with the machine. Damaged or long service brushes can be easily replaced.
- 4/7 X 4mm<sup>2</sup> ve 2m length cable standard at TB Current Collector.



### TB Current Collector (4P)

Description	Order Code
4P-16A TB Current Collector with Round Brushes	3024774



### TB Current Collector (5P)

Description	Order Code
5P-35A TB Current Collector with Fuse Box	3024403



### TB Current Collectors (4P/7P) (Single)

Description	Order Code
4P-35A TB Current Collectors (Single)	3025145
7P-35A/70A TB Current Collectors (Single)	3025144



### TB Current Collectors (4P/7P) (Double)

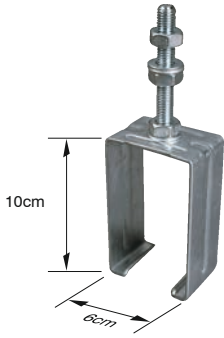
Description	Order Code
4P-70A TB Current Collectors (Double)	3024947
7P-70A/140A TB Current Collectors (Double)	3024946



### TB Current Collectors (4P/7P) (Triple)

Description	Order Code
4P-105A TB Current Collectors (Triple)	3024945
7P-105A/210A TB Current Collectors (Triple)	3024944





TB Sliding Hanger

**TB Sliding Hanger**

Description	Order Code
TB Sliding Hanger	1004257

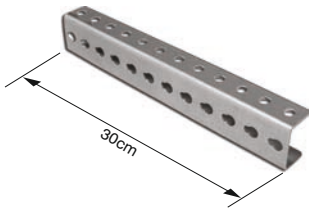


TB Steel Sliding Hanger

**TB Steel Sliding Hanger**

Description	Order Code
TB Steel Sliding Hanger	1006055

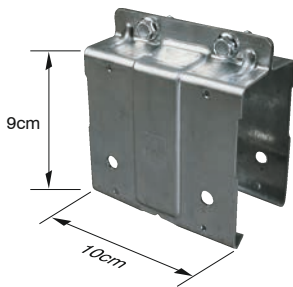
- 1000~1300mm: In all current levels at temperatures above 40° C
- 1300~1500mm: In all current levels at temperatures up to 40° C



TB Hanger Bracket

**TB Hanger Bracket**

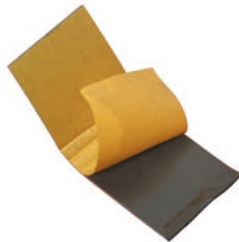
Description	Order Code
TB Hanger Bracket	3025153



TB Joint Unit

**TB Joint Unit**

Description	Order Code
TB Joint Unit	1004256



"Epdm" Gasket



TB Current Collector Brushes

**TB Current Collector Brushes**

Description	Order Code
TB Current Collector Brushes	2011161



TB Conductor Mounting Tool

**TB Conductor Mounting Tool**

Description	Order Code
TB Conductor Mounting Tool	3025143



TB Conductor Casette

**TB Conductor Casette**

Description	Order Code
TB Conductor Casette	3025151



TB Rubber Gasket Mounting Tool

**TB Rubber Gasket Mounting Tool**

Description	Order Code
TB Rubber Gasket Mounting Tool	3024943



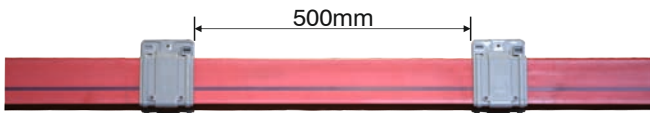
TB Rubber Gasket

**TB Rubber Gasket**

Description	Order Code
TB Rubber Gasket	1000810

This unit is used to remove an existing trolley or to add extra trolleys when more than one trolley is required on the run.

**Attention:** Power should be switched off before opening the busbar housing.



TB Current Collector Replacement Module

### TB Current Collector Replacement Module

Description	Order Code
TB Replacement Module (1m)	3024593

The unit is obtained by cutting a 500mm section from the PVC housing. The TB current collector is aligned in between the joint units.



1 Remove the bolts of joint unit.



2 Remove PVC housing as shown.

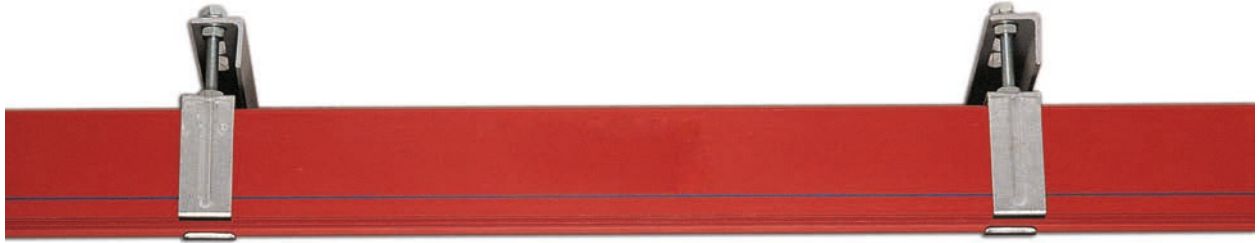


3 Move the conductors by hand and remove the current collector from its location.



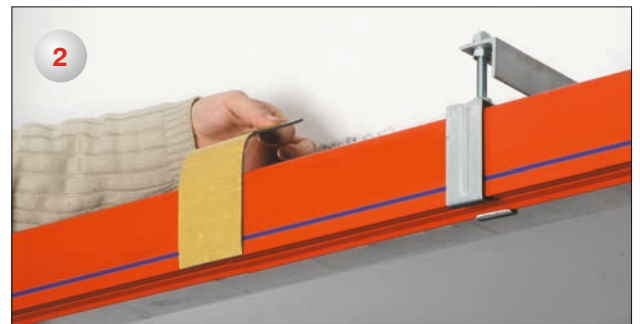
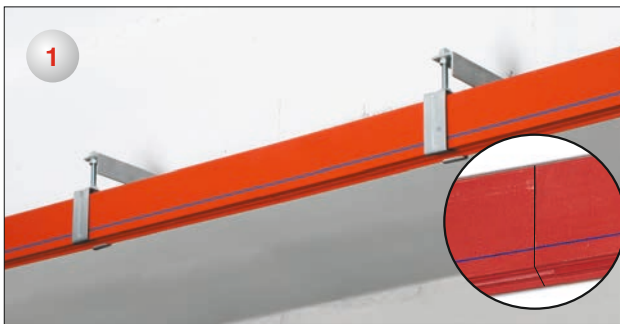
4 Apply same method in reverse in order to fix current collector again.

Hanger supports are fixed to the ceiling or joists along the run at 1,3m ~1,5 m intervals. The sliding hangers are fitted to the hanger brackets.

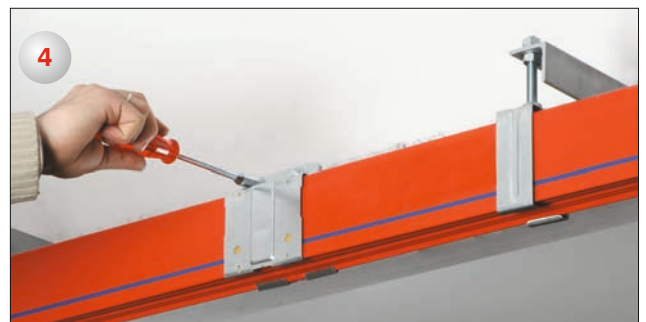


The 4 m long sections of the PVC housing with the conductors installed are clipped to the sliding hangers.

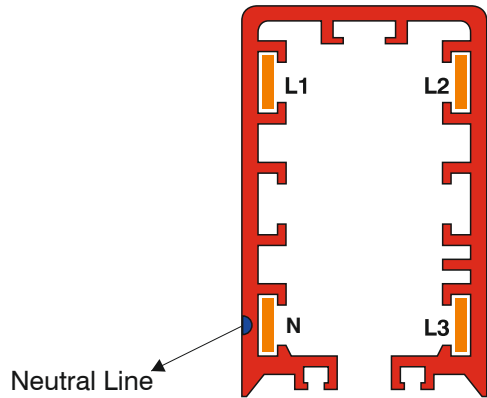
 **Attention:** Aligned by lining up the blue (neutral) line on the side of the housing.



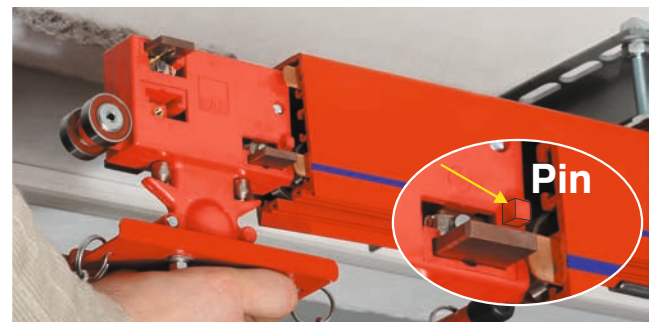
The PVC housings are joined together using a self-adhesive “Epdm” gasket and joint unit. The PVC housing sections are butted together and held using a self-adhesive gasket.



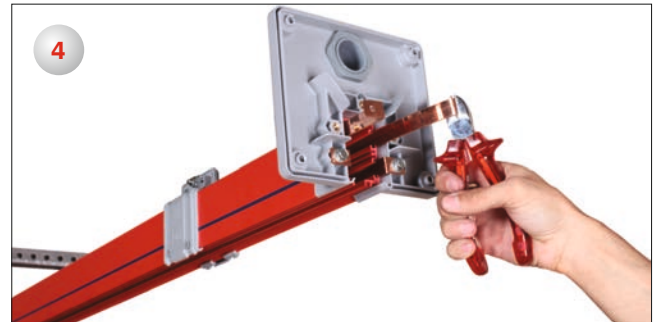
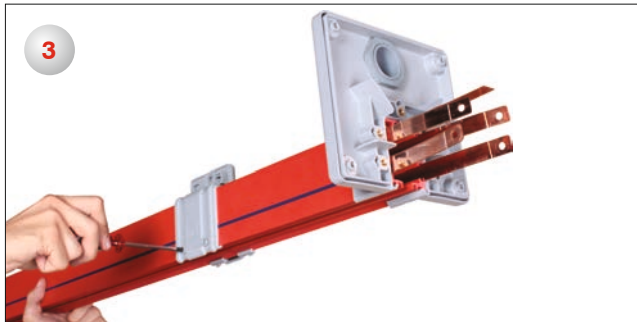
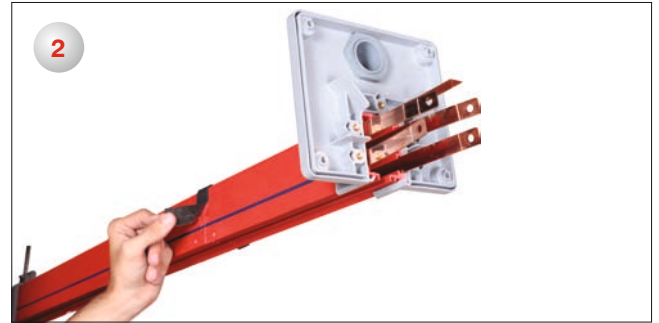
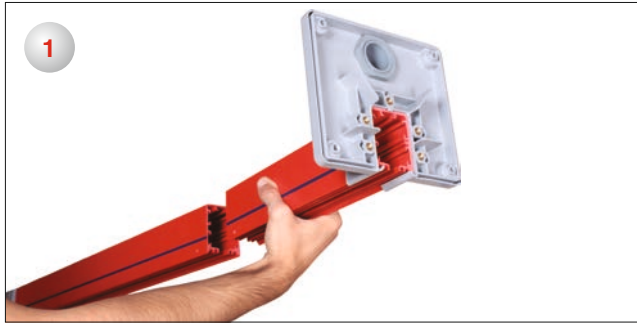
The copper conductors are supplied as a continuous roll and are fitted into the channels inside the housing using the fitting tools. In four conductor system, they should be placed as shown.



The location pin on the trolley should be aligned to the groove in the housing, this ensures that the trolley is mounted in the correct orientation.



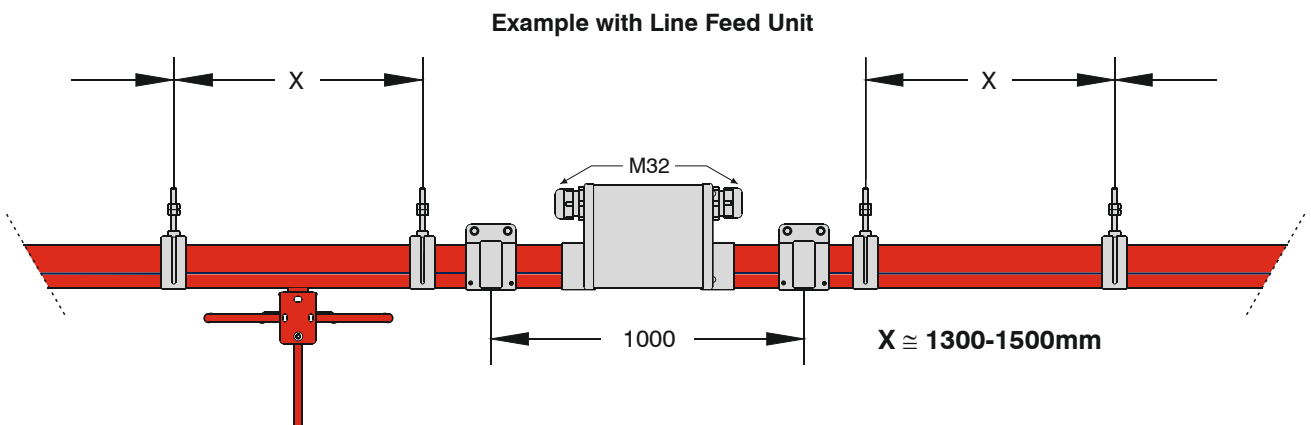
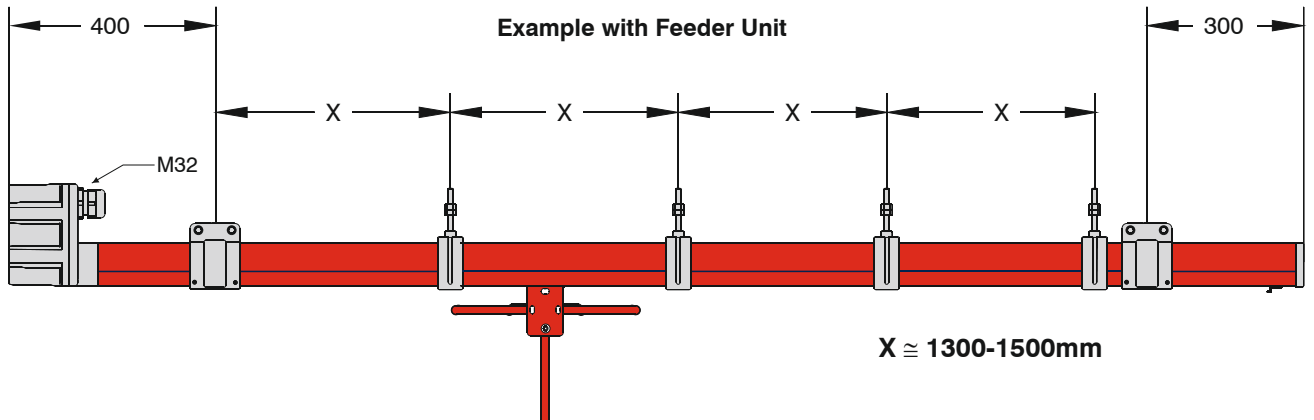
Head supply component is mounted to the system and copper conductors are applied to the connection points inside the supply component.



Cut the coppers at the line end before the finishing component is installed. Current collector is placed inside the system, supplementary and finishing components are also installed.



### TB Busbar Installation Example



## ▶▶ KT Galvanize Steel Housing Trolley Busbar

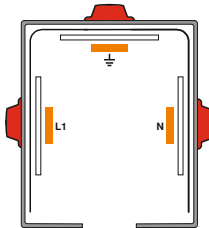
Housing has 3 conductors as standard.

- Temperature range: -20 °C and +55 °C.
- Standard housing length is 2.5m.
- For special lengths please call us.

## ▶▶ KT Trolley Busbar

### KT Trolley Busbar (3P)

Description		Order Code
3P-100A	KT Trolley Busbar	3025172

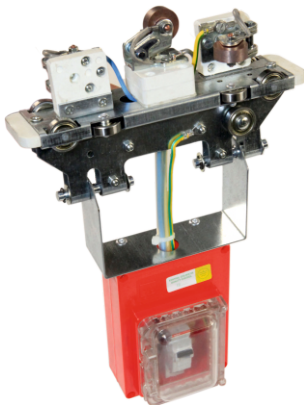


2.5m Standard, 3 Conductors  
in single housing

### KT Special Length Trolley Busbar (3P)

Description		Order Code
3P-100A	KT Special Length Trolley Busbar	3025139

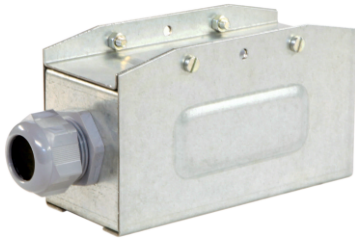
## ▶▶ KT A3 Current Collector



### KT A3 Current Collector (3P)

Description		Order Code
3P-25A	KT A3 Current Collector	3025166

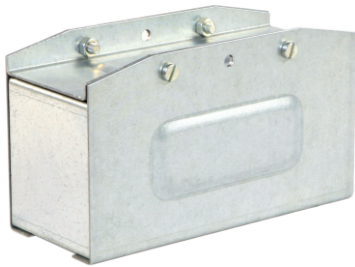




KT Feeder Unit

**KT Feeder Unit**

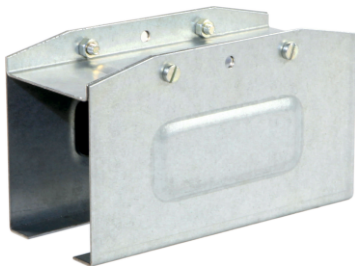
Description	Order Code
KT Feeder Unit	3025171



KT End Closure

**KT End Closure**

Description	Order Code
KT End Closure	3025170



KT Joint Unit

**KT Joint Unit**

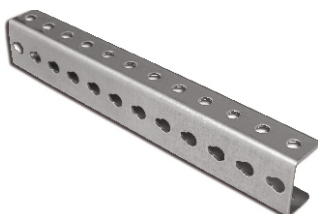
Description	Order Code
KT Joint Unit	2011166



KT Sliding Hanger

**KT Sliding Hanger**

Description	Order Code
KT Sliding Hanger	3025169



TB Hanger Bracket

**TB Hanger Bracket**

Description	Order Code
TB Hanger Bracket	3025153

## CE DECLARATION OF CONFORMITY

**Product Group** E-Line TB Trolley Busbar Systems

**Manufacturer** EAE Elektrik Asansor End. Insaat San. ve Tic. A.S.  
Akcaburgaz Mahallesi, 3114. Sokak,  
No:10 34522 Esenyurt-Istanbul

The objects of the declaration described below is in conformity with the relevant Union harmonisation legislation. This declaration of conformity is issued under the sole responsibility of the manufacturer.

**Standard :**

**EN 61439-6**

Low-voltage switchgear and controlgear assemblies - Part 6: Busbar trunking systems

**CE - Directive**

2014/35/EU "The Low Voltage Directive"

**Date**

20.04.2016

**EAE Elektrik A.Ş.**



**EAE Elektrik Asansor End. Insaat San. ve Tic. A.S.**

Akcaburgaz Mahallesi, 3114. Sokak, No:10 34522 Esenyurt-Istanbul  
Tel: +90 (212) 866 20 00 Fax: +90 (212) 886 24 20 <http://www.eae.com.tr>



EAE Elektrik A.Ş.  
Akçaburgaz Mahallesi,  
3114. Sokak, No:10 34522  
Esenyurt - İstanbul - TURKEY  
Tel: +90 (212) 866 20 00  
Fax: +90 (212) 886 24 20

Please visit our website for the updated version of our catalogues.  
[www.eae.com.tr](http://www.eae.com.tr)



Catalogue 08-Eng. / Rev 03 2.000 Pcs. 09/03/2017  
F.A.

EAE has full right to make any revisions or changes on this catalogue without any prior notice.