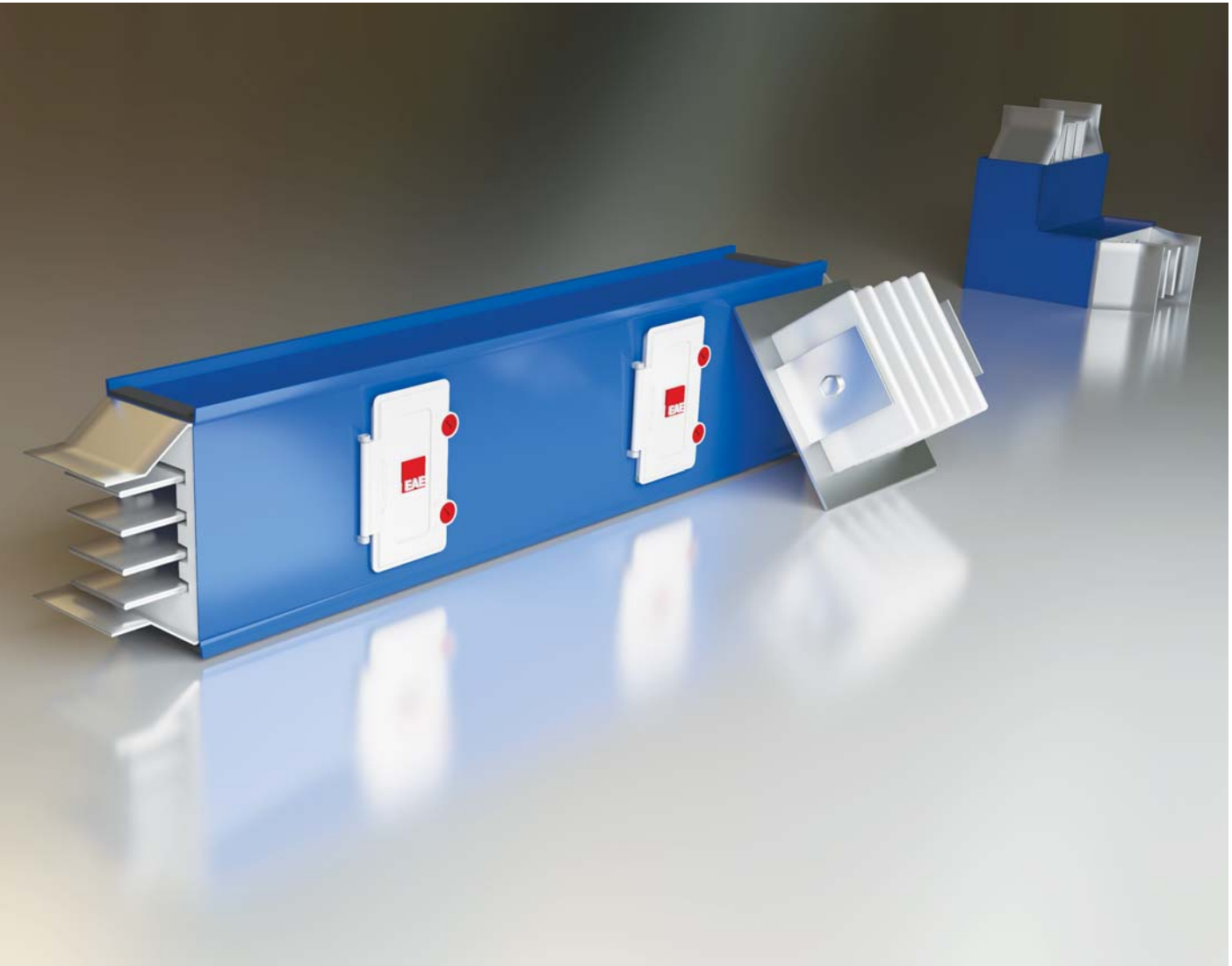


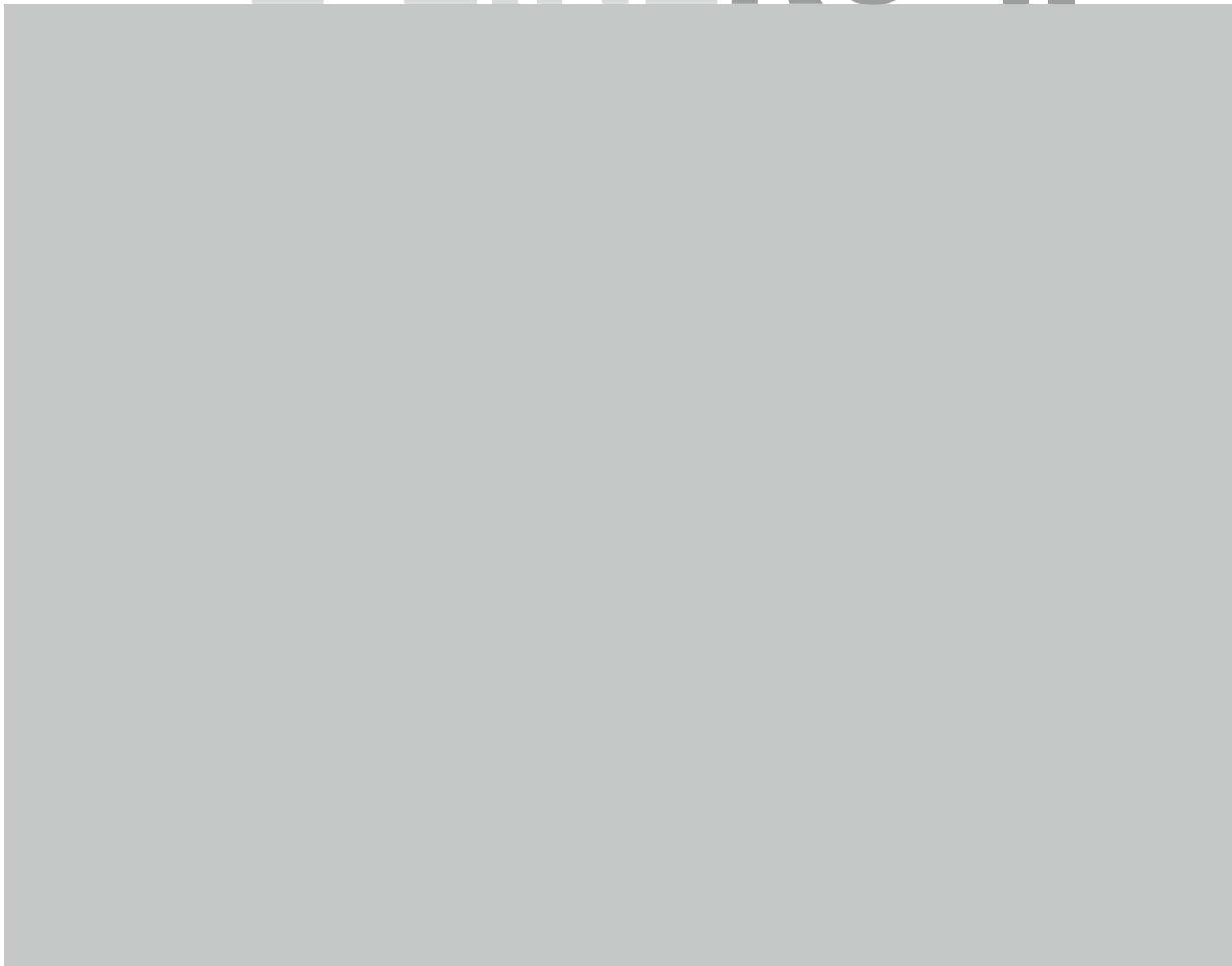


E-LINEKO-II

Busbar Systems 160...800 A



E-LINEKO-II



CONTENTS

►► E-LINE KO-II

Introduction	2-3
Design	4
Order Code System	5
Technical Characteristics	6
Standard Components	7
Elbows	8-11
Standard Components	12-13
Feeder Boxes	14-16
Selection Of Feeder Boxes	17
Panel Connections	18
Tap-off Boxes	19-22
Fixing Elements	23-25
Vertical and Horizontal Busbar Applications	26-27
Expansion Modules Application	28
Fire Barrier	29
Determination of Special Length	29
Installation of End Closer	30
Mounting Instructions for Joints	30
EC Declaration Of Conformity	31
Certificates	32
Product Overview	33
Project Design Form	34

►► Introduction

E-Line KO-II Busbar System distributes electrical power, both vertically and horizontally at premises where there is a need for electrical power 160 A and 800 A.

It provides a prefabricated and flexible electrical distribution system for all factories engaged in mass production, like automobile plants, textile plants, furniture factories and for buildings where there is a need for a reliable power supply such as business centres, hotels, hospitals, warehouses and all high rise buildings.

● **Fast, Flexible Engineering**

The large number of tap-off points makes it possible to engineer the power supply systems at an early stage, even before the final distribution of loads is known.

● **Fast and Easy Mounting**

Power is easily supplied to machines by **E-Line KO-II**. The installation of the system does not require any expertise. Supports and accessories are available for mounting the system either from the ceiling or the wall.

● **Safe Power Distribution and Transportation**

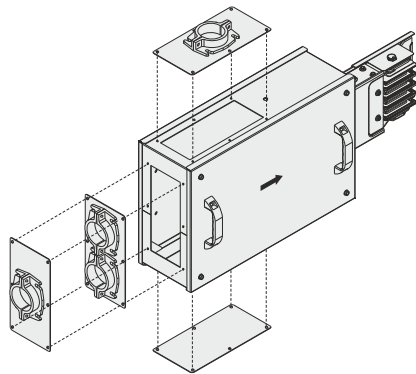
E-Line Busbar Systems increase personnel safety by their special features.

● **Lower Total Installed Cost**

Total Busbar material and installation costs are often equal to or less than cable and conduit.

● **Flexible Power Supply**

Tap-off points at short intervals make electrical power available in all locations, the power supply can be adapted to different production processes simply by relocating the tap-off units. Being built up of basic elements, it can at any time be extended, modified, dismantled and re-used.



● **Safe Power Take Off**

The earth of the tap-off box makes contact with the busbar first and ensures the safety of the box and the system that's been fed.

● **Modern Appearance**

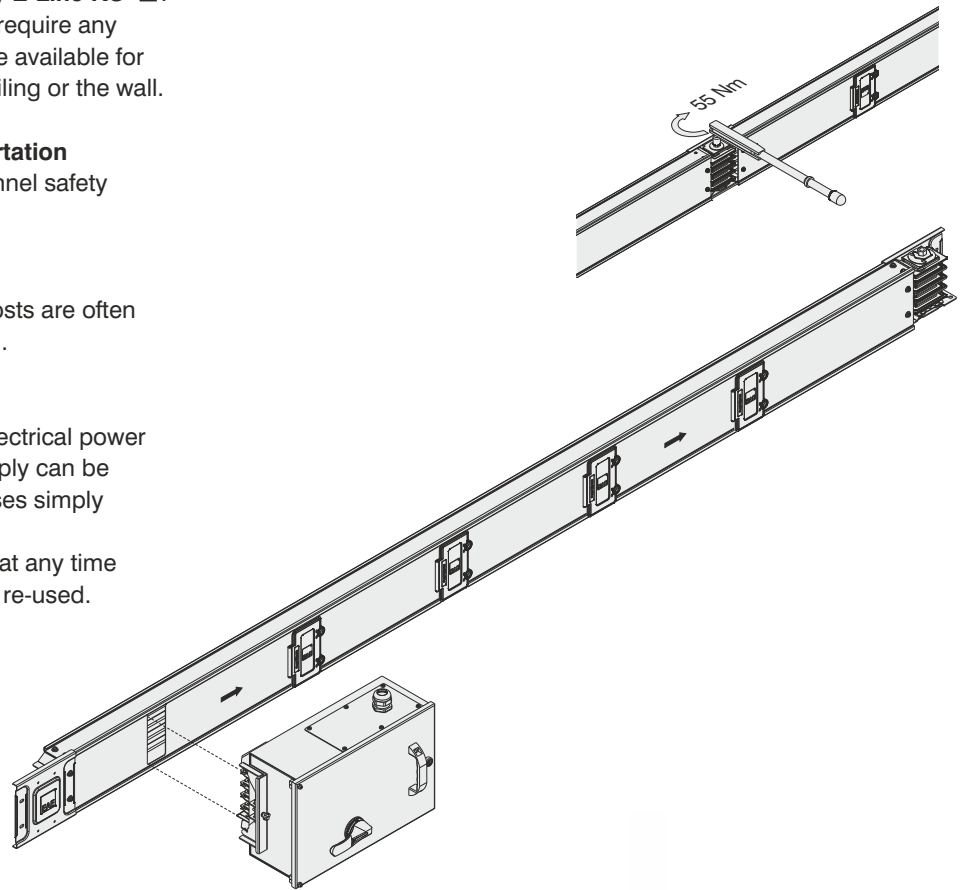
Other than its functional advantages **E-Line KO-II** busbar system also creates a modern appearance in buildings where it is used.

● **Lower Life Cycle Cost**

Busbar components can be added, removed or relocated after the initial installation, saving time and money.

● **Tap-off Points**

Power can only be supplied by **E-Line KO-II** tap-off boxes. Where necessary the unused tap-off points can be restricted by sealing. Dust covers protect the system from any accidental contact and also prevent the ingress of pollutants from the environment.

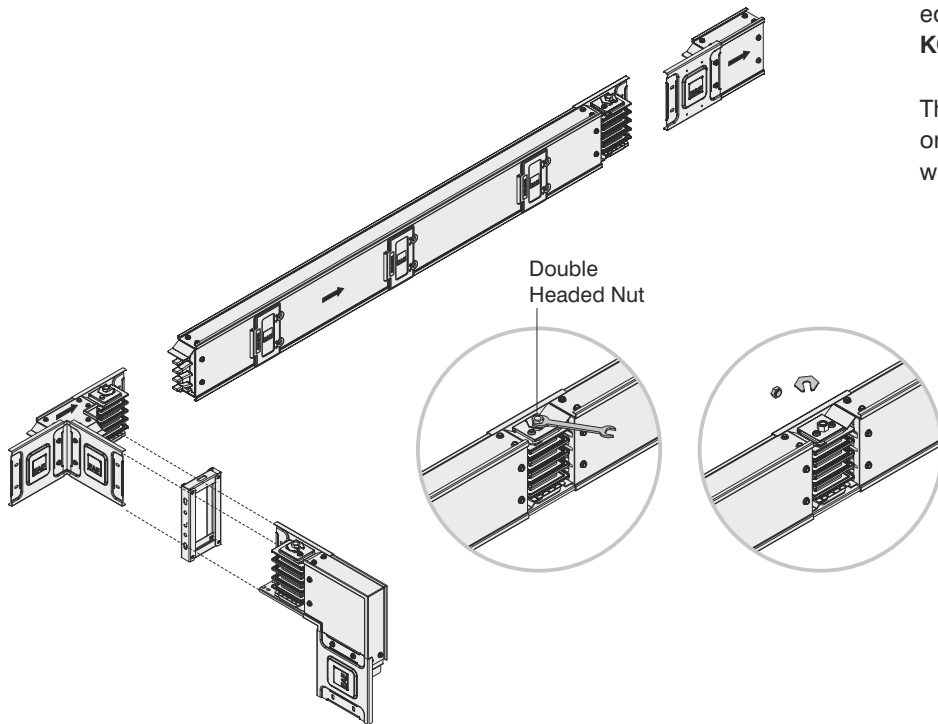


● **Conductors**

- Copper and Aluminium conductors are tin plated along their length.
- Cross-section of neutral conductor is the same as the phase conductors.
- Upon request the **KO-II** range can also be manufactured with 5 conductors.

● “One Bolt Joint”

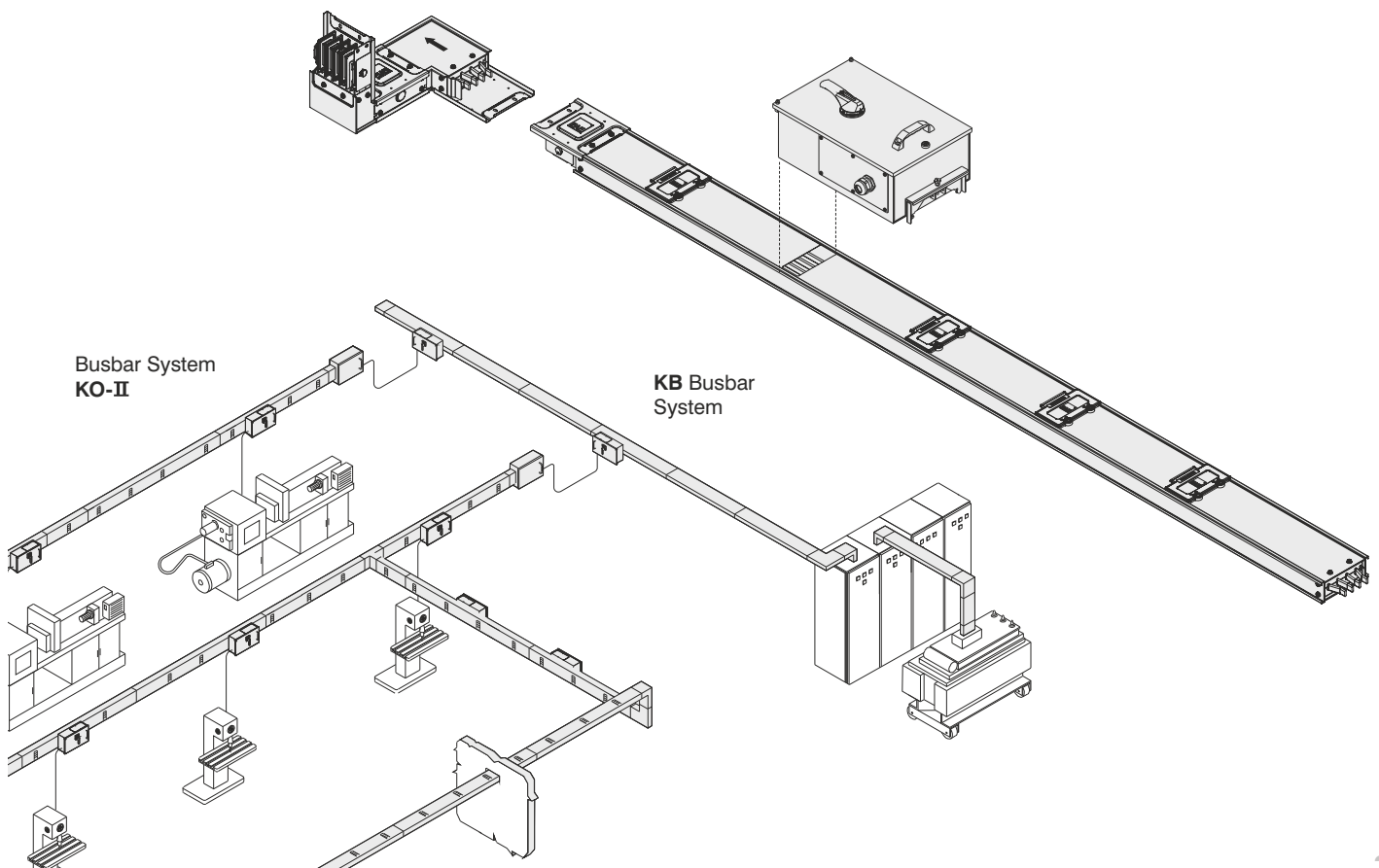
E-Line KO-II Busbars are easily installed by tightening the “one bolt joint”. Belleville spring washers on both ends of the bolt retains the original contact pressure ensuring a more secure and reliable joint.



● Tap-off Boxes

Power upto 400A can be supplied by tap-off boxes. Standard tap-off boxes are equipped with an interlock mechanism which prevents the cover of tap-off boxes from being opened before the power is turned off. Tap-off boxes are easily mounted on the busbar without any additional mounting equipment. Tap off boxes are fixed to **E-Line KO-II** Busbar by integral fixing clamps.

The standard tapoff boxes with fused switches or MCCBs cannot be removed from the busbar with the tap off box on load.



►► Design

While designing an electrical distribution system with E-Line KO-II a few approximate details will be necessary.

- Location, number, type and approximate ratings of loads,
- Transformer rates and short-circuit capacities,
- Utilization factor = a
- System co-ordination with other distribution systems (heat, water, etc.)
- Determining the route of **E-Line KO-II** on layouts, Deciding on suitable supports,
- If necessary, co-ordination of **E-Line KB** and **E-Line MK-KAP** with **E-Line KO-II** runs.

Rated Current

The current is calculated using the following equation.

$$I_B = \frac{Pa}{\sqrt{3} \cdot U \cdot \cos \phi}$$

I_B = Operating Current (A)

P = Installed Load (W)

a = Utilization Factor

U = Supply Voltage

- Busbar Current rating is chosen as equal to or higher than the calculated I_B current.
- After the voltage drop calculation if the chosen current rating is too low, a higher rating should be selected.

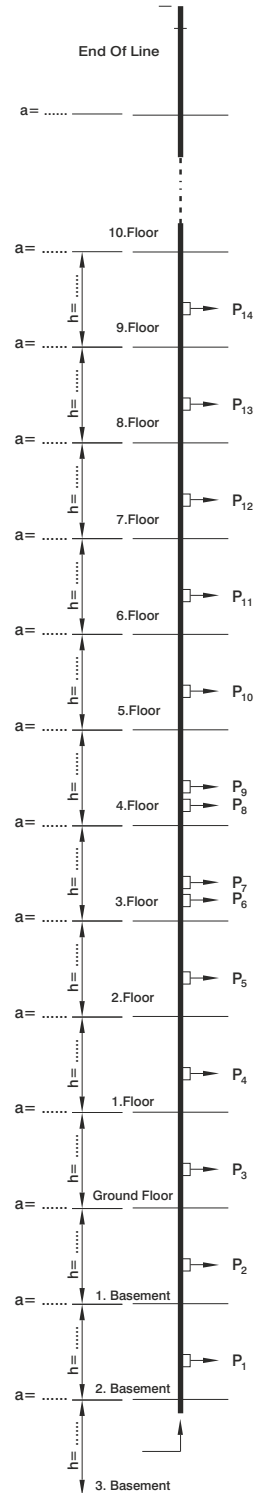
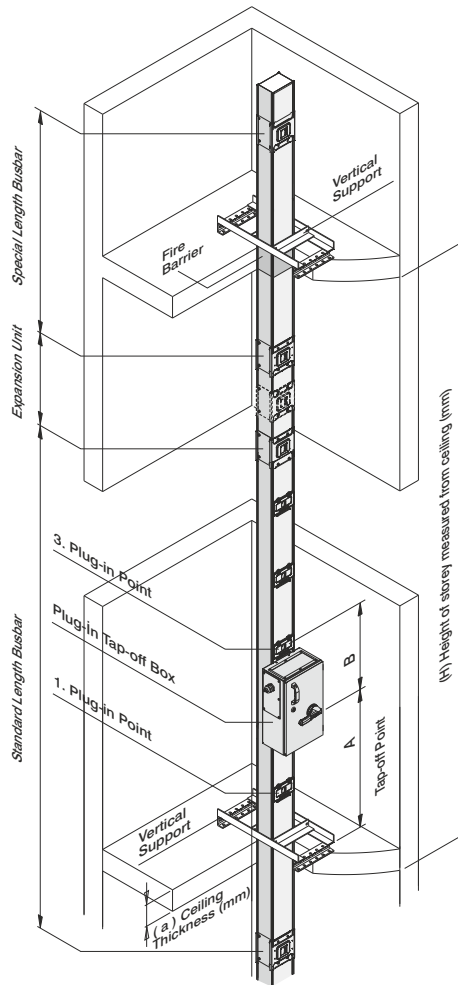
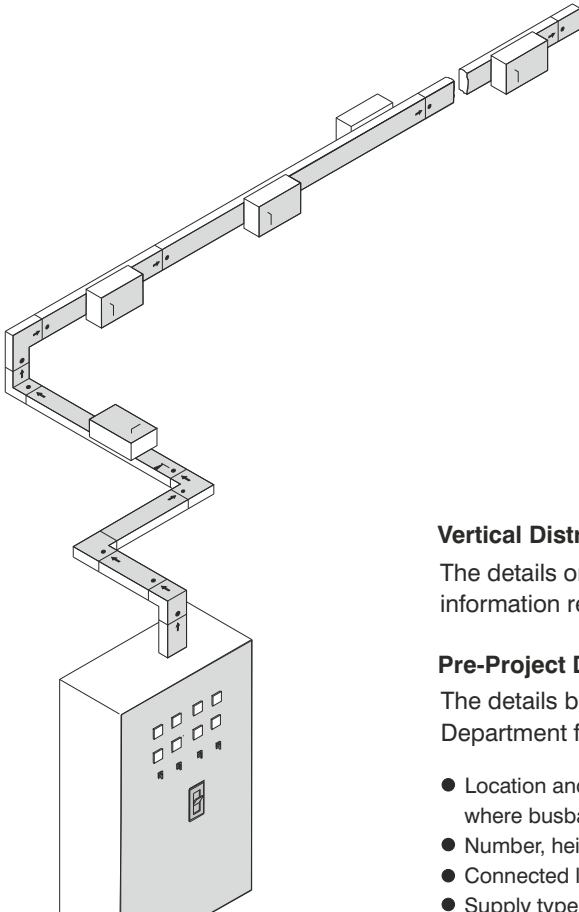


Figure 1

Diversity Factor (a)

The diversity factor(a) depends on the type and number of loads. It is usually around 0.7 or lower. The diversity factor of a line supplying electric motors and lighting systems is usually 0.6 It is as low as 0.5 in welding shops of car factories, (a) can be 1 in lines where only one big load is supplied.

Applications

As each building's structure is different from another for vertical and horizontal applications special projects have to be designed.

Vertical Distribution

The details on this page briefly explain the necessary information required for designing a vertical application project.

Pre-Project Design and cost Analysis

The details below should be sent to our Project and Design Department for Pre-Project design and cost analysis.

- Location and dimensions of the shaft where busbar will be installed, (h=)
- Number, height and ceiling thickness of each storey, (a=)
- Connected load for each storey, (p=)
- Supply type to the vertical line (Busbar or Cable).

BUSBAR TYPE
 CONDUCTOR TYPE
 BUSBAR CODE
 PROTECTION DEGREE
 CONDUCTOR CONFIGURATION
 UNPAINTED / PAINTED
 COMPONENT

KO A 06 5 5 - II - B - DDT

Busbar Type

Aluminium A
 Copper C

Conductor Type

	Busbar Rated Current	Busbar Code	
Aluminium	160	01	6x20
	250	02	6x25
	315	03	6x30
	400	04	6x50
	500	05	6x62,5
	600	06	6x75
	800	08	6x110
Copper	250	02	6x20
	315	03	6x25
	400	04	6x30
	600	06	6x50
	800	08	6x75

Busbar Code

IP 55 5

Protection Degree

Conductor Configuration

Number of Conductors	Code	Configuration									
		L1	L2	L3	N	PE	½ PE	CPE	½ CPE	PE (Housing)	
4 conductors	4	✓	✓	✓	✓					✓	
5 conductors	5	✓	✓	✓	✓	✓				✓	
4 ½ conductors	6	✓	✓	✓	✓		✓			✓	
5 conductors (CPE)	7	✓	✓	✓	✓			✓		✓	
4 ½ conductors (CPE)	9	✓	✓	✓	✓				✓	✓	

Components

Plug-in Standard Length	STD
Plug-in Special Length	X
Feeder Standard Length	FTD
Feeder Special Length	FX
Right Elbow	R
Left Elbow	L
Downwards Elbow	D
Upwards Elbow	U
Right Upwards Combined	KRU
Left Upwards Combined	KLU
Right Downwards Combined	KRD
Left Downwards Combined	KLD
Upwards Right Combined	KUR
Upwards Left Combined	KUL
Downwards Right Combined	KDR
Downwards Left Combined	KDL
Upwards Vertical Offset	UV
Downwards Vertical Offset	DV
Right Horizontal Offset	RH
Left Horizontal Offset	LH
"T" Component	T
Cross	DD
Reductions	RD
End Closer	S
Horizontal Expansion	YDT
Vertical Expansion	DDT
Flexible	F
Feeder Box 1	B1
Feeder Box 2	B2
Central Feeder Box 1	BO1
Central Feeder Box 2	BO2
Panel Connections	P10
Panel Connections	P11

Paint

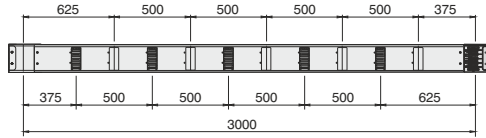
UNPAINTED -
 PAINTED B

Rated Current	In	A	Aluminium Conductor (KOA)								Copper Conductor (KOC)				
			160	250	315	400	500	600	800	250	315	400	600	800	
Busbar Code			01	02	03	04	05	06	08	02	03	04	06	08	
Standards	IEC 61439-6, TS EN 61439-6, IEC 61439-1, TS EN 61439-1														
Rated Insulation Voltage	Ui	V	1000												
Max. Rated Operational Voltage	Ue	V	1000												
Rated Frequency	f	Hz	50												
Pollution Degree	3														
Protection Degree	IP	55													
External Mechanical Impacts (IK Code)	Plug-in Busbar IK09														
Protection for Safety	Basic protection (HD 60364-4-41, clause A1)														
Rated Short-time Withstand Current (1s)	I _{cw}	kA _(rms)	10	15	15	30	30	35	35	18	18	25	35	35	
Rated Peak Withstand Current	I _{pk}	kA	17	30	30	63,5	63,5	73,5	73,5	36	36	52,5	73,5	73,5	
Rated Short-time withstand Current (N) (1s)	I _{cw}	kA	6	9	9	18	18	21	21	10,8	10,8	15	21	21	
Rated Peak Withstand Current (N)	I _{pk}	kA	10,2	15,3	15,3	36	36	44,1	44,1	21,6	21,6	30	44,1	44,1	
Rated Short-time withstand Current (PE) (1s)	I _{cw}	kA	6	9	9	18	18	21	21	10,6	10,6	15	21	21	
Rated Peak Withstand Current (PE)	I _{pk}	kA	10,2	15,3	15,3	36	36	44,1	44,1	21,6	21,6	30	44,1	44,1	
MEAN PHASE CONDUCTOR CHARACTERISTICS AT RATED CURRENT I_n															
Resistance at a conductor temperature of 20 °C	R ₂₀	mW/m	0,314	0,238	0,200	0,115	0,094	0,075	0,049	0,170	0,135	0,109	0,066	0,044	
Resistance at an ambient air temperature of 35 °C	R	mW/m	0,379	0,309	0,271	0,151	0,127	0,104	0,066	0,213	0,172	0,145	0,090	0,061	
Reactance (Independent from Temperature)	X	mW/m	0,169	0,158	0,147	0,111	0,094	0,083	0,064	0,171	0,159	0,147	0,112	0,085	
Positive and negative sequence impedances at an ambient air temperature of 35 °C	Z	mW/m	0,415	0,347	0,308	0,188	0,158	0,133	0,092	0,273	0,234	0,206	0,143	0,104	
Positive and negative sequence impedances at a conductor temperature of 20 °C	Z ₂₀	mW/m	0,356	0,286	0,248	0,160	0,133	0,112	0,081	0,241	0,208	0,183	0,130	0,096	
Rated Power Loss at 35 °C		W/m	29,0	56,2	78,1	69,0	91,4	110,0	123,8	38,3	49,5	67,9	94,0	112,5	
DC Resistance at a conductor temperature of 20 °C for Phases	R/or _{t_{FN}}	mW/m	0,292	0,221	0,189	0,108	0,087	0,072	0,043	0,151	0,119	0,098	0,058	0,039	
DC Resistance at a conductor temperature of 20 °C for Neutral	R _N	mW/m	0,292	0,219	0,188	0,111	0,089	0,072	0,044	0,152	0,119	0,098	0,059	0,039	
DC Resistance at a conductor temperature of 20 °C for PE	R _{PE}	mW/m	0,320	0,303	0,295	0,273	0,318	0,296	0,232	0,299	0,305	0,302	0,255	0,240	
SECTIONS															
L1,L2,L3,N		mm ²	120	150	180	300	375	450	660	120	150	180	300	450	
PE (4 ½ Conductors)		mm ²	60	75	90	150	187,5	225	330	60	75	90	150	225	
PE (5 Conductors)		mm ²	120	150	180	300	375	450	660	120	150	180	300	450	
Housing Section (Sheet Metal)		mm ²	583	593	603	643	668	693	730	583	593	603	643	693	
Conductor Dimensions		mmxmm	6x20	6x25	6x30	6x50	6x62,5	6x75	6x110	6x20	6x25	6x30	6x50	6x75	
Busbar Weight (4 Conductors) ⁽¹⁾		kg/m	7	7,5	8	10	11	12	15,1	10	11	12,5	16	18	
Busbar Weight (5 Conductors) ⁽¹⁾		kg/m	7,3	8	8,7	11	12	13	17	11	12,5	14	19	21	
MEAN FAULT-LOOP CHARACTERISTICS															
Zero-sequence Impedance															
Zero-sequence impedance at a conductor temperature of 20 °C	Z _{(0) b20pN}	mW/m	1,669	1,374	1,223	0,815	0,670	0,581	0,411	1,177	1,013	0,897	0,625	0,464	
Zero-sequence impedance at a conductor temperature of 20 °C	Z _{(0) b20pNPE}	mW/m	2,209	1,834	1,696	1,408	1,443	1,256	1,003	1,818	1,608	1,453	1,181	1,052	
Zero-sequence impedance at an ambient temperature of 35 °C	Z _{(0) b35pN}	mW/m	1,925	1,651	1,497	0,956	0,796	0,699	0,473	1,319	1,137	1,014	0,703	0,516	
Zero-sequence impedance at an ambient temperature of 35 °C	Z _{(0) b35pNPE}	mW/m	2,590	2,277	2,167	1,753	1,874	1,669	1,294	2,167	1,952	1,814	1,530	1,386	
Resistances and Reactances															
Resistance at a conductor temperature of 20 °C	R _{b20pN}	mW/m	0,627	0,475	0,408	0,239	0,191	0,159	0,098	0,335	0,265	0,222	0,134	0,091	
Resistance at a conductor temperature of 20 °C	R _{b20pN}	mW/m	0,648	0,496	0,428	0,258	0,204	0,169	0,105	0,359	0,287	0,242	0,148	0,101	
Resistance at a conductor temperature of 20 °C	R _{b20pNPE}	mW/m	0,837	0,777	0,745	0,606	0,570	0,506	0,401	0,709	0,656	0,612	0,495	0,417	
Resistance at an ambient air temperature of 35 °C	R _{b35pN}	mW/m	0,763	0,623	0,552	0,315	0,259	0,221	0,134	0,419	0,340	0,294	0,185	0,127	
Resistance at an ambient air temperature of 35 °C	R _{b35pN}	mW/m	0,788	0,651	0,580	0,340	0,277	0,236	0,143	0,449	0,369	0,321	0,204	0,141	
Resistance at an ambient air temperature of 35 °C	R _{b35pNPE}	mW/m	1,018	1,019	1,010	0,799	0,774	0,706	0,544	0,886	0,843	0,812	0,684	0,580	
Reactance (Independent from temperature)	X _{b35pN}	mW/m	0,331	0,308	0,282	0,212	0,178	0,158	0,123	0,328	0,302	0,277	0,210	0,159	
Reactance (Independent from temperature)	X _{b35pN}	mW/m	0,441	0,418	0,389	0,299	0,249	0,224	0,179	0,441	0,412	0,382	0,296	0,228	
Reactance (Independent from temperature)	X _{b35pNPE}	mW/m	0,438	0,460	0,442	0,384	0,327	0,304	0,268	0,453	0,445	0,421	0,359	0,295	

⁽¹⁾ Joint weight is included rated 1/3 of the weight of the joint in the indicated weights per meter.

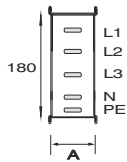
ELINEKO-II

►► Standard Components



Electrical Power up to 400A can be supplied from the busbar by Tap-off boxes.

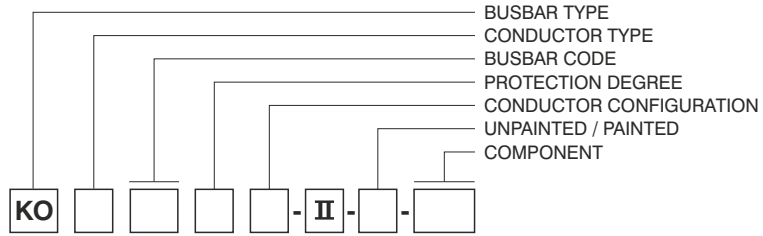
E-Line KO-II Busbar is manufactured in 3m lengths as standard, special lengths can be manufactured on request.



Current Aluminium Copper		
(A)	(A) mm	(A) mm
160	70	-
250	75	70
315	80	75
400	100	80
500	112	-
600	125	100
800	160	125

Busbar cross-section dimensions

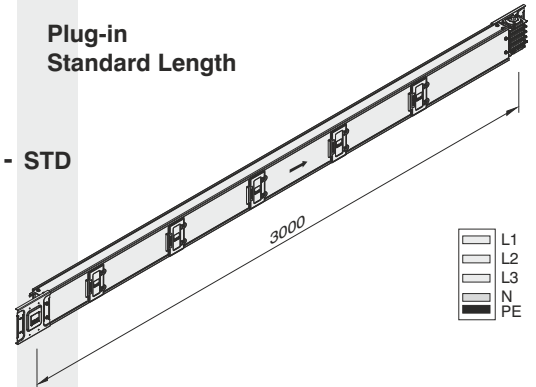
Please call us for non-standard components.



Sample Order:
250 A, Aluminium, Plug-in,
IP 55, 4 Conductors
KOA 0254-II-STD

Plug-in Standard Length

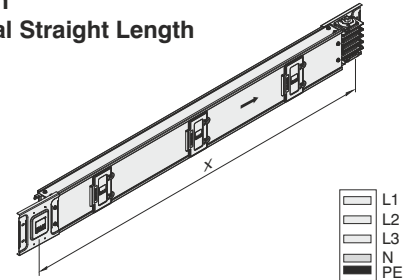
- STD



Sample Order:
400 A, Copper, Plug-in,
IP 55, 850 mm, 5 Conductors
KOC 0455-II-85

Plug-in Special Straight Length

- X



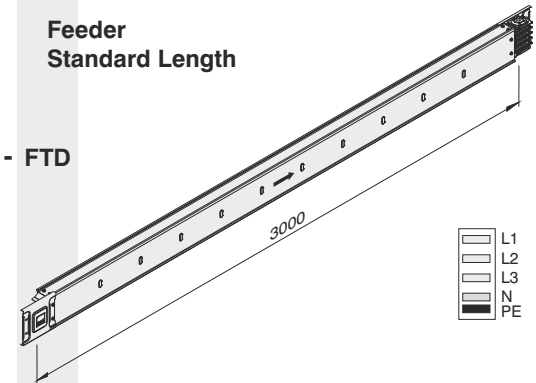
Minimum special length that can be manufactured is 350 mm.

X Special Straight Length (mm)

Sample Order:
315 A, Aluminium, Feeder,
IP 55, 5 Conductors
KOA 0355-II-FTD

Feeder Standard Length

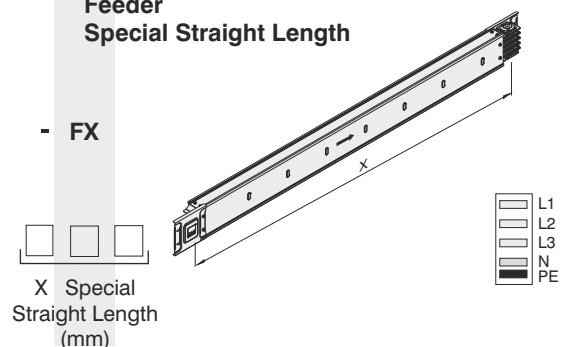
- FTD

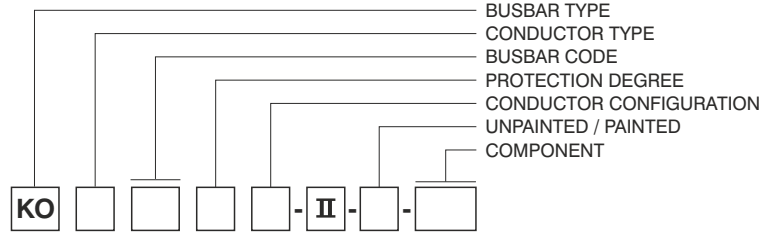


Sample Order:
160 A, Aluminium, Feeder,
IP 55, 600 mm, 4 Conductors
KOA 0154-II-60

Feeder Special Straight Length

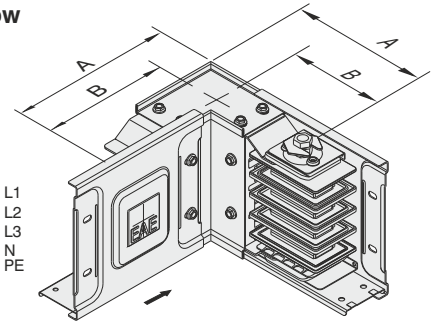
- FX





Sample Order:
 250 A, Aluminium, IP 55, 4 Conductors
KOA 0254 - II - R

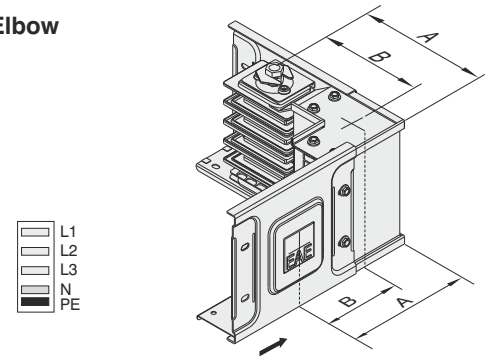
Right Elbow



- R

Sample Order:
 600 A, Copper, IP 55, 5 Conductors
KOC 0655 - II - L

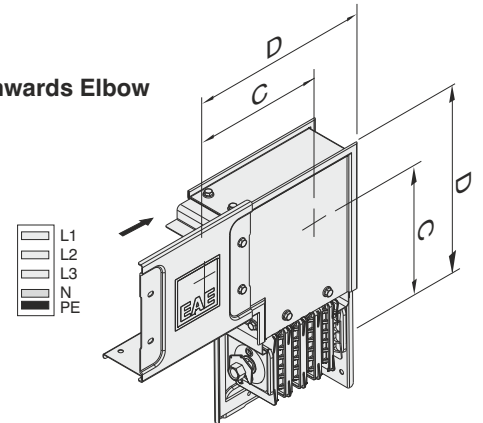
Left Elbow



- L

Sample Order:
 400 A, Aluminium, IP 55, 4 Conductors
KOA 0454 - II - D

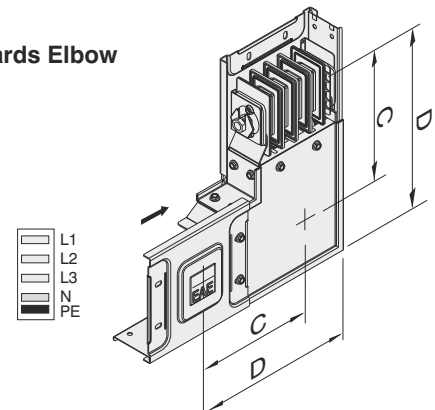
Downwards Elbow



- D

Sample Order:
 600 A, Copper, IP 55, 5 Conductors
KOC 0655 - II - U

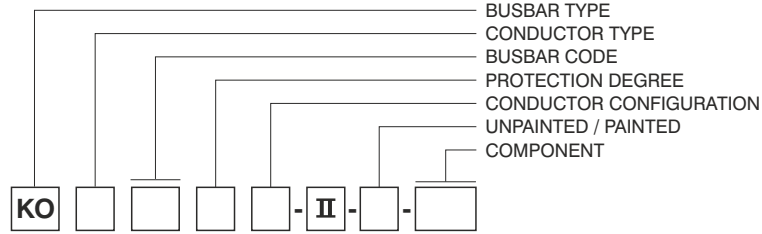
Upwards Elbow



- U

	Current	A	B	C	D
Aluminium	160	180	145	200	290
	250	185	147	200	290
	315	190	150	200	290
	400	210	160	200	290
	500	222	166	200	290
	600	235	172	200	290
Copper	800	270	190	200	290
	250	180	145	200	290
	315	185	147	200	290
	400	190	150	200	290
	600	210	160	200	290
	800	235	172	200	290

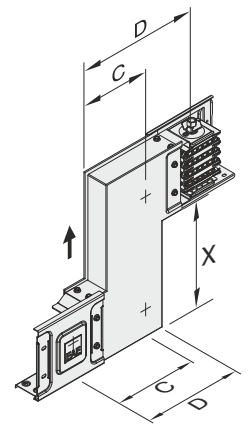
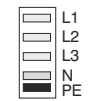
Please call us for non-standard components.



X= min. 200 mm.
 Sample Order:
 250 A, Aluminium, IP 55,
 4 Conductors
KOA 0254 - II - UV

Upwards Vertical Offset

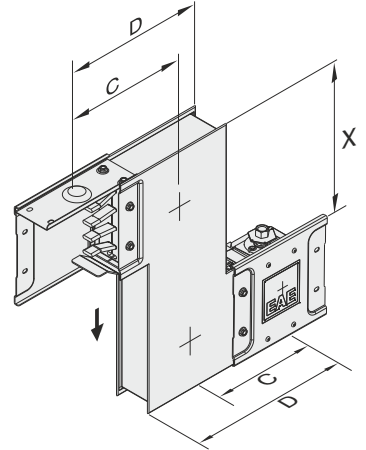
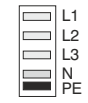
- UV



X= min. 200 mm.
 Sample Order:
 400 A, Copper, IP 55,
 5 Conductors
KOC 0455 - II - DV

Downwards Vertical Offset

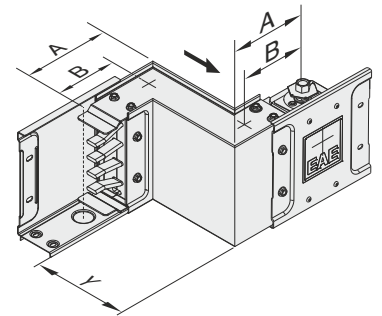
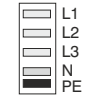
- DV



Y= min. 150 mm.
 Sample Order:
 315 A, Aluminium, IP 55,
 5 Conductors
KOA 0355 - II - RH

Right Horizontal Offset

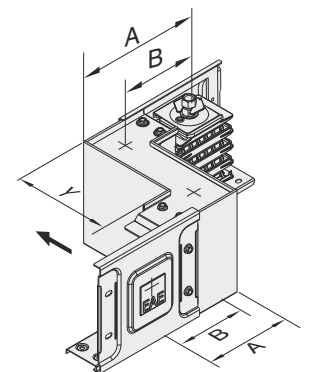
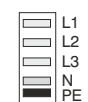
- RH



Y= min. 150 mm.
 Sample Order:
 160 A, Aluminium, IP 55,
 4 Conductors
KOA 0154 - II - LH

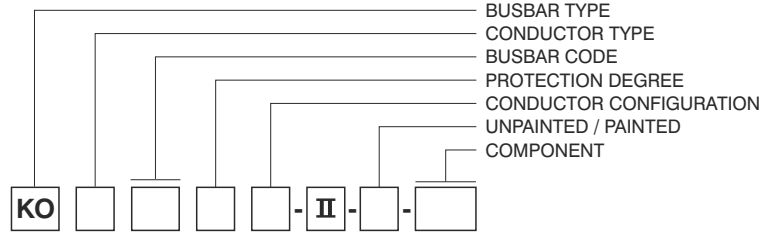
Left Horizontal Offset

- LH



	Current	A	B	C	D
Aluminium	160	180	145	200	290
	250	185	147	200	290
	315	190	150	200	290
	400	210	160	200	290
	500	222	166	200	290
	600	235	172	200	290
Copper	800	270	190	200	290
	250	180	145	200	290
	315	185	147	200	290
	400	190	150	200	290
	600	210	160	200	290
	800	235	172	200	290

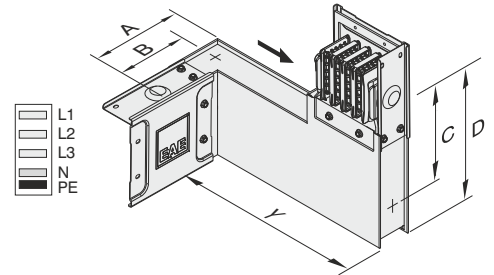
Please call us for non-standard components.



Y= min. 200 mm.
 Sample Order:
 250 A, Aluminium, IP 55,
 4 Conductors
KOA 0254 - II - KRU

Right Upwards Combined Offset

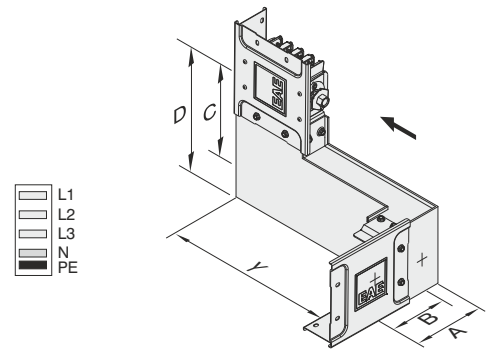
- KRU



Y= min. 200 mm.
 Sample Order:
 400 A, Copper, IP 55,
 5 Conductors
KOC 0455 - II - KLU

Left Upwards Combined Offset

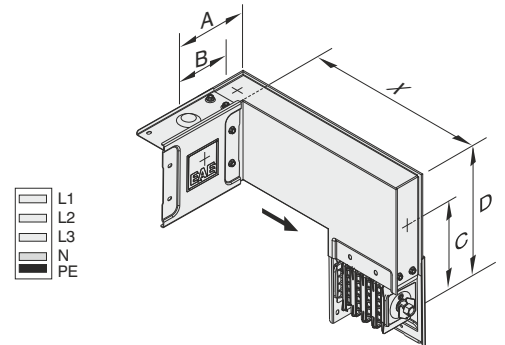
- KLU



X= min. 200 mm.
 Sample Order:
 315 A, Aluminium, IP 55,
 5 Conductors
KOA 0355 - II - KRD

Right Downwards Combined Offset

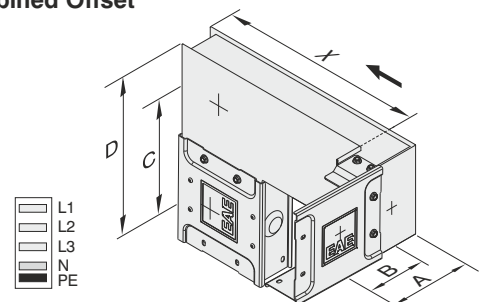
- KRD



X= min. 200 mm.
 Sample Order:
 160 A, Aluminium, IP 55,
 4 Conductors
KOA 0154 - II - KLD

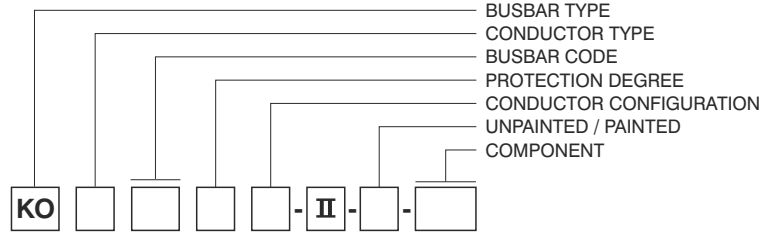
Left Downwards Combined Offset

- KLD



	Current	A	B	C	D
Aluminium	160	180	145	200	290
	250	185	147	200	290
	315	190	150	200	290
	400	210	160	200	290
	500	222	166	200	290
	600	235	172	200	290
Copper	800	270	190	200	290
	250	180	145	200	290
	315	185	147	200	290
	400	190	150	200	290
	600	210	160	200	290
	800	235	172	200	290

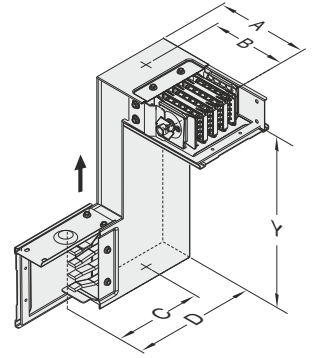
Please call us for non-standard components.



Y= min. 200 mm.
Sample Order:
250 A, Aluminium, IP 55,
4 Conductors
KOA 0254 - II - KUR

Upwards Right Combined Offset

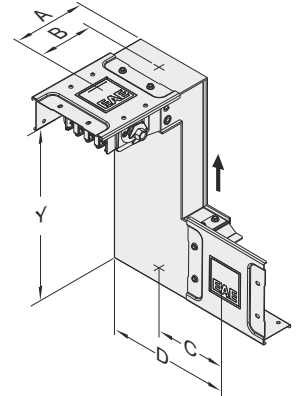
- KUR



Y= min. 200 mm.
Sample Order:
400 A, Copper, IP 55,
5 Conductors
KOC 0455 - II - KUL

Upwards Left Combined Offset

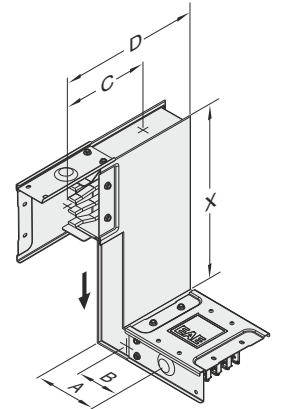
- KUL



X= min. 200 mm.
Sample Order:
315 A, Aluminium, IP 55,
5 Conductors
KOA 0355 - II - KDR

Downwards Right Combined Offset

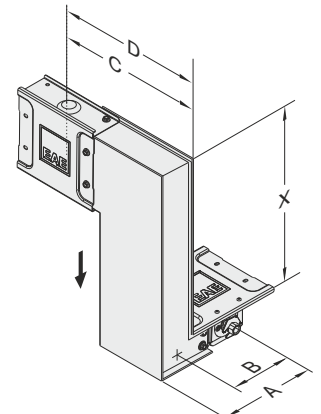
- KDR



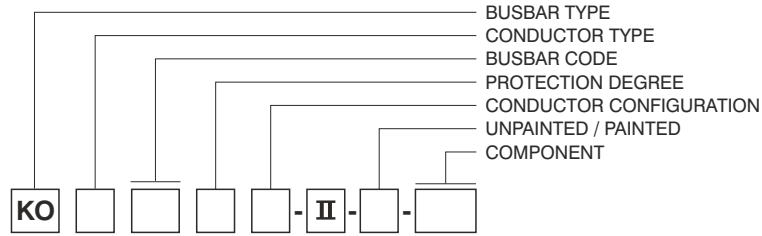
X= min. 200 mm.
Sample Order:
160 A, Aluminium, IP 55,
4 Conductors
KOA 0154 - II - KDL

Downwards Left Combined Offset

- KDL



	Current	A	B	C	D
Aluminium	160	180	145	200	290
	250	185	147	200	290
	315	190	150	200	290
	400	210	160	200	290
	500	222	166	200	290
	600	235	172	200	290
Copper	800	270	190	200	290
	250	180	145	200	290
	315	185	147	200	290
	400	190	150	200	290
	600	210	160	200	290
	800	235	172	200	290



Reduction

Is used to change the busbar cross section.

NOTE:

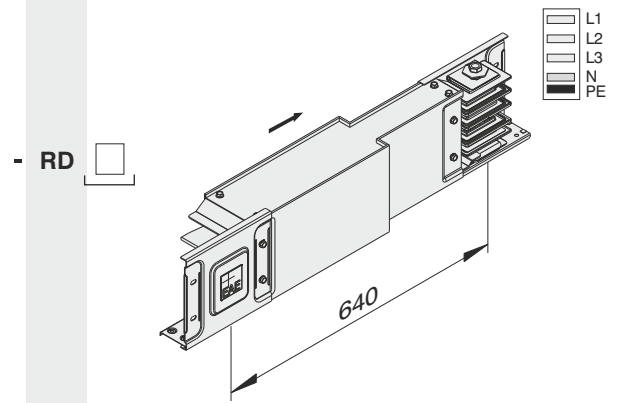
The selection of the reduction unit and the lower side protection is the responsibility of the customer.

Reducers Table

KOA - Al Conductor		Reduced Busbar Current					
Rated Current	160	250	315	400	500	600	
250	✓	-	-	-	-	-	
315	✓	✓	-	-	-	-	
400	-	✓	✓	-	-	-	
500	-	-	✓	✓	-	-	
600	-	-	-	✓	✓	-	
800	-	-	-	-	✓	✓	

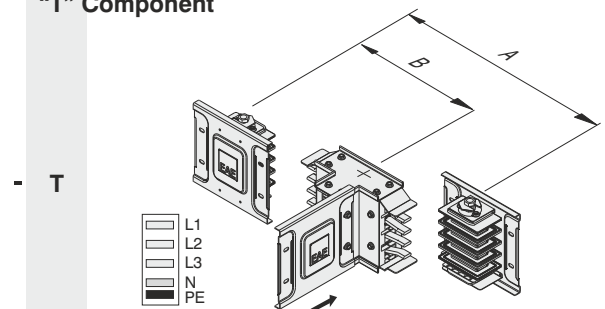
Sample Order:
400-250 A, Aluminium,
IP 55,5 Conductors
KOA 0455 - II - RD2

Reduction



KOC - Cu Conductor		Reduced Busbar Current			
Rated Current	250	315	400	600	
315	✓	-	-	-	
400	✓	✓	-	-	
600	-	✓	✓	-	
800	-	-	✓	✓	

"T" Component

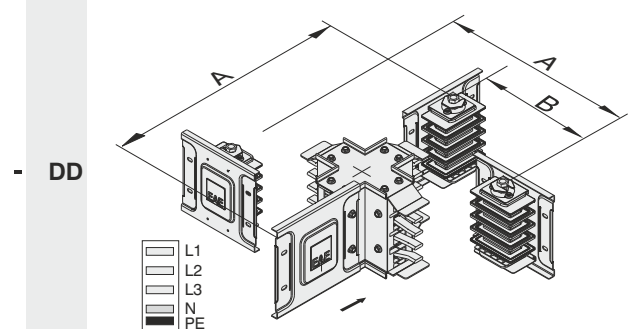


Sample Order:
250 A, Aluminium, IP 55,
4 Conductors
KOA 0254 - II - T

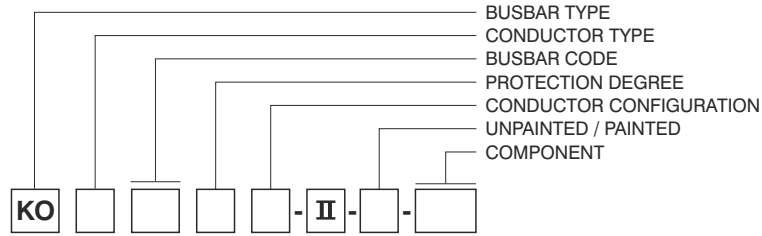
Current	A	B	
Aluminium	160	290	145
	250	295	147
	315	300	150
	400	320	160
	500	332	166
	600	345	172
Copper	800	380	190
	250	290	145
	315	295	147
	400	300	150
	600	320	160

Sample Order:
600 A, Aluminium, IP 55,
4 Conductors
KOA 0654 - II - DD

Cross



Please call us for non-standard components.

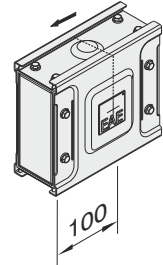


End Closer

Is used to close the end of busbar run.

Sample Order:
 250 A, Copper, IP 55, 5 Conductors
KOC 0255 - II - S

End Closer

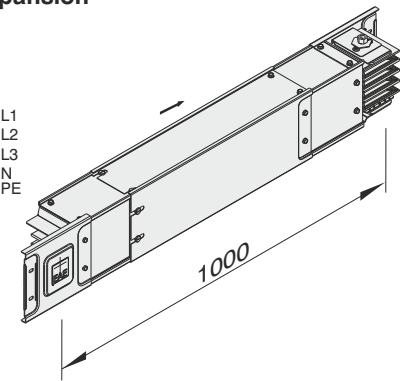


Horizontal Expansion

For long horizontal runs and for crossing the building expansions. (See page no.27 for application)

Sample Order:
 250 A, Aluminium, IP 55, 4 Conductors
KOA 0254 - II - YDT

Horizontal Expansion

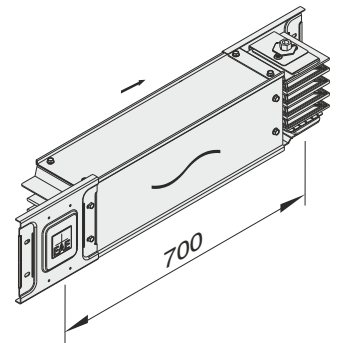


Vertical Expansion

For vertical applications in multi- storey buildings. (See page no.27 for application)

Sample Order:
 250 A, Copper, IP 55, 5 Conductors
KOC 0255 - II - DDT

Vertical Expansion

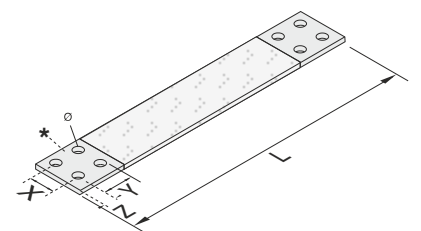


Flexibles

Are used for panel-busbar connections.

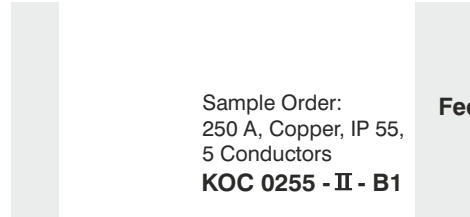
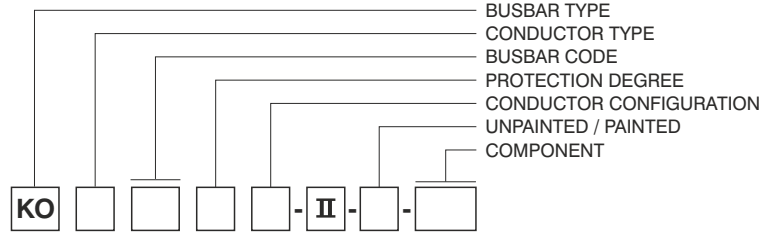
Sample Order:
 400 A, Aluminium, 4 Conductors 550 mm.
KOA 0454 - II - F55

Flexibles

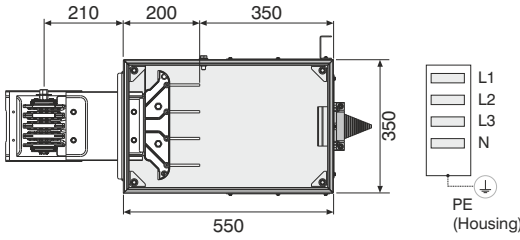


* Please indicate X, Y, Z and ø measurement on order.

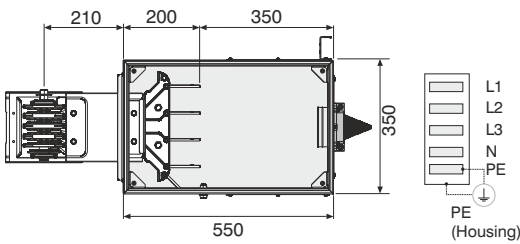
Please call us for non-standard components.



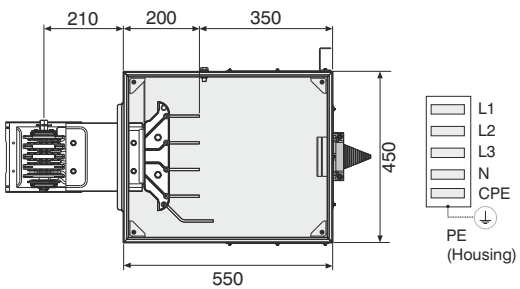
4 conductors



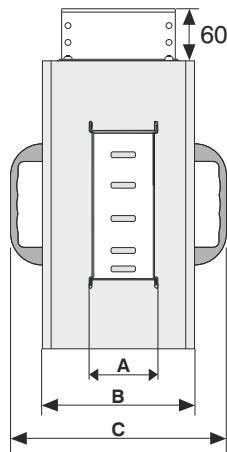
4,5 / 5 PE conductors



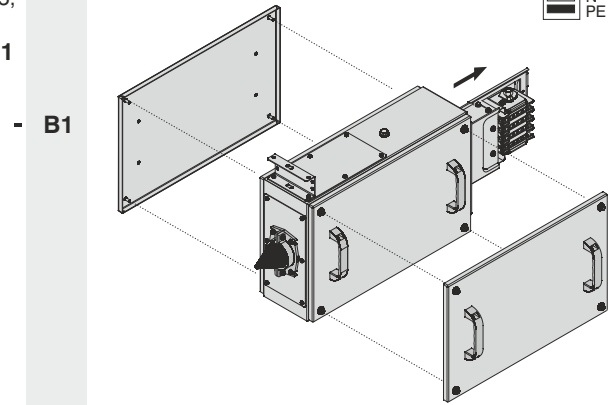
4,5 / 5 CPE (Clean Earth) conductors



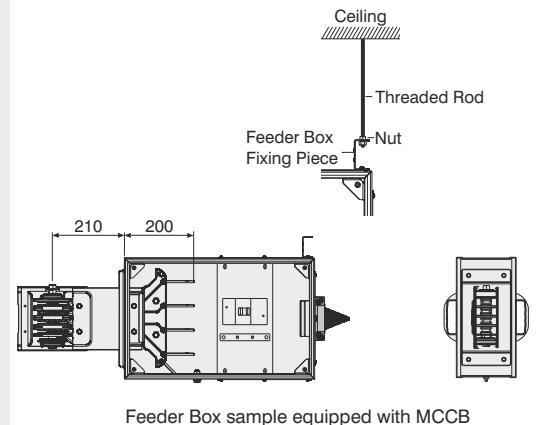
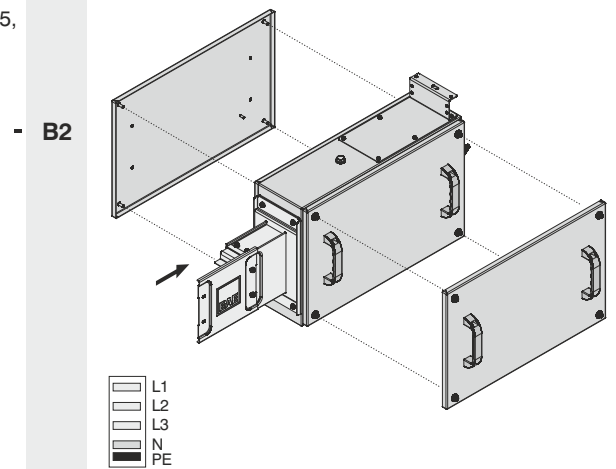
Current		A	B	C
Aluminium	160	70	180	260
	250	75	180	260
	315	80	180	260
	400	100	180	260
	500	112	240	315
	600	125	240	315
	800	160	300	375
Copper	250	70	180	260
	315	75	180	260
	400	80	180	260
	600	100	180	260
	800	125	240	315



Feeder Box 1



Feeder Box 2

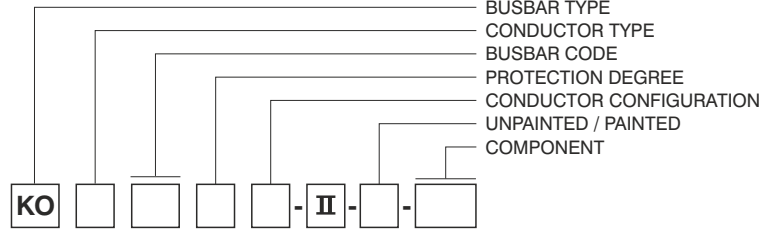


Feeder Box sample equipped with MCCB

Please call us for special applications or for applications with MCB's

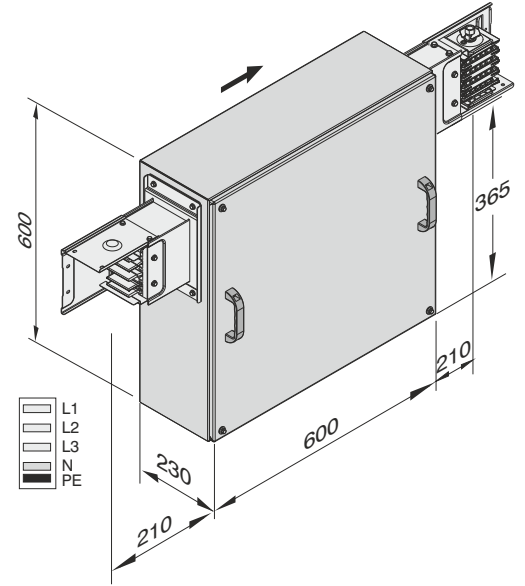
ELINEKO-II

►► Feeder Boxes (Central Feeder Box BO)



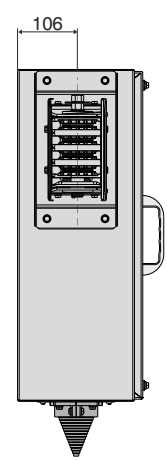
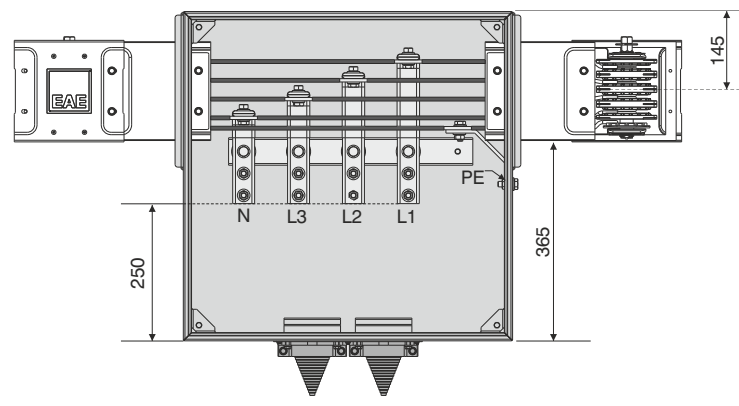
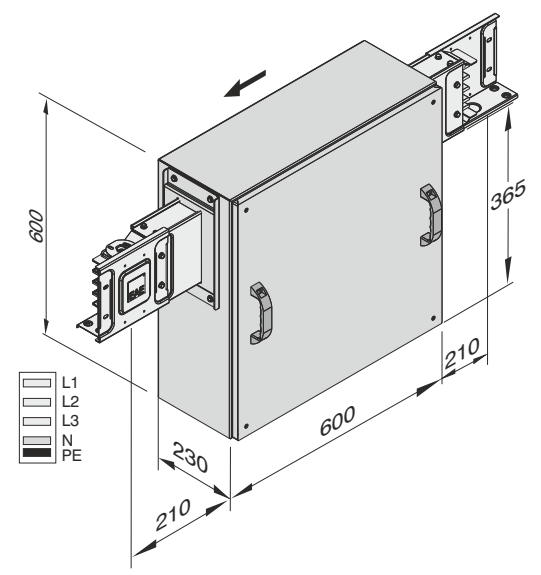
Central Feeder Box BO 1
 Sample Order:
 600 A, Aluminium, IP 55,
 4 Conductors
KOA 0654 - II - BO1

- BO1



Central Feeder Box BO 2
 Sample Order:
 600 A, Aluminium IP 55,
 4 Conductors
KOA 0654 - II - BO2

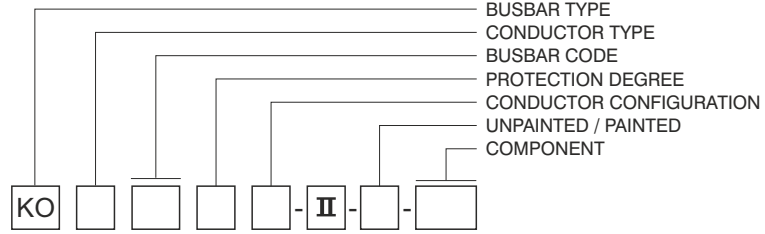
- BO2



Please call us for special applications or for applications with MCCB's

ELINEKO-II

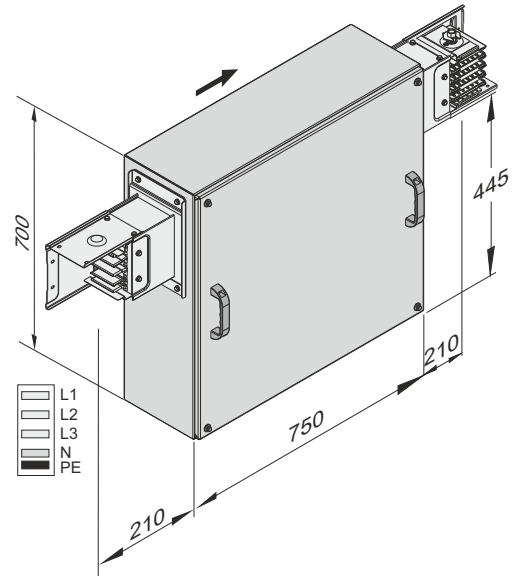
►► Feeder Boxes (Central Feeder Box KOA 800 - KOC 800 A)



Central Feeder Box BO 1

Sample Order:
800 A, Copper IP 55,
4 Conductors
KOC 0854 - II- BO1

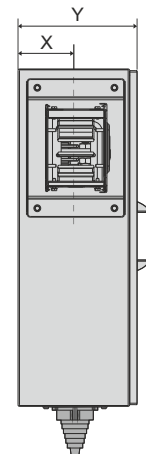
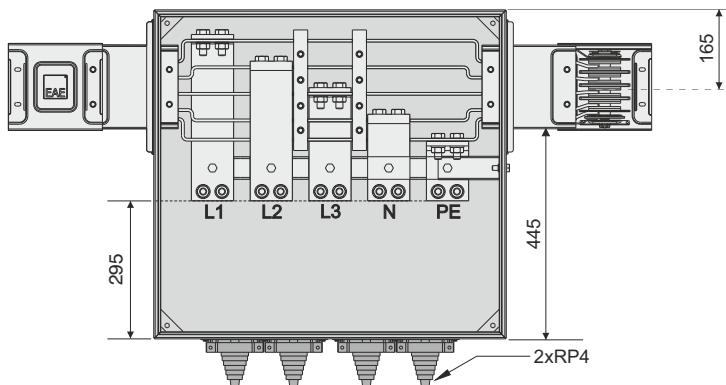
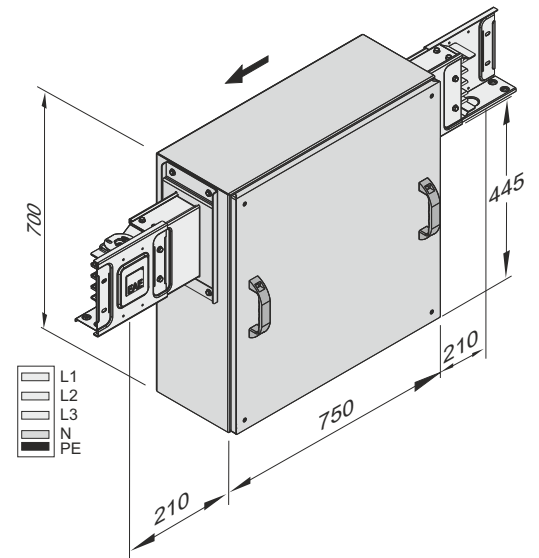
- BO1



Central Feeder Box BO 2

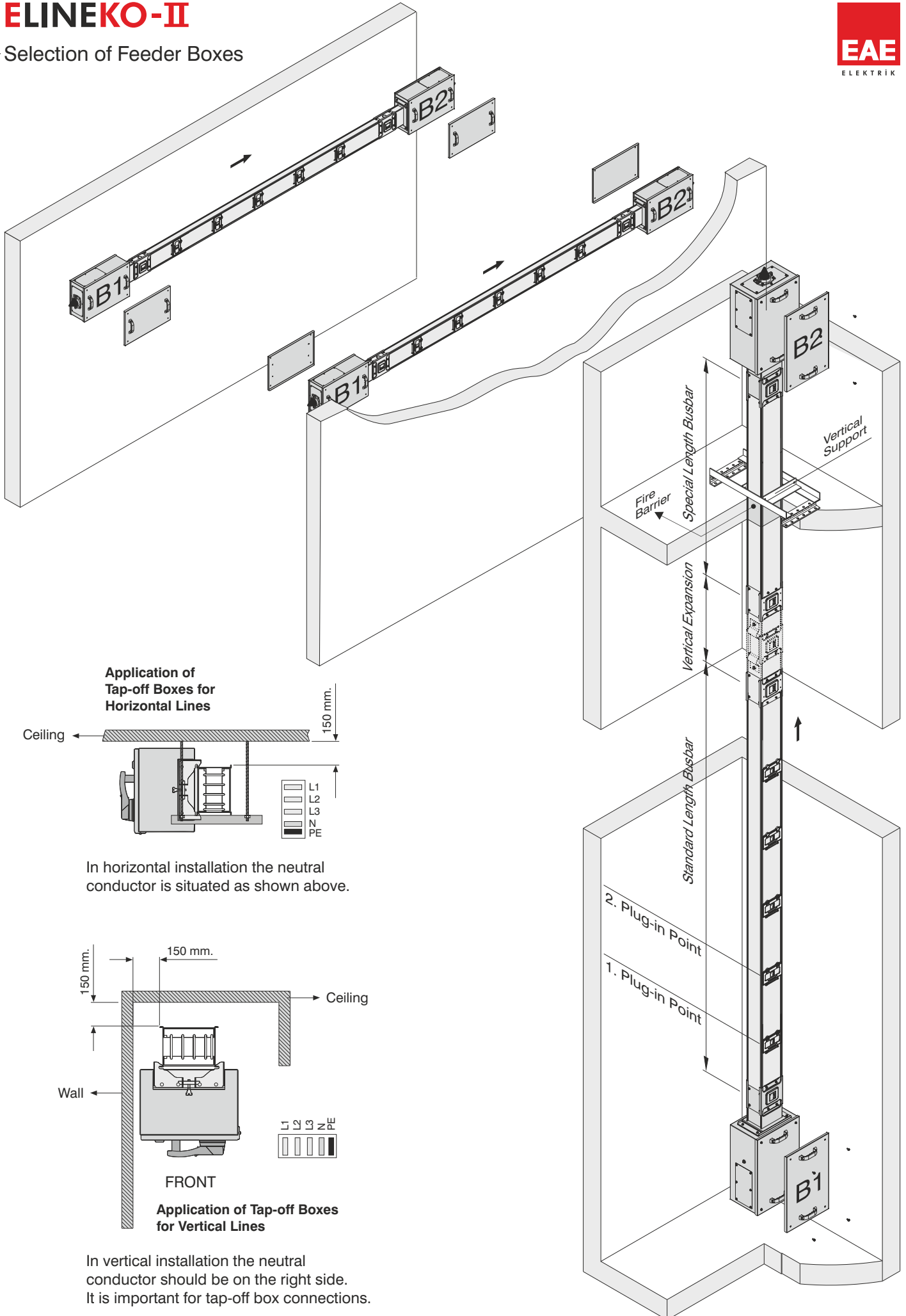
Sample Order:
800 A, Copper IP 55,
4 Conductors
KOC 0854 - II- BO2

- BO2



Current	X	Y
KOA 800	145	292
KOC 800	120	247

Please call us for special applications or for applications with MCCB's



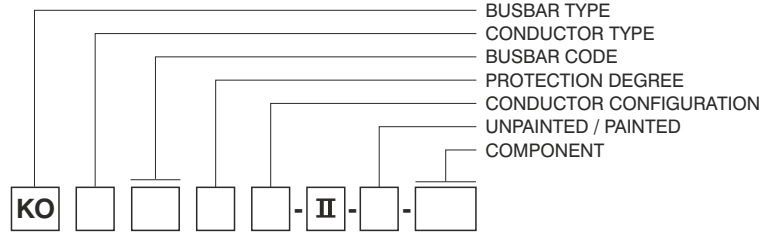
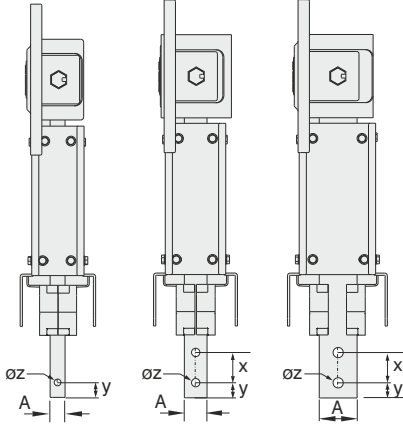


Figure 1 Figure 2 Figure 3



Sample Order:
600 A, Aluminium, IP 55, 5 Conductor
KOA 0655 - II - P10

Busbar Feeder

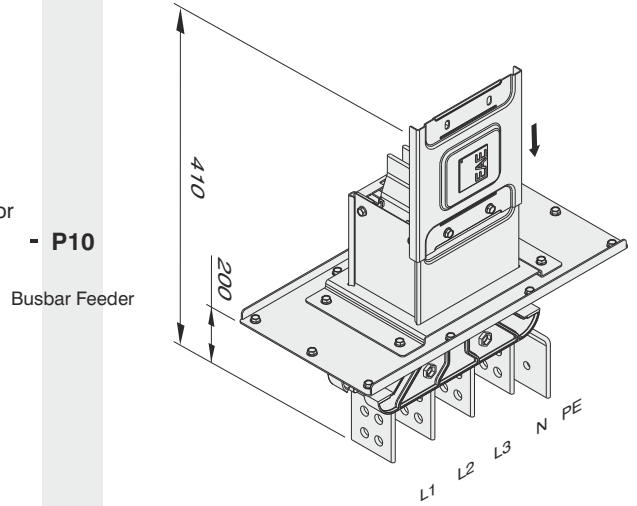
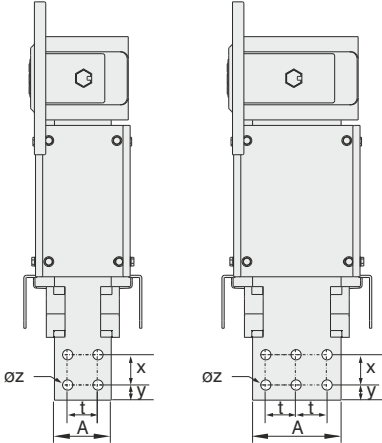
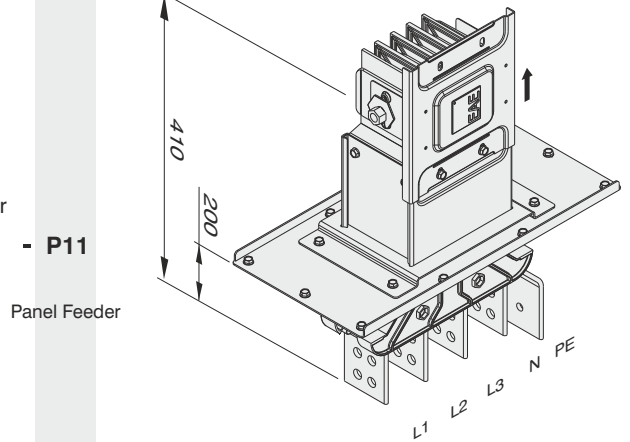


Figure 4 Figure 5

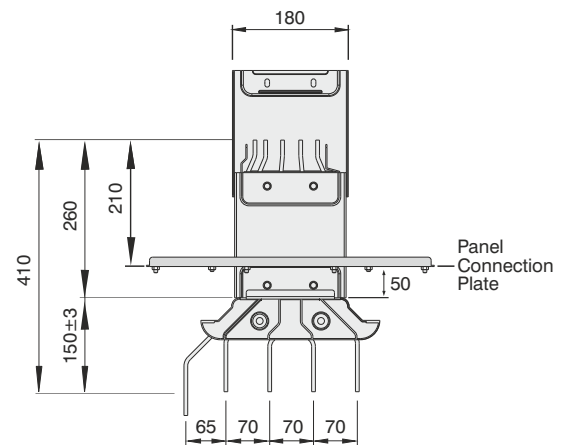
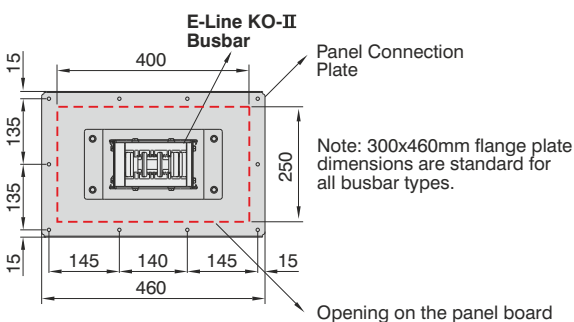


Sample Order:
600 A, Aluminium, IP 55, 5 Conductor
KOA 0655 - II - P11

Panel Feeder

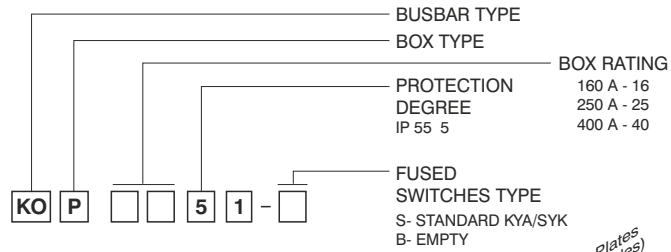


	Current	A	x	y	z	t	Figure
Aluminium	160	20	40	20	9	-	1
	250	25	40	20	11	-	2
	315	30	40	20	11	-	2
	400	50	40	20	13	-	3
	500	62,5	40	20	13	-	3
	600	75	40	20	13	40	4
	800	110	40	20	13	40	5
Copper	250	20	40	20	9	-	1
	315	25	40	20	11	-	2
	400	30	40	20	11	-	2
	600	50	40	20	13	-	3
	800	75	40	20	13	40	4



Please call us for non-standard components.

▶▶ Tap-Off Boxes with Fused Switches (SYK)



Cable Gland Plates

Mat.	Cable Gland Type	Order Code	Inner Diameter (mm)
Sheet Metal	----	RP0	
Sheet Metal	M32	RP1	25
Sheet Metal	M40	RP2	32
Sheet Metal	Special	RP3	63
AL	2xSpecial	RP4	63
AL	4xM25	RP5	18
AL	4xM32	RP6	25
AL	4xM40	RP7	32
AL	8xM32	RP8	25

KOP 1651-S

KOP 2551-S

KOP 4051-S

Fused Switches (SYK)

Tap-off boxes are equipped with EAE syk fused switches that;

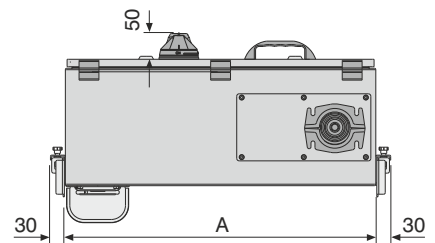
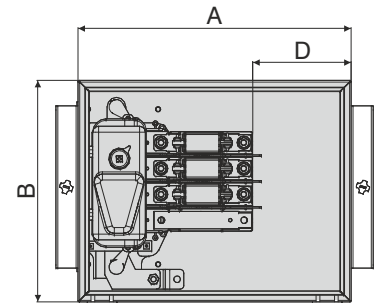
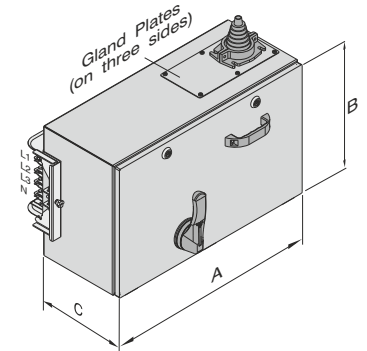
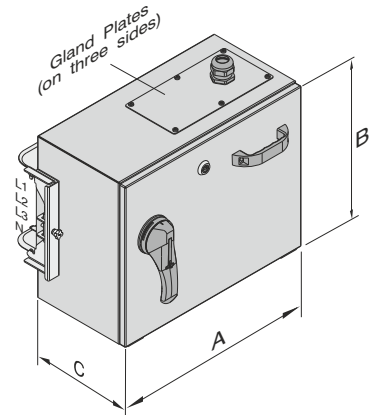
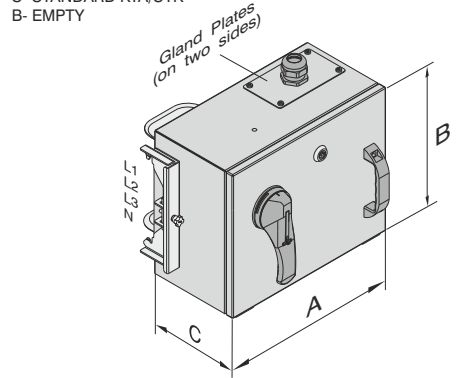
- Can operate under load,
- Are equipped with NH fuse holders,
- Have Interlock mechanism
- Padlock applicable

CURRENT A	A mm	B mm	C mm	D mm	Cable Gland	Fuse Size	Fused Switches	5W Order No
KOP 160	370	300	195	135	RPK1	NH 00	KYA	3030205
KOP 250	480	380	240	150	RP2	NH 1	KYA	3030207
KOP 400	625	380	255	215	RP3	NH 3	SYK	3030314

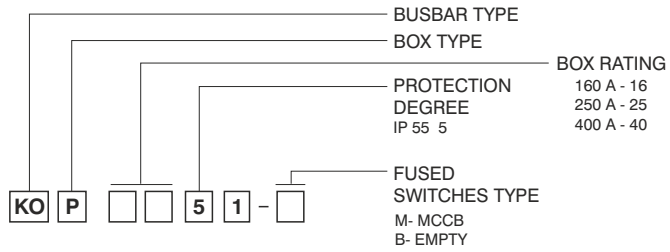
Tap-off boxes can be equipped with other brand of fused switches on request. Tap-off boxes are painted in red as standard.

Continuous current of tap-off boxes with fused switch should not exceed 80% of tap-off box current rating.

Please call us for non-standard components.



▶▶ Tap-Off Boxes for MCCB's



Cable Gland Plates

Mat.	Cable Gland Type	Order Code	Inner Diameter (mm)
Sheet Metal	----	RP0	----
Sheet Metal	M32	RP1	25
Sheet Metal	M40	RP2	32
Sheet Metal	Special	RP3	63
AL	2xSpecial	RP4	63
AL	4xM25	RP5	18
AL	4xM32	RP6	25
AL	4xM40	RP7	32
AL	8xM32	RP8	25

KOP 1651-M
KOP 1651-B

KOP 2551-M
KOP 2551-B

Special Cable Gland Plates

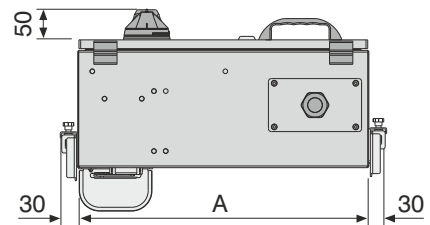
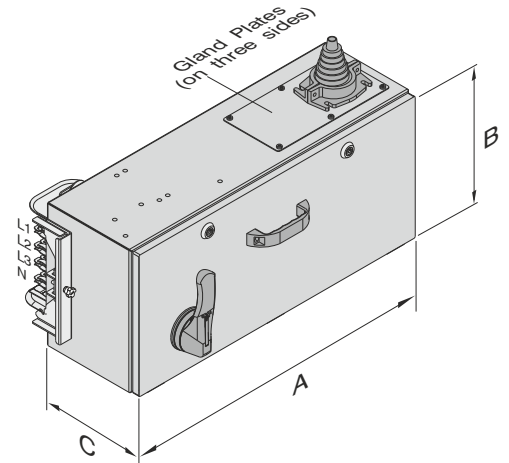
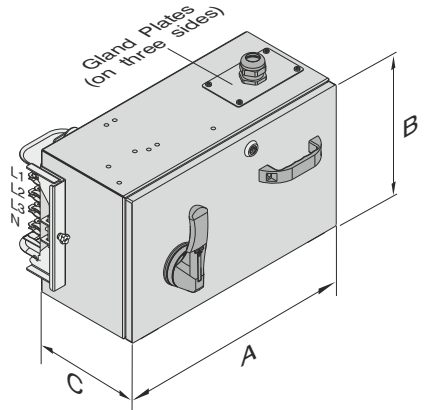
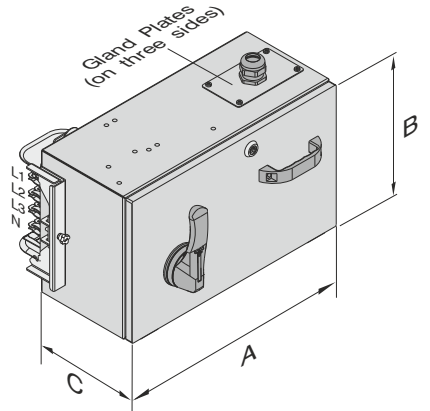
Mat.	Cable Gland Type	Order Code	Inner Diameter (mm)
Sheet Metal	----	RPK0	----
Sheet Metal	M25	RPK1	18
Sheet Metal	M32	RPK2	25
Sheet Metal	M40	RPK3	32
Sheet Metal	1xSpecial	RPK4	63

KOP 4051-M
KOP 4051-B

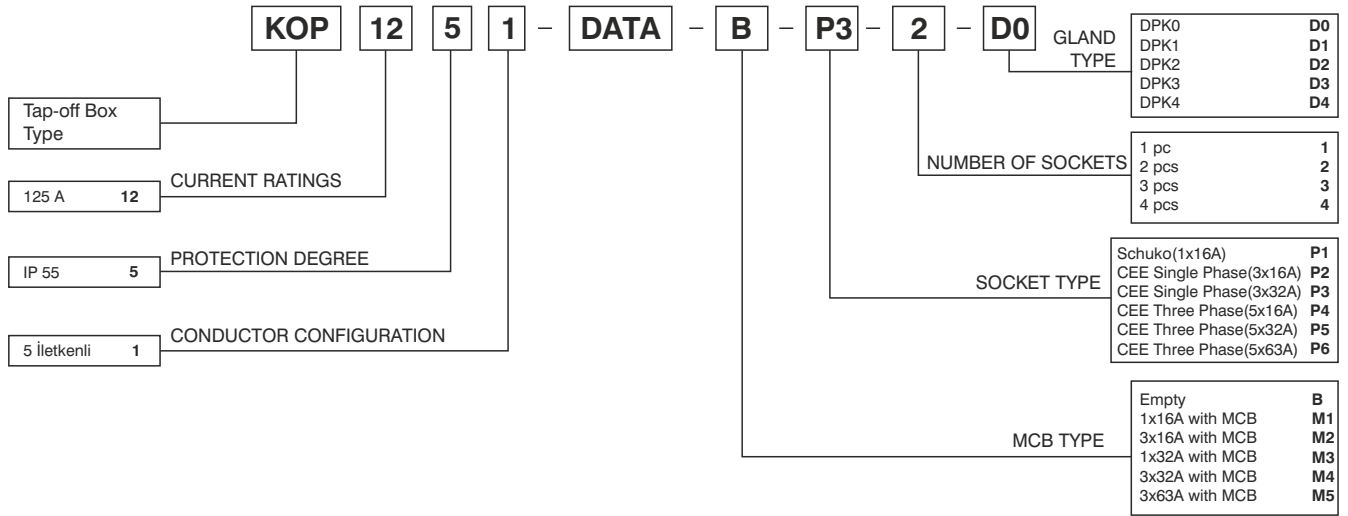
CURRENT A	A mm	B mm	C mm	Cable Gland	5W Order No
KOP 160	420	300	220	RPK2	3030192
KOP 250	500	300	220	RPK3	3030193
KOP 400	675	300	220	RP3	3030194

* EAE tap-off boxes can be designed for all brands of MCCB's.

Please call us for non-standard components.



▶▶ KOP-Data Tap-Off Boxes (125A)

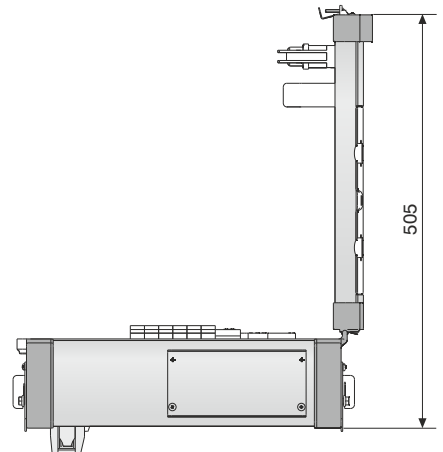
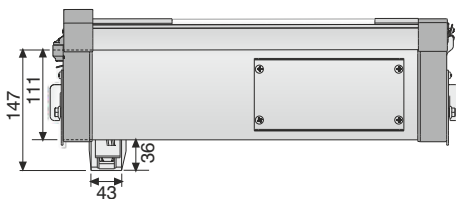
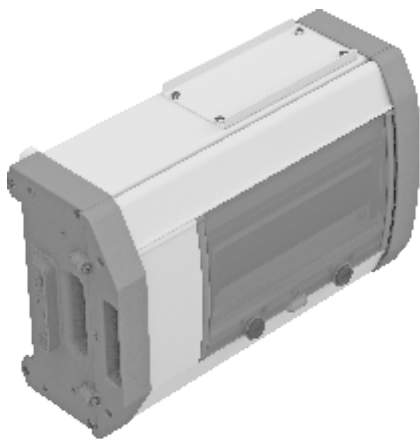
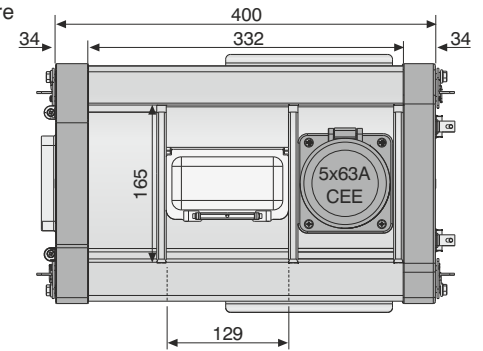
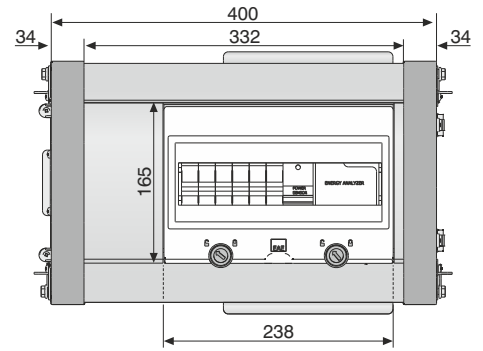


Cable Gland Plates

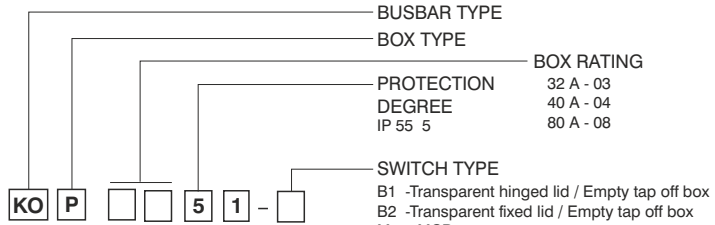
Mat.	Cable Gland Type	Order Code	Inner Diameter (mm)
AI	----	DPK0	---
AI	M16	DPK1	10
AI	10xM16	DPK2	10
AI	M25	DPK3	18
AI	4xM25	DPK4	18

Features;

- Up to 125A MCB
- RAL 7038 Painted Aluminium Housing
- Standard tap-off is empty, gland plates are DPK0.
- with DIN rail inside(available for 4pcs 3P MCB)
- May be equipped with CEE or Schuko Sockets with different configurations.(Optional)
- All tap off boxes with equipment fitted are manufactured with C Type ABB MCB.



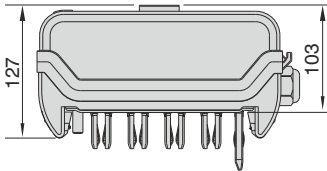
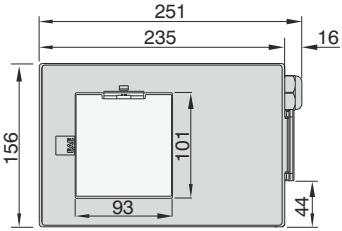
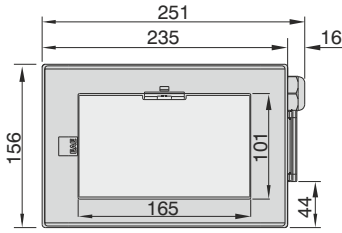
Please call us for non-standard components.



BOX RATING
 32 A - 03
 40 A - 04
 80 A - 08

SWITCH TYPE
 B1 -Transparent hinged lid / Empty tap off box
 B2 -Transparent fixed lid / Empty tap off box
 M - MCB

3x6 A 3x32 A
 3x10 A 3x40 A
 3x16 A 3x50 A
 3x20 A 3x63 A
 3x25 A 3x80 A



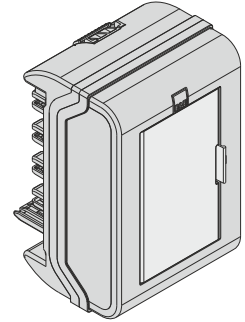
KOP 0351-P1
KOP 0351-P2

Sample Order:
 32 A, IP 55, 5 wire,
 hinged lid, suitable for 8pcs
 MCB, empty tap off box

KOP 0351 - P1

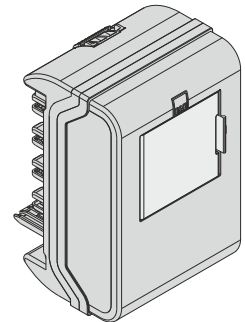
Sample Order:
 32 A, IP 55, 5 wire,
 hinged lid, suitable for 4pcs
 MCB, empty tap off box

KOP 0351 - P2



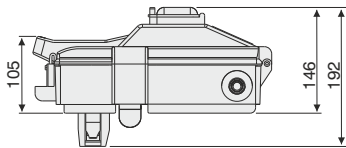
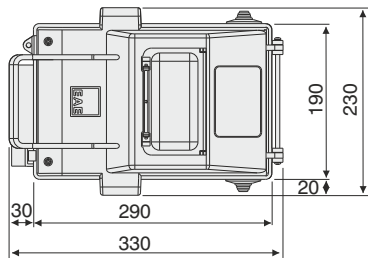
P1

suitable for 8pcs MCB



P2

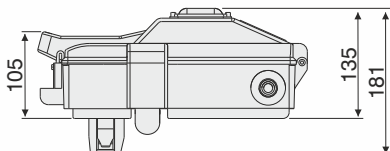
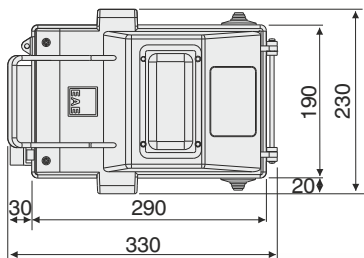
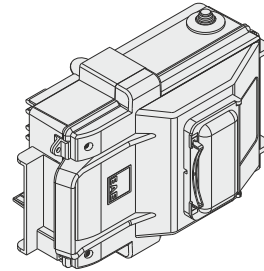
suitable for 4pcs MCB



KOP 0451-B1
KOP 0851-B1

Sample Order:
 40 A, IP 55, 5 wire, transparent
 hinged lid, suitable for MCB,
 empty tap off box

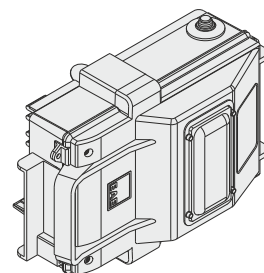
KOP 0451 - B1



KOP 0451-B2
KOP 0851-B2

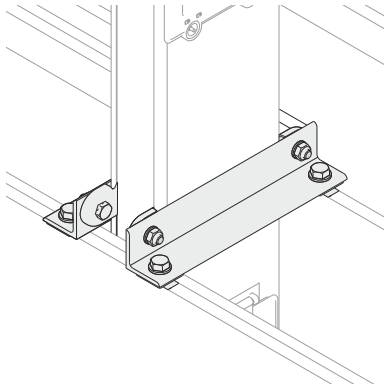
Sample Order:
 40 A, IP 55, 5 wire, transparent
 fixed lid, suitable for MCB,
 empty tap off box

KOP 0451 - B2

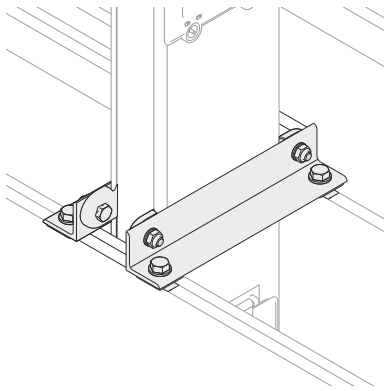
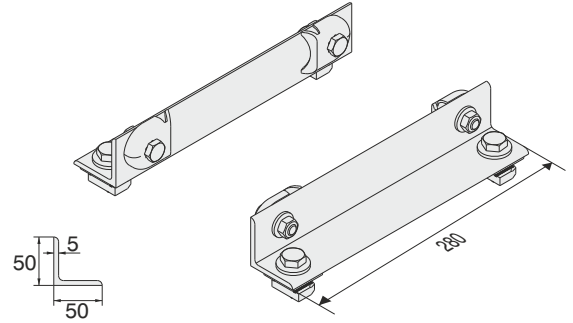


Please call us for non-standard components.

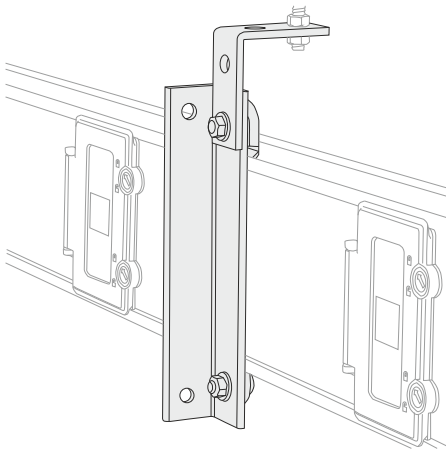
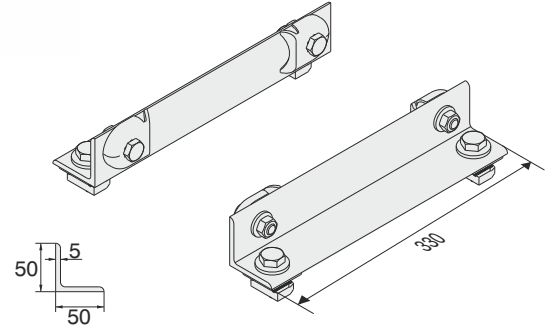
Supports



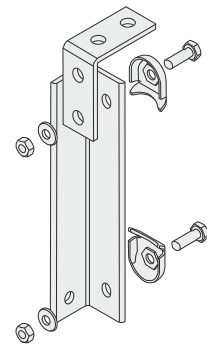
Description	Code
KO-II Vertical Riser Fixing Unit	3048476



Description	Code
KO-II Vertical Riser Fixing Unit (Fire Barrier)	3048995

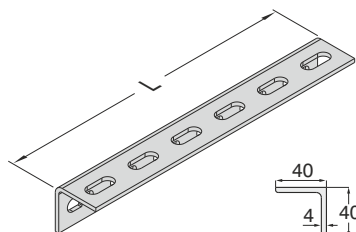


Description	Code
KO-II Horizontal Busbar Support Set	3116749

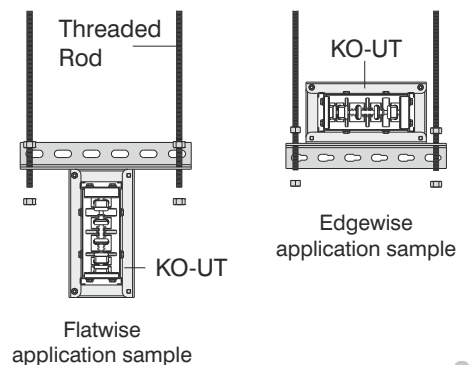


Tray Supports

Description	L (mm)	Code
UAS-K4 SUPPORT (1)	200	3005333
UAS-K4 SUPPORT (2)	250	3005332
UAS-K4 SUPPORT (3)	300	3005331
UAS-K4 SUPPORT (4)	350	3005330
UAS-K4 SUPPORT (5)	400	3005329
UAS-K4 SUPPORT (6)	500	3005328
UAS-K4 SUPPORT (7)	600	3005327
UAS-K4 SUPPORT (8)	700	3005326
UAS-K4 SUPPORT (9)	1100	3005325



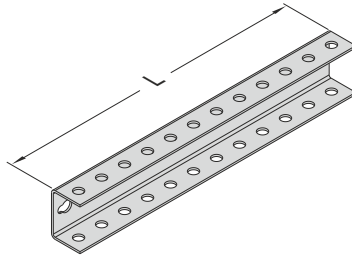
UAS-K4
L Support



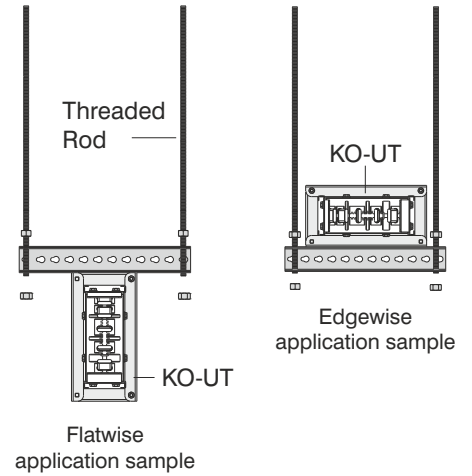
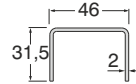
Flatwise
application sample

Tray Supports

Description	L (mm)	Code
ASU2A-1	135	3008589
ASU2A-2	250	3008587
ASU2A-3	500	3008585
ASU2A-4	1000	3008583
ASU2A-5	2000	3008168

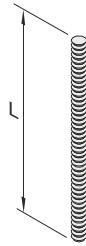


ASU2A



Connection Parts

Description	L (mm)	Code
BRA 11-05 Threaded Rod (M8)	500	5000039
BRA 11-10 Threaded Rod (M8)	1000	5000038
BRA 12-05 Threaded Rod (M10)	500	5000037
BRA 12-10 Threaded Rod (M10)	1000	5000032
BRA 10 Extension Part (M8)	-	1004313
BRA 13 Extension Part (M10)	-	1004312
BRA 9 EAE Pull-off Dowel (M8)	-	5000033
BRA 9 EAE Pull-off Dowel (M10)	-	5000023
M8 Steel Nut	-	1000521
M10 Steel Nut	-	1000522
M8 Washer	-	1000502
M10 Washer	-	1000504



Threaded Rod



Extension Part



EAE Pull-off Dowel



Steel Nut



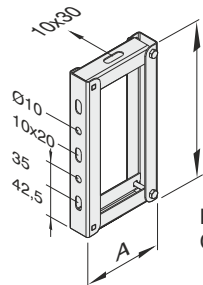
Washer

Current (A)	Aluminium (A) mm	Copper (A) mm
160	70	-
250	75	70
315	80	75
400	100	80
500	112	-
600	125	100
800	160	125

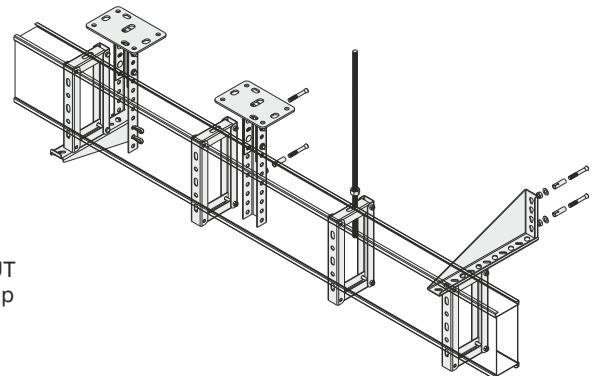
Busbar cross-section dimensions

Diameter of the hole to be drilled
M8.....Ø12
M10.....Ø14

Description	Current	A (mm)	Code
KOA - 1 UT Clamp	160	115	1004275
KOA - 2 UT Clamp	250	120	1004278
KOA - 3 UT Clamp	315	125	1004274
KOA - 4 UT Clamp	400	145	1004277
KOA - 5 UT Clamp	500	157	1004265
KOA - 6 UT Clamp	600	170	1004276
KOA - 8 UT Clamp	800	205	1007573
KOC - 2 UT Clamp	250	115	1004275
KOC - 4 UT Clamp	400	125	1004274
KOC - 6 UT Clamp	600	145	1004277
KOC - 8 UT Clamp	800	170	1004276



KO-UT Clamp



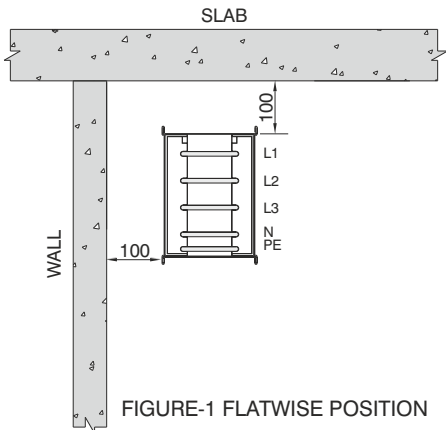


FIGURE-1 FLATWISE POSITION

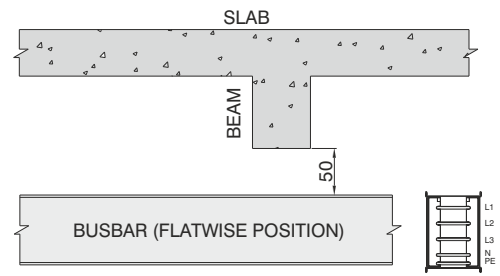


FIGURE-5 SAMPLE WALL CROSSING WITH FIRE BARRIER

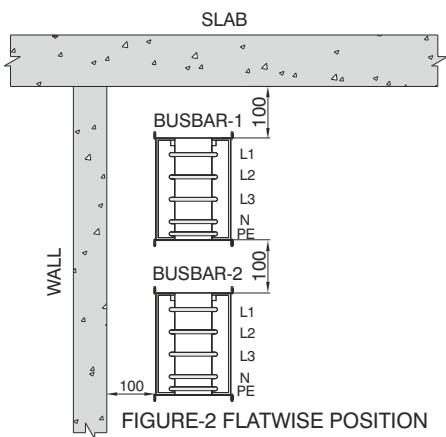


FIGURE-2 FLATWISE POSITION

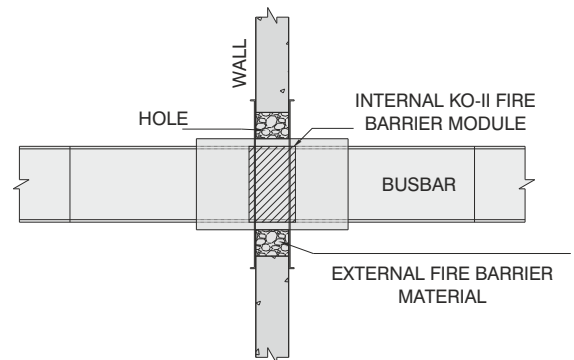


FIGURE-4 CROSSING UNDER A BEAM HORIZONTAL POSITION

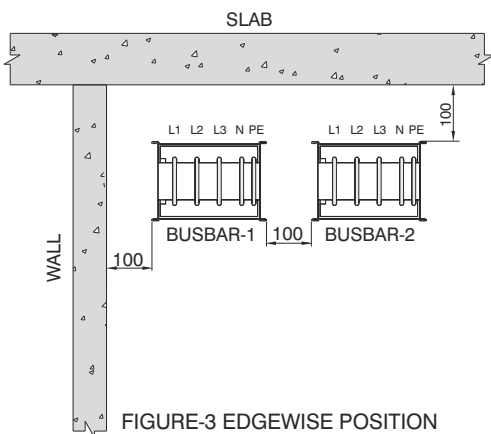


FIGURE-3 EDGEWISE POSITION

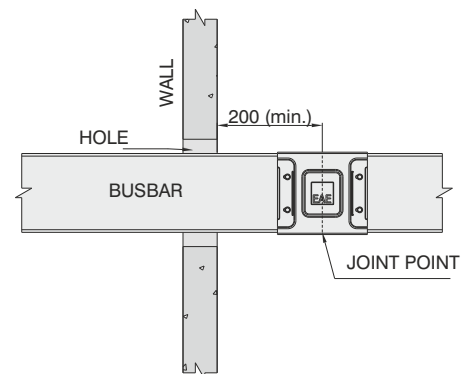


FIGURE-6 STANDARD WALL CROSSING

The dimensions given above are minimum values.

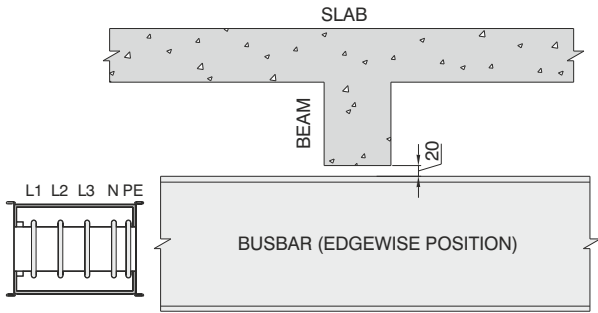


FIGURE-7 CROSSING UNDER A BEAM EDGEWISE POSITION

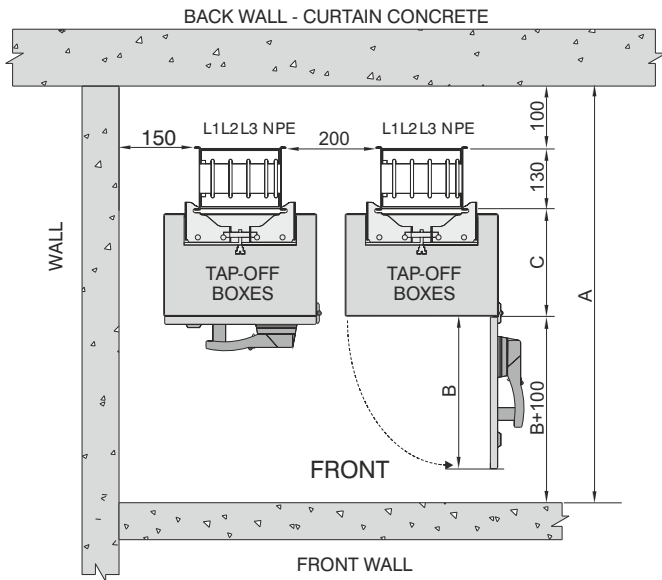


FIGURE-8 MINIMUM DIMENSIONS BETWEEN 2 TAP-OFF BOXES

NOTE : To determine the busbar layout in correct shaft measurement

$$A = B + C + 330$$

- A = Min distance from front wall
- B = Distance to open the cover of Tap off box
- C = Depth of Tap off box

Application of Tap off box on vertical lines

Neutral conductor position in housing should be on rightside from front view at vertical lines.

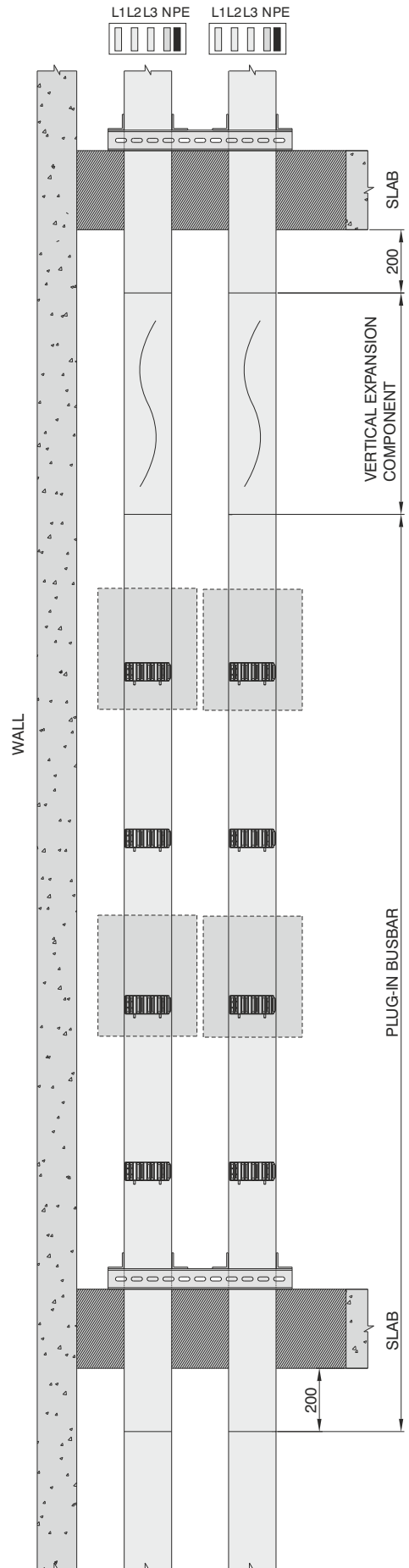


FIGURE-9 MINIMUM DIMENSIONS ON SHAFT APPLICATIONS

The dimensions given above are minimum values. All dimensions are given in mm.

►► Horizontal And Vertical Expansion Modules Application

Horizontal expansion module (YDT) application

It is used for longer horizontal runs as per the pictures shown below (Picture-1)

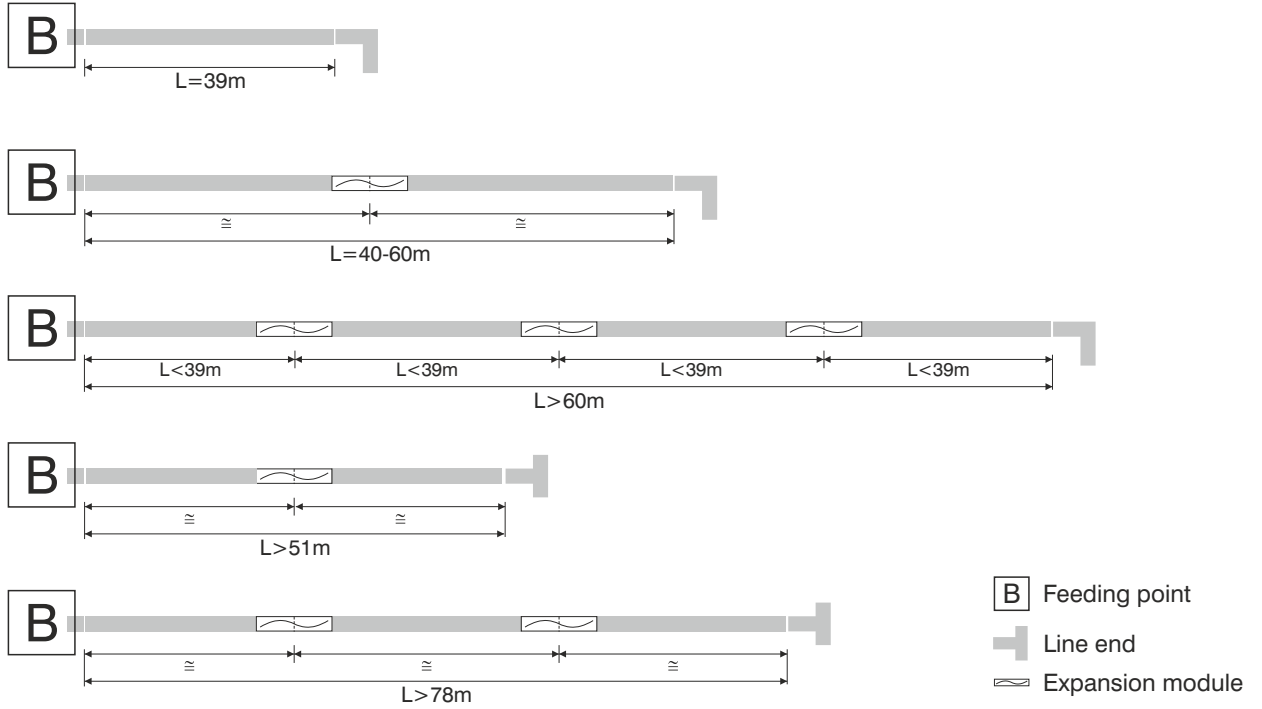


FIGURE-1 YDT APPLICATION

It is essential that a YDT is used if busbar runs cross a building expansion joint

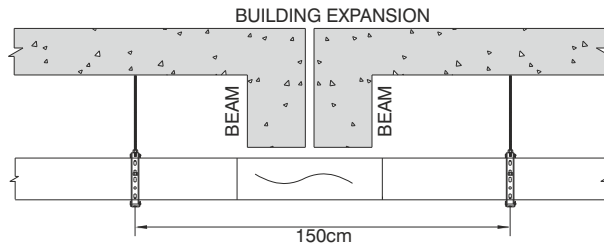


FIGURE-2 YDT BUILDING EXPANSION APPLICATION

Vertical expansion module (DDT) application

- 1-) DDT is used for vertical lines of multistorey buildings .
- 2-) DDT is used between two fixed supports at every floor crossing.

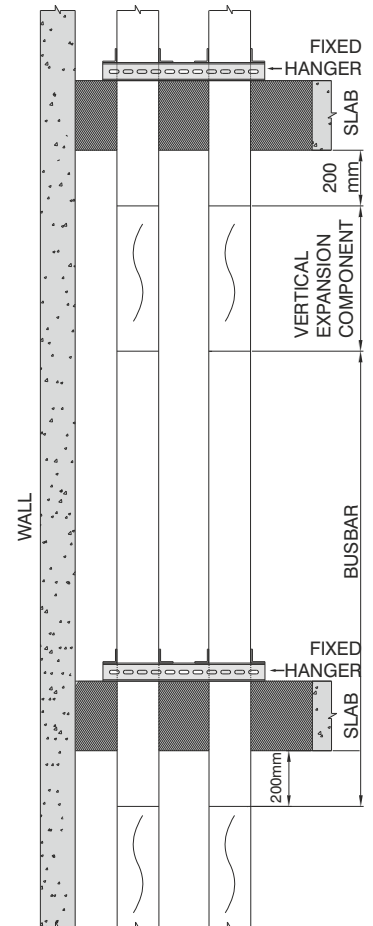
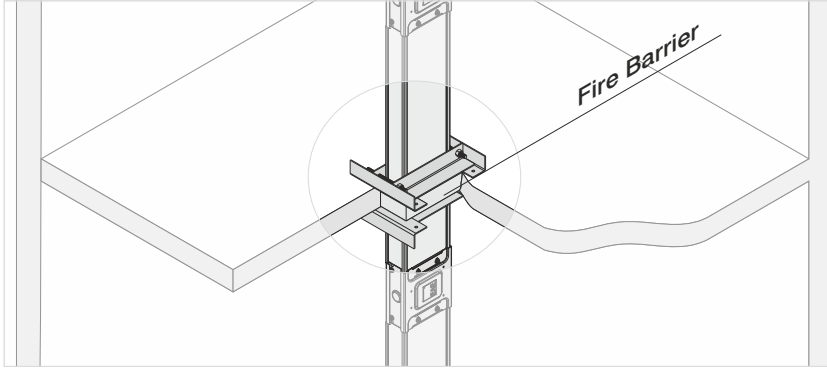
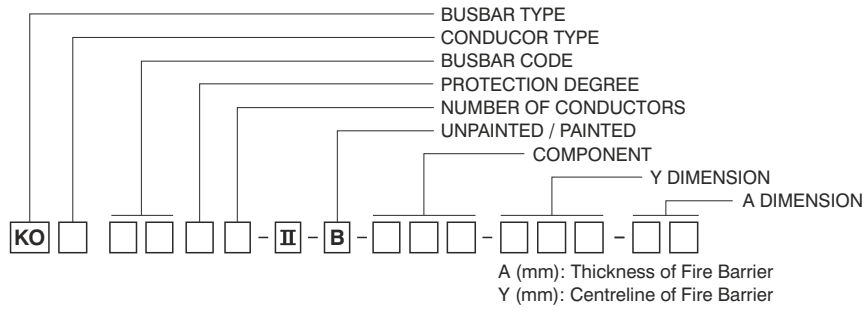


FIGURE-3 DDT APPLICATION



Sample Order:
250 A, Copper, IP 55, 5 Conductors
Fire Barrier

KOC 0255- II -STD-150-40

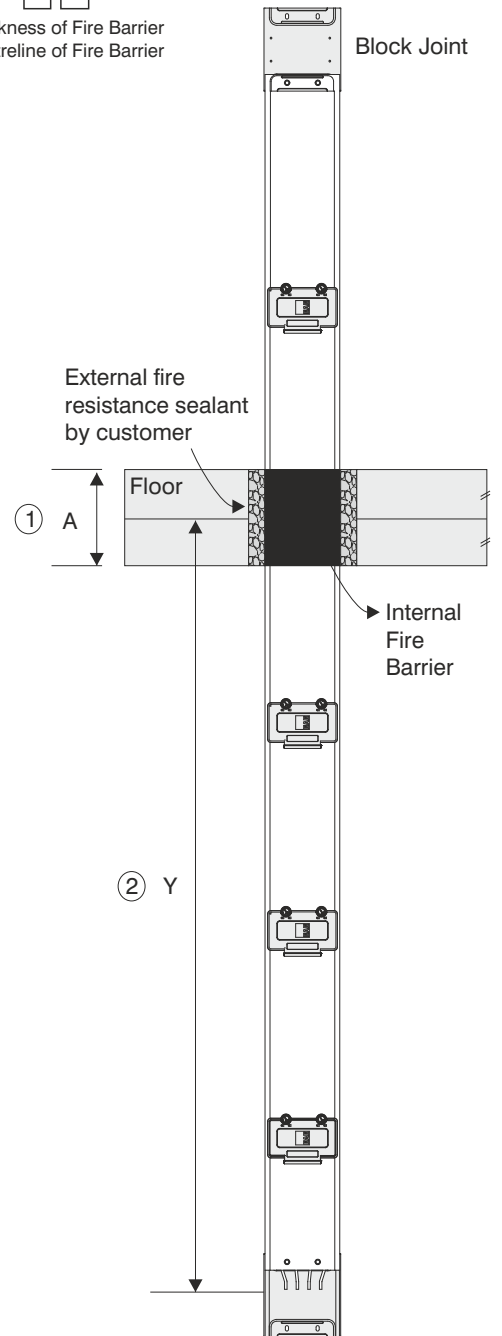
Fire Barriers

Fire barriers are used to prevent the transition of flame and smoke from one zone to another in case of fire. The fire barriers prevent the chimney effect of air insulated busbar.

Dimensioning of Fire Barrier

When placing an order for fire barriers to be installed in the **KO-II** busbar, the following information is required :

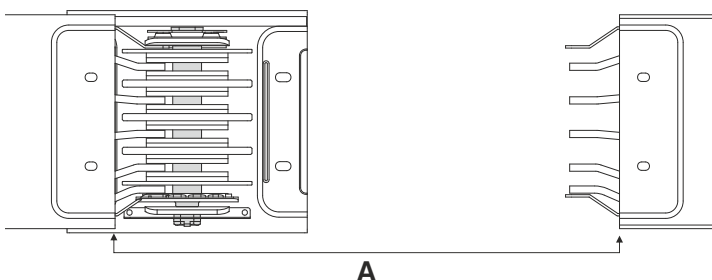
- 1- Thickness of floor or wall in cm. (A mm)
- 2- Centreline dimension of the fire barrier should be measured from the side without the block joint. (Y mm)
- 3- There will be no plug-in points at the fire barrier location.
- 4- EAE Supplies a 300 mm thick fire barrier as standard when wall or floor thickness is not stated.
- 5- The minimum length for these special elements with fire barrier is 600 mm.



►► Determination of Special Lengths

After the installation of standard 3m lengths, special lengths shorter than 3m may be required.

The minimum length for these special lengths is 350 mm. Please measure these special lengths as shown below.

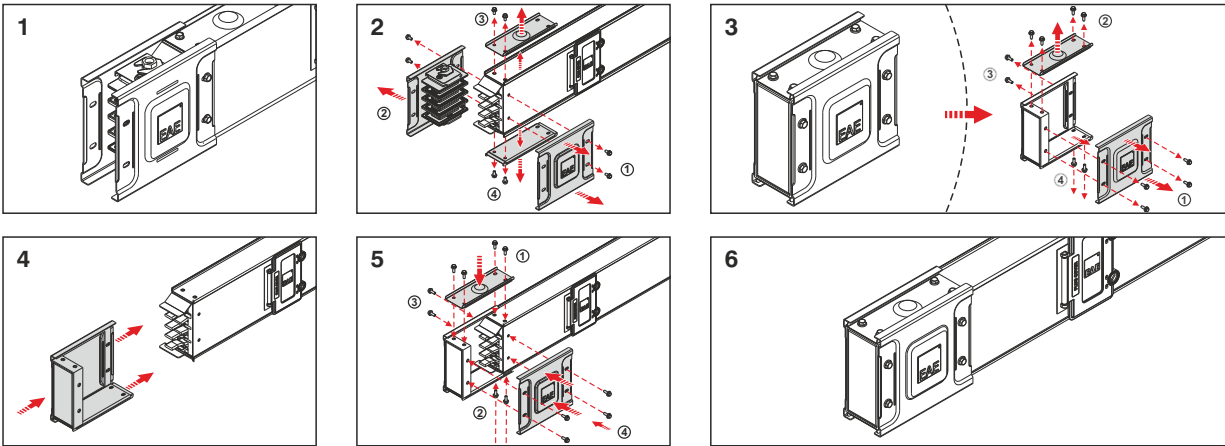


Measure "A" length in cm, to determine the length of special busbar subtract 12 from "A".

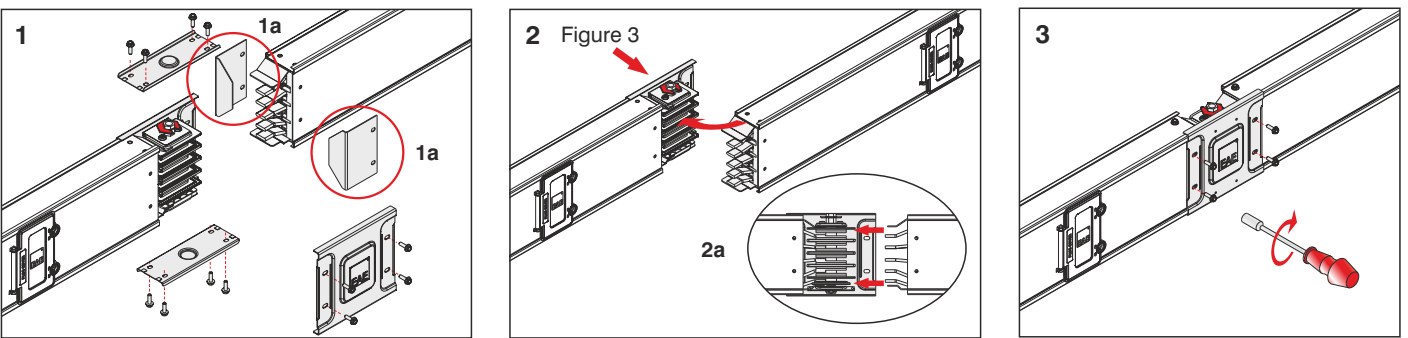
$$X = A - 120 \text{ (mm)} \quad X = \text{Length of Special Busbar}$$

Please call us for more information.

►► KO-II Installation of End Closer



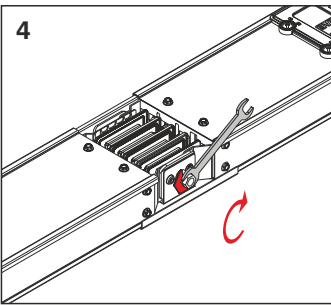
►► KO-II Mounting instructions for Joints



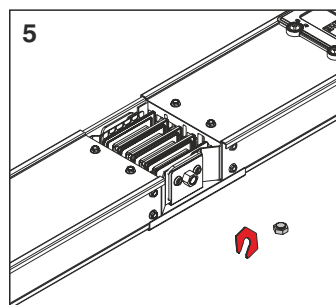
1- Remove joint top cover plate, joint side cover plate and the screws from non-block joint bolt. (Pieces marked as 1a should be thrown away.)

2- Introduce bolted and non-bolted ends of the busbar into each other carefully, until the cover plate screws can be put in.

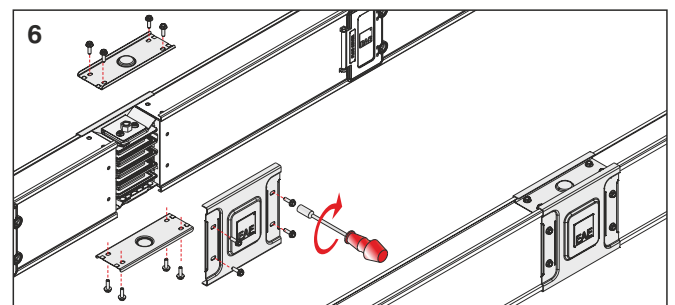
3- Fix the joint side cover of the block joint.



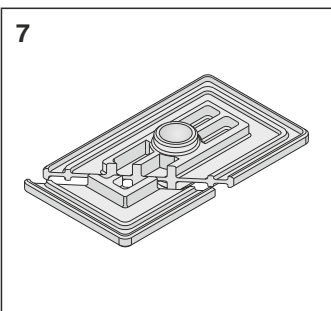
4- Tighten the double headed nut until upper nut is broken.



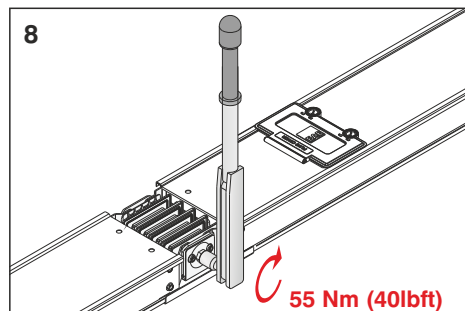
5- Take away the broken nut and plastic separator.



6- Install top and bottom joint cover plates. Check the joint before fitting the last joint side cover plate. Fit the joint cover side plate and tighten the screws. Check the position of the earth conductor when installing KO-II with five conductors.



7- Ensure that the insulation plates of the joint, are not cracked or broken.



8- If removal is required for any reason, tighten the nut using a calibrated torque wrench adjusted to 55 Nm (40 lbf) after re-fitting the block joint set.

CE DECLARATION OF CONFORMITY

Product Group E-Line KO-II Busbar Energy Distribution System

Manufacturer EAE Elektrik Asansor End. Insaat San. ve Tic. A.S.
Akcaburgaz Mahallesi, 3114. Sokak,
No:10 34522 Esenyurt-Istanbul

The objects of the declaration described below is in conformity with the relevant Union harmonisation legislation. This declaration of conformity is issued under the sole responsibility of the manufacturer.

Standard :

EN 61439-6

Low-voltage switchgear and controlgear assemblies - Part 6: Busbar trunking systems

IEC 61439-6

Low-voltage switchgear and controlgear assemblies - Part 6: Busbar trunking systems (busways)

CE - Directive

2014/35/EU "The Low Voltage Directive"

2014/30/EU "Electromagnetic Compatibility (EMC) Directive"

2011/65/EU "Restriction of the use of certain hazardous substances (RoHS)"

Technical Document Preparation Official:

EAE Elektrik Asansor End. Insaat San. ve Tic. A.S.
Akcaburgaz Mahallesi, 3114. Sokak, No:10 34522 Esenyurt-Istanbul

Emre GÜRLEYEN

Date

20.04.2016

Document Authorized Signatory

Elif Gamze KAYA OK
Deputy General Manager



	<p>CERTIFICATE</p> <p>EAE Elektrik Asa Insaat San. ve Ti Akçaburgaz Mah. 34510 Esenyurt Turkey</p>	
<p>For the product:</p>	<p>Low voltage busbar trunking system</p>	
	<p>EAE CRA08 Ue 1000 V, Ui 10 IP68, IK: 50J, for EAE Elektrik Asa Insaat San. ve Ti Akçaburgaz Mah. 34510 Esenyurt Turkey Design verificatio</p>	<p>low 20 kA – 1 s</p>
<p>Requirements:</p>	<p>IEC 61439-6: 2012; Clauses: 10.2.3, 10.2.6, 10.2.7, 10.2.101, 10.3, 10.4, 10.5, 10.9, 10.10, 10.11 and Annex BB, CC, and DD</p>	
	<p>Busbar trunking s is granted on acco 1.01-INC, dated 31 s been carried out attestation does not duction with the sp 13</p>	<p>joint and straight le JEKRA, the results the product, submi the manufacturer's is not the responsi 100</p>
	<p>n B.V. er his certificate and adjoi</p>	

DEKRA Certification B.V. Utrechtseweg 310, 6812 AR Amhem P.O. Box 5185, 6002 ED Amhem, The Netherlands
T +31 88 96 53000 F +31 88 96 83100 www.dekra-certification.com Company registration 09085396

160A 800A BUSBAR SYSTEM PRODUCT OVERVIEW (E-LINE KO-II)

1- Standards & Certification:

- Busbar system shall be designed and manufactured as per IEC 61439-6 standard. Each individual rated busbar shall have separate type test certificate from an independent internationally accredited laboratory.
- Manufacturing facility of busbar systems shall have ISO 9001 and ISO 14001 certification.
- Busbar system shall have CE marking.
- Each product shall have a "Type Label", which indicates the brand, type of the unit, conductor number and electrical details.

2- General Structure of Products:

- Busbar system shall be Air-Insulated and Plug-in type. Aluminium or Copper conductors shall be tin plated along the entire length. Housing shall be galvanized steel or if required RAL 7038-Electrostatic painted.

2.1- Electrical Characteristics:

- Busbar systems nominal insulation voltage shall be 1000V.
- As per ampere rates, minimum short circuit values shall be like below:

	For Aluminium Conductor;	For Copper Conductor;
	160A: 1sec/rms-10kA, Peak-17kA	250A - 315A: 1sec/rms-18kA, Peak-36kA
	250 and 315A: 1sec/rms-15kA, Peak-30kA	400A: 1sec/rms-25kA, Peak-52,5kA
	400 and 500A: 1sec/rms-30kA, Peak-63,5kA	600A and above: 1sec/rms-35kA, Peak-73,5kA
	600A and above: 1sec/rms-35kA, Peak-73,5kA	

2.2- Housing and Structure:

- Busbar system shall be of air insulated type. The bars shall be supported by insulators installed into the housing at every 25 cm.
- On a three meter standard length busbar the distance between the plug-in points on one side shall be 50cms. The points shall be on both sides of the busbar making the average distance of plug-in points 25cm.
- To prevent wrong alignment of the phase sequence during installation there shall be mechanical barriers on the joint that shall ensure correct mounting.
- IP Plug-in covers of the busbar system should be hinged. Plug-in windows shall have automatic shutter system. This shutter shall open automatically when the earth contact of tap-off box is inserted.
- Busbar system shall have all necessary accessories (elbows, offsets, panel-transformer connections, reductions, etc). Manufacturer shall supply special dimensioned units in short time, if the project conditions requires.
- For horizontal runs, a horizontal expansion unit shall be used at every 40m and expansion points of the building.
- For vertical applications, a vertical expansion unit shall be used at every floor. Busbar system shall be rigidly fixed by supports at every floor.

2.3- Conductors:

- Busbar system shall have Nickel and Tin-plated 6101 class aluminium conductors (160-800A). / Busbar system shall have Tin-plated Electrolytic copper conductors (250-800A).
- Busbar system shall have below number of conductors and phase configuration;

- 4 Conductors:(4 full size conductors + Housing (earthing)
- 4 ½ Conductors :(4 full size conductors + ½ earth conductor + Housing)
- 5 Conductors :(5 full size conductors + Housing (earthing))
- 5 Conductors :(5 full size conductors, 5th bar shall be used as clean earth + Housing).

- Neutral conductor shall have the same cross-section (100%) of phase conductors.

2.4- Insulation:

- Busbars shall have air-insulation system.
- Rated insulation voltage of the system shall be 1000 V.

2.5- Joint Structure:

- Electrical and mechanical connection shall be made at joints by "single bolt" joint construction and each joint shall have two "Belleville" washers.
- Insulators of the joint shall be manufactured of glass-reinforced polyester.
- Joints shall be realized by a torque spanner (wrench) set at 55 Nm.
- To prevent the joints from transportation damages, they shall be protected by metal caps, which shall be removed before installation.
- Joint bolt shall be locked from both sides (Bolt head and nut).

2.6- Protection:

- Protection degree of the busbar system shall be minimum IP55.

3- Tap Off Boxes:

- Rating of plug-in tap off boxes shall be up to and including 400A. Plug-in tap off boxes shall be installed, when the busbar line is energized.
- Tap off boxes shall have an electrical interlock mechanism, which ensures that plug-in tap off box cannot be removed mechanically from the busbar, when the switch is at "ON" position. Mechanical interlock mechanism shall prevent the cover of the box from opening, when the switch is at "ON" position.
- When the switch is at "OFF" position and the cover is open, tap off box shall provide IP2X protection level. (There shall not be any accessible live part in the box).
- Tap Off boxes shall be suitable for any brand of MCB.
- Contacts of plug-in tap off box shall be silver-plated copper.
- While inserting the contacts of Plug-in tap off boxes, earth contact shall make first contact.
- Tap off boxes up to 80A shall be manufactured of (850 GLW) type plastic material. Tap off boxes from 160A up to 400A shall be manufactured of sheet steel and epoxy painted RAL 3020.

4- Installation and Commissioning:

- Busbar systems shall be installed as per single-Line drawings respect to required ampere rates and manufacturer installation guide (torque values, lockers, etc.). Electrical installer shall run an insulation test after installation according to manufacturer's test procedures. The results of the test shall be reported to the manufacturer. Minimum insulation value shall be 1Mohm.

Component List	Quantity	Component
Item		

Company :

Project :


Project No :

Name :

Date :

Signature :

Prepared by




Please duplicate this page for your own use.

Component List	Quantity	Component
Item		

Company :
Project :
Project No :

Prepared by
Name :
Date :
Signature :



Please duplicate this page for your own use.

PRODUCT TYPES

BUSBAR ENERGY DISTRIBUTION SYSTEMS



CABLE TRAYS



TROLLEY BUSBAR ENERGY DISTRIBUTION SYSTEMS



INDOOR SOLUTIONS



SUPPORT SYSTEMS



Please visit our website for the updated version of our catalogues.
www.eae.com.tr/EN



EAE Elektrik A.S.
Akcaburgaz Mahallesi,
3114. Sokak, No:10 34522
Esenyurt-Istanbul-TURKEY
Tel: +90 (212) 866 20 00
Fax: +90 (212) 886 24 20

Please visit our website for the updated version of our catalogues.
www.eae.com.tr/EN



Catalogue 13-Eng. / Rev 10 2.000 pcs. 14/09/2018
A.C.E.

EAE has full right to make any revisions or changes on this catalogue without any prior notice.