



# DABLINE

Underfloor Busbar Systems (63-80A)



**DABLINE**





# CONTENTS

---

## ►► DABLINE

---

Introduction.....	2-3
Technical Characteristics .....	4
Order Code System & Conductor Configuration .....	5
Standard Straight Length .....	6
Feeder Boxes & Elbows .....	7
Tap Off Plugs .....	8
Tap Off Boxes .....	9
Joint Installation .....	10
Plug Installation .....	11
Feeder Box Installation .....	12
System Manual.....	13
Floor "U" Support Installation Manual.....	14
Application Area & Advantages .....	15
Product Overview .....	16
CE Declaration .....	17
Certificates.....	18-19
Project Design Form.....	20

# DABLINE

## ►► General Characteristics

### **FAST, EASY AND SAFE ASSEMBLY**

- Addressable Tap-off Plugs
- Spring Contacts
- Integral Fixing Brackets
- Plug-in outlets every 300mm or 600mm option
- 1200mm-2400mm-3000mm optional straight lengths
- Max. Height of the busbar is 49mm

#### **One Bolt Joint Assembly**

Achieved with a single action by driving the mechanical and electrical joint silver coated springing contacts towards each other. Only one bolt is needed to fix the joint.

#### **Silver Plated Contacts**

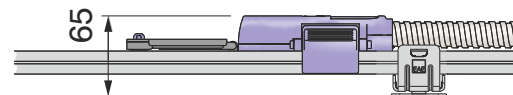
- The contacts at the joining points of the busbar and the contacts of all tap-off units are silver plated
- The silver plating minimises the contact impedances, thus preventing the over-heating of the contacts in case of possible over-loads

#### **MAXIMUM SAFETY**

- IP55 Protection Degree
- Single Bolt joints
- Electrical Joints are Silver Plated
- Fully insulated conductors
- Halogen Free plastics up to 960 °C Fire rating
- Keyed Tap-off Plugs
- Different colours for different type busbars

#### **Tin Plated Conductors**

The formation of Copper Oxide is prevented by tin plating the full length of the electrolytic copper conductors. With this process, contact resistances are minimised. The contacts of the tap-off plugs grip the busbar conductors on two surfaces



**Maximum height 65 mm**

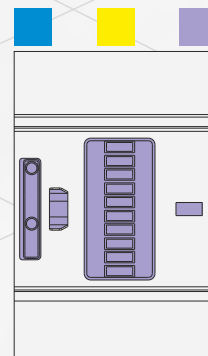
Can be used in 65mm floor voids

#### **Coded Tap-off Plugs**

Arrangement of DABLINE Busbar Systems are designed with different pins to prevent incorrect assembly

## PERFORMANCE

- Tested according to IEC 61439-6
- Rated up to 80A
- Up to 32A plugs available
- Optional plugs with MCB
- Housing is painted galvanised sheet steel
- High corrosion resistance
- 4 conductors (L1/L2/L3/N/PE (Housing))
- 5 conductors + PE (Housing) (L1/L2/L3/N/CE/PE (Housing))
- Tin plated electrolytic copper conductors
- Plastic Housing Feeder Box
- 3 or 5m Galvanised steel or plastic tap-off conduit

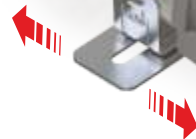


### Colour Coded

Each busbar type has a different colour code

### Support System

Each busbar length is complete with integral floor fixing brackets.



### IP55 Plug-in Outlets

Plug-in outlets have IP55 protection covers with EPDM type gaskets

Rated Current	$I_n$	A	63	80
<b>Busbar Code</b>			<b>06</b>	<b>08</b>
Main Standards	IEC 61439-6:2012 Ed.1 ; IEC 61439-1 Ed.2:2011, TS EN 61439-1: 2011			
Rated Isolation Voltage	$U_i$	V	690	690
Rated Operational Voltage	$U_e$	V	690	690
Rated Frequency	f	Hz	50	50
Pollution Degree	III			
Protection Degree	IP55			
External Mechanical Impacts (IK Code)*	IK07			
Protection for Safety	Basic Protection (HD 60364-4-41, Clause A1)			
Rated Conditional Short Circuit Current	$I_{cc}$	kA	16	16
<b>MECHANICAL DATA</b>				
Number of Conductor			3 to 5	3 to 5
Conductor Cross-section		mm <sup>2</sup>	8	12,6
Housing Cross-section (Cu equivalent)		mm <sup>2</sup>	13	13
Cable Terminal Capacity		mm <sup>2</sup>	16	16
Cable Section of 32A Plug		mm <sup>2</sup>	4	4
Cable Section of 13A Plug with Fuse		mm <sup>2</sup>	1,5 / 2,5	1,5 / 2,5
Plug Conduit (Up to 4 conductor)		mmØ	16	16
Plug Conduit (With 5 and 6 conductor)		mmØ	20	20
Flexible Corner Element Cable		mm <sup>2</sup>	10	10
Flexible Corner Conduit		mmØ	25	25
Busbar Weight - for 5 conductor		kg/m	1,46	1,57
<b>MATERIAL FACILITY</b>				
Housing			Painted Galvanised Steel	
Busbar Conductor			High Conductivity Copper	
Busbar Isolators			PPx-FR (according to RoHS and REACH standards)	
Busbar Connection / Plug / Feeder Connections			PPx-FR (according to RoHS and REACH standards)	
Socket Outlet Entry Shutters			PPx-FR (according to RoHS and REACH standards)	
Plug Body			PPx-FR (according to RoHS and REACH standards)	
Busbar Cable Connections			Copper	
Plug Connections			Copper	
Plug / Flexible Corner Conduit (Metal)			Galvanised Steel	
Plug Conduit (Plastic)			PA6, Halogen Free	
Plug (Cable)			LSOH - BS EN 50525-3-41 / TS EN 50525-3-31	
Flexible Corner Connection Cable		mm <sup>2</sup>	16	16
Feeder Module / Flexible Connection Box			PPx-FR (according to RoHS and REACH standards)	
Feeder Module Connection Terminal / Earthing Terminal			Brass	
Busbar Fixing Element			Galvanised Steel	
<b>MEAN PHASE CONDUCTOR CHARACTERISTICS AT RATED CURRENT <math>I_n</math></b>				
Resistance at a conductor temperature of 20 °C	$R_{20}$	mW/m	2,293	1,483
Resistance at an ambient air temperature of 35 °C	R	mW/m	3,063	1,981
Reactance (Independent from Temperature)	X	mW/m	0,422	0,273
Positive and negative sequence impedances at an ambient air temperature of 35 °C	Z	mW/m	3,092	2,000
Positive and negative sequence impedances at a conductor temperature of 20 °C	$Z_{20}$	mW/m	2,331	1,507
<b>MEAN FAULT-LOOP CHARACTERISTICS</b>				
<b>Zero-sequence Impedance</b>				
Zero-sequence impedance at a conductor temperature of 20 °C	$Z_{(0)b20pH}$	mW/m	10,125	6,702
Zero-sequence impedance at a conductor temperature of 20 °C	$Z_{(0)b20pHPE}$	mW/m	8,951	8,676
Zero-sequence impedance at a conductor temperature of 20 °C	$Z_{(0)b20pHCPE}$	mW/m	10,619	6,630
Zero-sequence impedance at an ambient air temperature of 35 °C	$Z_{(0)b35pH}$	mW/m	13,481	8,883
Zero-sequence impedance at an ambient air temperature of 35 °C	$Z_{(0)b35pHPE}$	mW/m	11,804	11,466
Zero-sequence impedance at an ambient air temperature of 35 °C	$Z_{(0)b35pHCPE}$	mW/m	14,092	8,793
<b>Resistances and Reactances</b>				
Resistance at a conductor temperature of 20 °C	$R_{b20pHph}$	mW/m	4,846	3,151
Resistance at a conductor temperature of 20 °C	$R_{b20pH}$	mW/m	4,830	3,181
Resistance at a conductor temperature of 20 °C	$R_{b20pHPE}$	mW/m	4,865	4,158
Resistance at a conductor temperature of 20 °C	$R_{b20pHCPE}$	mW/m	4,987	3,206
Resistance at an ambient air temperature of 35 °C	$R_{b35pH}$	mW/m	6,475	4,210
Resistance at an ambient air temperature of 35 °C	$R_{b35pH}$	mW/m	6,454	4,251
Resistance at an ambient air temperature of 35 °C	$R_{b35pHPE}$	mW/m	6,501	5,556
Resistance at an ambient air temperature of 35 °C	$R_{b35pHCPE}$	mW/m	6,664	4,285
Reactance (Independent from temperature)	$X_{b35pH}$	mW/m	0,477	0,380
Reactance (Independent from temperature)	$X_{b35pH}$	mW/m	0,500	0,531
Reactance (Independent from temperature)	$X_{b35pHPE}$	mW/m	1,098	1,128
Reactance (Independent from temperature)	$X_{b35pHCPE}$	mW/m	0,729	0,517

- All phase conductor characteristics had been determined according to Annex BB of IEC 61439-6.
- Fault-loop zero-sequences impedances had been determined according to Annex CC of IEC 61439-6.
- Fault-loop resistances and reactances had been determined according to Annex DD of IEC 61439-6.

BUSBAR  
BUSBAR RATING  
CONDUCTOR CONFIGURATION  
COMPONENTS

**DAB 06 04 - S T D**

**Busbar Type**

63 A	06
80 A	08

**Busbar Rating**

4 Conductors (Coloured Yellow)	04
5 Conductors (Coloured Blue)	05
5 Conductors (Coloured Lilac)	06

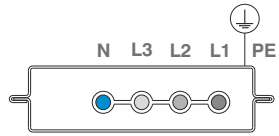
**Conductor Configuration**

**Components**

Standard Length	STD
Feeder Box	B1
Flexible Elbow	ED

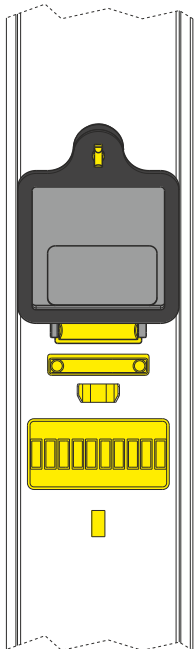
### Conductor Configuration

COLOURED YELLOW - 04



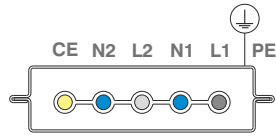
3L+N+PE(Housing)

3 Phase System



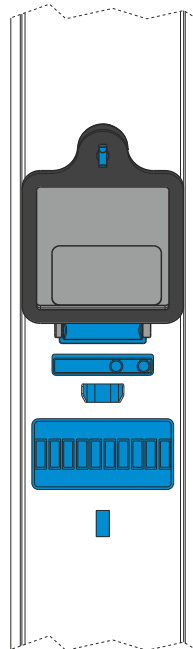
Addressable Pins

COLOURED BLUE - 05



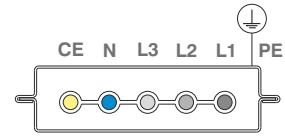
2L+2N+CE+PE(Housing)

Dual Circuit Busbar



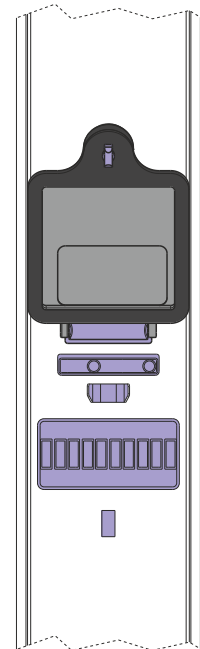
Addressable Pins

COLOURED LILAC - 06



3L+N+CE+PE(Housing)

3 Phase / Clean Earth



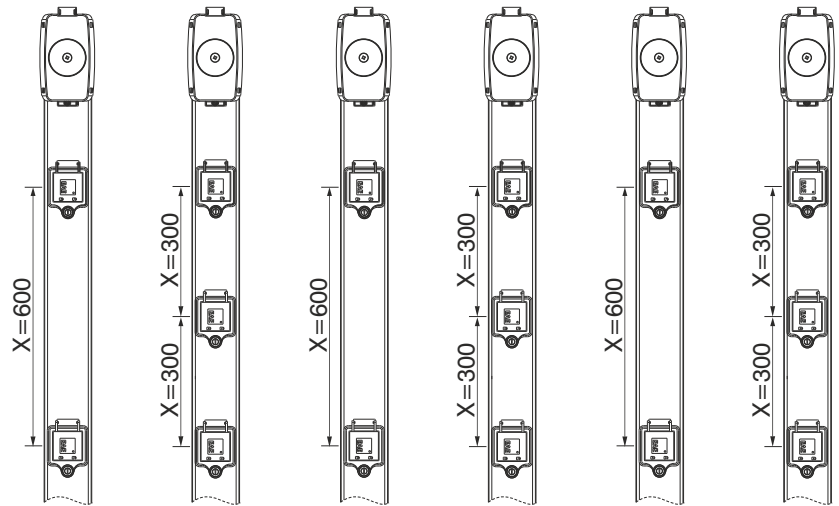
Addressable Pins

### Busbar Systems (63A)

Description	Busbar Length (mm)					
	1200		2400		3000	
	Number of Plug-in Points (pc)					
	2	3	4	7	5	9
DAB 0604 - STD Coloured Yellow	3066743	3066744	3066745	3066746	3066747	3066748
DAB 0605 - STD Coloured Blue	3066749	3066750	3066751	3066752	3066753	3066754
DAB 0606 - STD Coloured Lilac	3066755	3066756	3066757	3066758	3066759	3066760

### Busbar Systems (80A)

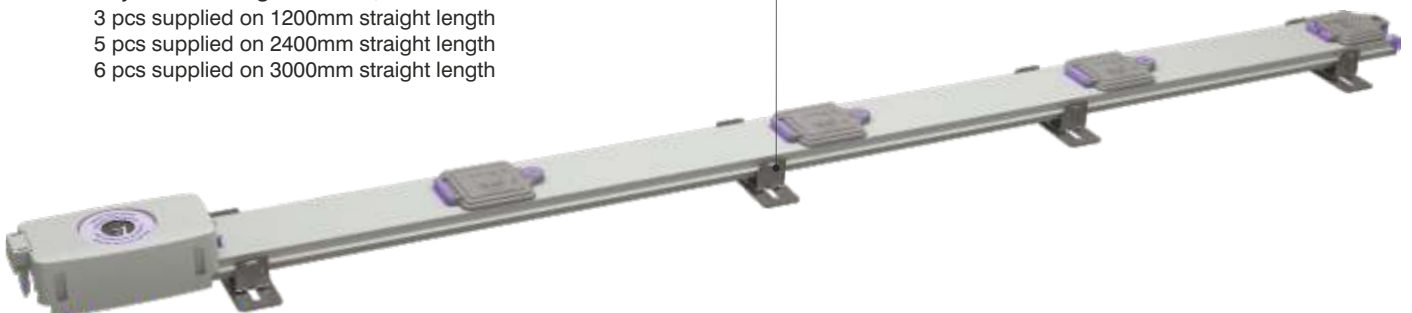
Description	Busbar Length (mm)					
	1200		2400		3000	
	Number of Plug-in Points (pc)					
	2	3	4	7	5	9
DAB 0804 - STD Coloured Yellow	3066773	3066774	3066775	3066776	3066777	3066778
DAB 0805 - STD Coloured Blue	3066779	3066780	3066781	3066782	3066783	3066784
DAB 0806 - STD Coloured Lilac	3066785	3066786	3066787	3066788	3066789	3066790



X=Distance between plug-in outlets

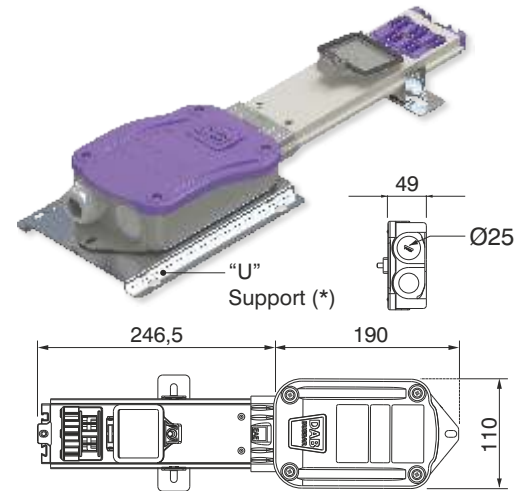
#### Adjustable Fixing Bracket

- 3 pcs supplied on 1200mm straight length
- 5 pcs supplied on 2400mm straight length
- 6 pcs supplied on 3000mm straight length





B1- Feeder Box			Code	
Description			(63A)	(80A)
Yellow	B1 Coloured Yellow	3L+N+PE(Housing)	3066793	3066813
Blue	B1 Coloured Blue	2L+2N+CE+PE(Housing)	3066794	3066814
Lilac	B1 Coloured Lilac	3L+N+CE+PE(Housing)	3066795	3066815

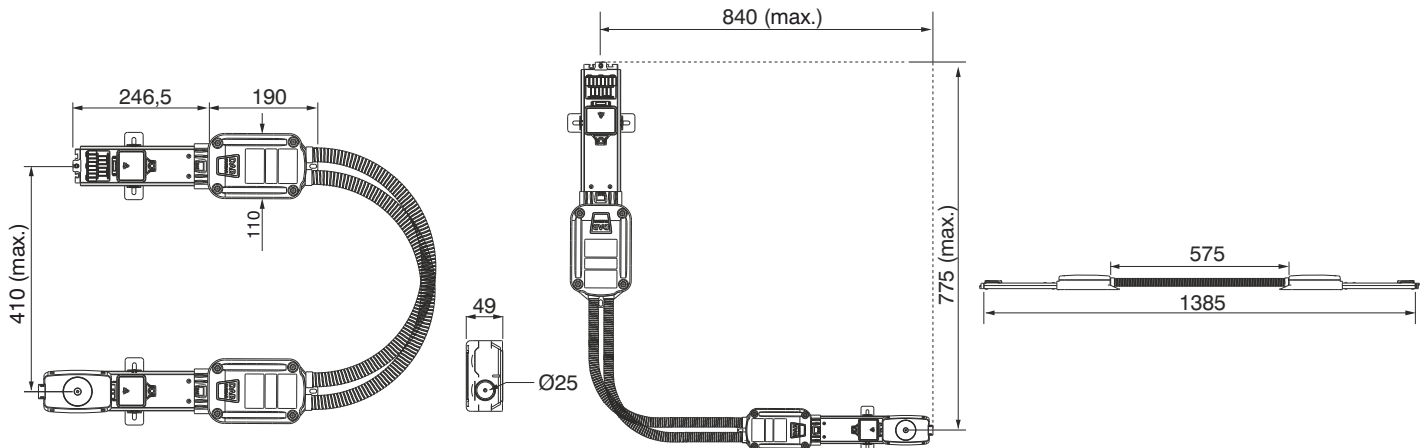
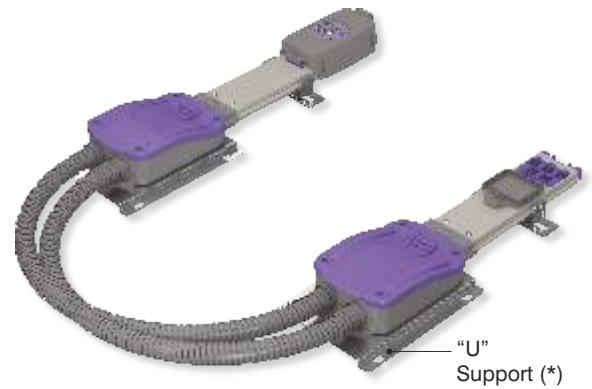


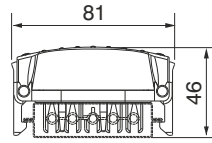
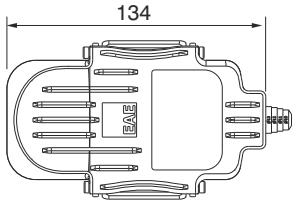
### ATTENTION!

(\*) The Feeder Box and Flexible Elbow modules must be used together with the “U” support.

### ED - Flexible Elbow

Description	Conduit		Code	
	Steel	Plastic	(63A)	(80A)
Yellow	✓		3066805	3066825
3L+N+PE(Housing)		✓	3066806	3066826
Blue	✓		3066807	3066827
2L+2N+CE+PE(Housing)		✓	3066808	3066828
Lilac	✓		3066809	3066829
3L+N+CE+PE(Housing)		✓	3066810	3066830





**13A Cylindrical Fuse**  
**13A Unfused**  
**16A Cylindrical Fuse**  
**16A Unfused**  
**32A Unfused**

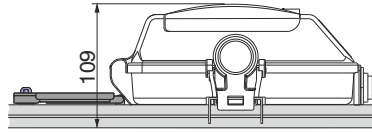
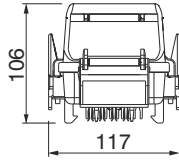
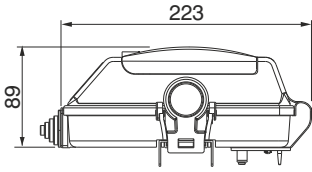
### Tap Off Plugs (Unfused and Complete with 6x25 Fuse BS 1362 and 8x32 Fuse IEC 60269-1,2,3 )

Type	Conductor Configuration <sup>(1)</sup>	Conduit <sup>(2)</sup>	3m LSF Cable <sup>(5)</sup>					5m LSF Cable <sup>(5)</sup>					Without Cable			
			Fused <sup>(3)</sup>		Unfused			Fused <sup>(3)</sup>		Unfused			Fused <sup>(3)</sup>	Unfused		
			13A <sup>(4)</sup>	16A <sup>(4)</sup>	13A <sup>(4)</sup>	16A <sup>(4)</sup>	32A <sup>(4)</sup>	13A <sup>(4)</sup>	16A <sup>(4)</sup>	13A <sup>(4)</sup>	16A <sup>(4)</sup>	32A <sup>(4)</sup>	16A <sup>(6)</sup>	16A <sup>(6)</sup>	32A <sup>(6)</sup>	
Coloured Yellow 4 conductors	L1     N   PE	Steel	3035744	3049211	3035972	3049237	3036029	3035756	3049263	3035978	3049289	3036032	3048905	3048906	3048907	
		Plastic	3035748	3049212	3035975	3049238	3034621	3035760	3049264	3035981	3049290	3034622				
	L2   N   PE	Steel	3035745	3049213	3035973	3049239	3036030	3035757	3049265	3035979	3049291	3036033	3048908	3048909	3048910	
		Plastic	3035749	3049214	3035976	3049240	3034623	3035761	3049266	3035982	3049292	3034624				
	L3   N   PE	Steel	3035746	3049215	3035974	3049241	3036031	3035758	3049267	3035980	3049293	3036034	3048911	3048912	3048913	
		Plastic	3035750	3049216	3035977	3049242	3034625	3035762	3049268	3035983	3049294	3034626				
	L1 L2 L3   N   PE	Steel		3049217	3036035	3049243	3036264		3049269	3036037	3049295	3036265	3048914	3048915	3048916	
		Plastic		3049218	3036036	3049244	3034627		3049270	3036038	3049296	3034628				
	Coloured Blue 5 conductors	L1 N1       PE	Steel	3046665	3049219	3046667	3049245	3046669	3046671	3049271	3046673	3049297	3046675	3048917	3048918	3048919
			Plastic	3046666	3049220	3046668	3049246	3046670	3046672	3049272	3046674	3049298	3046676			
		L2   N2   CE   PE	Steel	3046677	3049221	3046679	3049247	3046681	3046683	3049273	3046685	3049299	3046687	3048920	3048921	3048922
			Plastic	3046678	3049222	3046680	3049248	3046682	3046684	3049274	3046686	3049300	3046688			
L1 N1 L2 N2 CE   PE		Steel		3049223	3036039	3049249	3036266		3049275	3036041	3049301	3036271	3048923	3048924	3048925	
		Plastic		3049224	3036040	3049250	3034629		3049276	3036042	3049302	3034630				
Coloured Lilac 5 conductors	L1     N   CE   PE	Steel	3035960	3049225	3035948	3049251	3035936	3035962	3049277	3035950	3049303	3035938	3048926	3048927	3048928	
		Plastic	3035961	3049226	3035949	3049252	3035937	3035963	3049278	3035951	3049304	3035939				
	L2   N   CE   PE	Steel	3035964	3049227	3035952	3049253	3035940	3035966	3049279	3035954	3049305	3035942	3048929	3048930	3048931	
		Plastic	3035965	3049228	3035953	3049254	3035941	3035967	3049280	3035955	3049306	3035943				
	L3   N   CE   PE	Steel	3035968	3049229	3035956	3049255	3035944	3035970	3049281	3035958	3049307	3035946	3048932	3048933	3048934	
		Plastic	3035969	3049230	3035957	3049256	3035945	3035971	3049282	3035959	3049308	3035947				
	L1 L2 L3   N   CE   PE	Steel		3049231	3036043	3049257	3036281		3049283	3036045	3049309	3036283	3048935	3048936	3048937	
		Plastic		3049232	3036044	3049258	3036282		3049284	3036046	3049310	3036284				

- 1- PE = Housing  
CE = Isolated Clean Earth  
Please call us for non-standard phase sequence.
- 2- Zinc Plated Steel Conduit  
PA6 Halogen Free Plastic Conduit
- 3- with 13A 6x25 BS1362 Cylindrical Fuse  
with 16A 8x32 IEC 60269-1,2,3 Cylindrical Fuse  
Note: Cylindrical fuse link included.

- 4- 13A Plug with 1,5mm<sup>2</sup> Cross Section Cable  
16A Plug with 2,5mm<sup>2</sup> Cross Section Cable  
32A Plug with 4mm<sup>2</sup> Cross Section Cable.
- 5- LSF: Low Smoke&Fume
- 6- For 16A plug; 2,5mm<sup>2</sup> connector terminal and Ø16 (mono-phase) and Ø21(three-phase) fixing hole for cable conduit.  
For 32A plug; 4mm<sup>2</sup> connector terminal and Ø21 fixing hole for cable conduit.

**Note: When you supply tap-off plugs without cable and spirals, which it is like used later in construction, you should ground the metal spiral.**



### Tap Off Boxes (Unfused and Complete with MCB options)

Type	Conductor Configuration <sup>(1)</sup>	Conduit <sup>(2)</sup>	32A <sup>(3)</sup>									
			3m LSF Cable <sup>(4)</sup>		5m LSF Cable <sup>(4)</sup>		Without Cable					
			Unfused <sup>(6)</sup>	with MCB <sup>(5)</sup>	Unfused <sup>(6)</sup>	with MCB <sup>(5)</sup>	Unfused <sup>(6)</sup>	with MCB <sup>(5)</sup>				
Coloured Yellow 4 conductors	L1	N	PE	----						3035924	3034708	
				Çelik	3034643	3034709	3034644	3034710				
				Plastik	3034645	3034711	3034646	3034712				
	L2	N	PE	----						3035925	3034713	
				Çelik	3034647	3034714	3034648	3034715				
				Plastik	3034649	3034716	3034650	3034717				
	L3	N	PE	----						3035926	3034718	
				Çelik	3034651	3034719	3034652	3034720				
				Plastik	3034653	3034721	3034654	3034722				
	L1	L2	L3	N	PE	----					3035927	3034723
					Çelik	3034655	3034724	3034656	3034725			
					Plastik	3034657	3034726	3034658	3034727			
Coloured Blue 5 conductors	L1	N1		PE	----					3046701	3046703	
				Çelik	3046689	3046693	3046695	3046699				
				Plastik	3046690	3046694	3046696	3046700				
	L2	N2	CE	PE	----					3046716	3046718	
				Çelik	3046704	3046708	3046710	3046714				
				Plastik	3046705	3046709	3046711	3046715				
	L1	N1	L2	N2	CE	PE	----				3035928	3034728
					Çelik	3034659	3034729	3034660	3034730			
					Plastik	3034661	3034731	3034662	3034732			
	Coloured Lilac 5 conductors	L1		N	CE	PE	----				3035984	3035985
					Çelik	3035987	3035988	3035993	3035994			
					Plastik	3035990	3035991	3035996	3035997			
L2			N	CE	PE	----				3035999	3036000	
				Çelik	3036002	3036003	3036008	3036009				
				Plastik	3036005	3036006	3036011	3036012				
L3			N	CE	PE	----				3036014	3036015	
				Çelik	3036017	3036018	3036023	3036024				
				Plastik	3036020	3036021	3036026	3036027				
L1		L2	L3	N	CE	PE	----				3036285	3036286
					Çelik	3036288	3036289	3036294	3036295			
					Plastik	3036291	3036292	3036297	3036298			

1- PE = Housing

CE = Isolated Clean Earth

Please call us for non-standard phase sequence.

2- Zinc Plated Steel Conduit

PA6 Halogen Free Plastic Conduit

3- 32A Tap-off Box with 4mm<sup>2</sup> Cross Section Cable.

4- LSF: Low Smoke, Fume (Flame retardent low intensity cable)

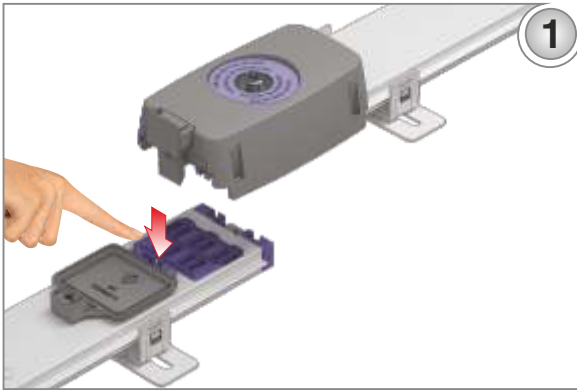
5- MCB; 6kA "B" type, upto 3x32A (Please specify with order).

6- Included DIN rail for MCB mounting.

**Note: When you supply tap-off boxes without cable and spirals, which it is like used later in construction, you should ground the metal spiral.**

■ Please contact with us, if you want tap-off boxes with cylindrical fuse.

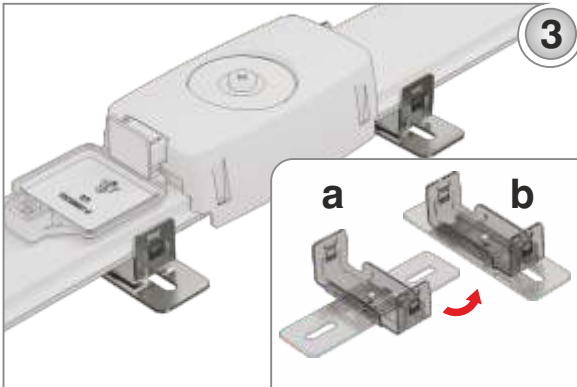
## ▶▶ Joint Coupler Installation



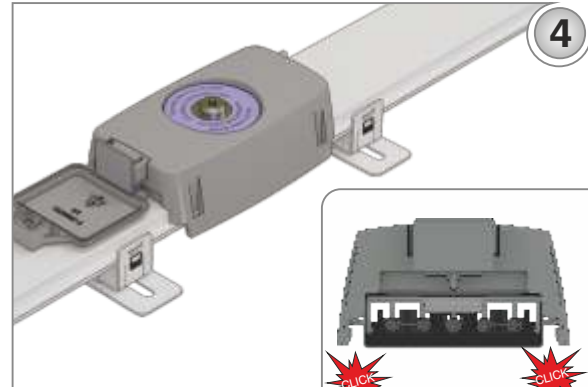
1- To join two busbar lengths as shown in the picture left, the additional module alignment pin should be aligned with the slot in the other window.



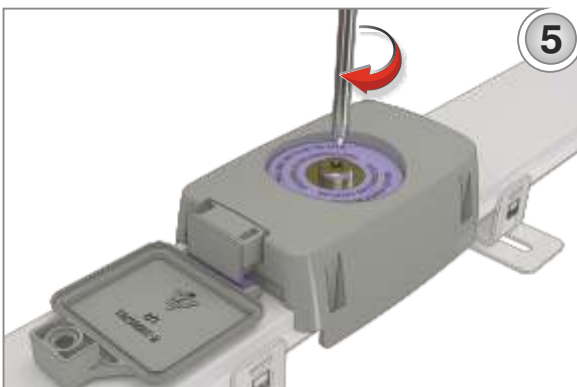
2- Push home the Joint Coupler alignment pin into the slot on the other window.



3- Please make sure that adjustable brackets are mounted near to joint points.



4- Ensure that the Joint Coupler claws, clip over the busbar body. (Joint coupler will not release after being clicked into place)



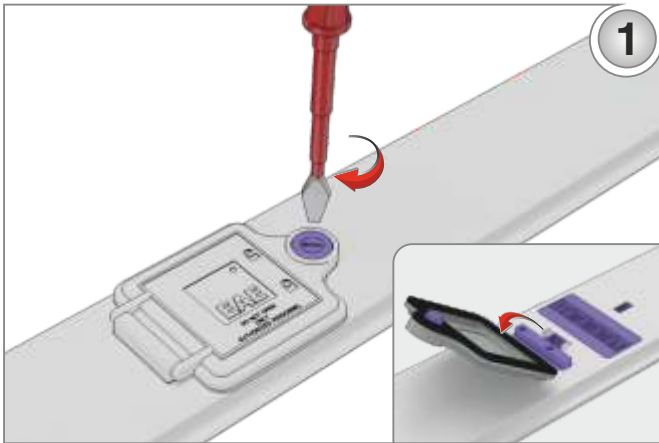
5- Tighten the main bolt of the joint pack to using a cross head screwdriver.



**WARNING:**

- \* Please do not remove the joint pieces which are sent equipped with the product.

## ►► Plug Installation



1- Open the socket cover.



2- Insert the alignment pins of the Plug into the busbar alignment holes.



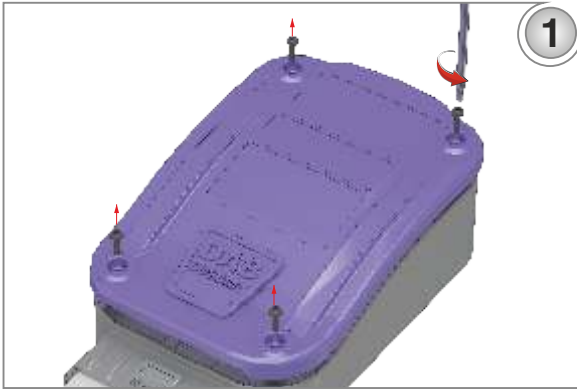
3- Make sure plug gripping parts (lugs) are gripped the channel. You should check, lugs are in the place essential to fully seated, as shown the figure..



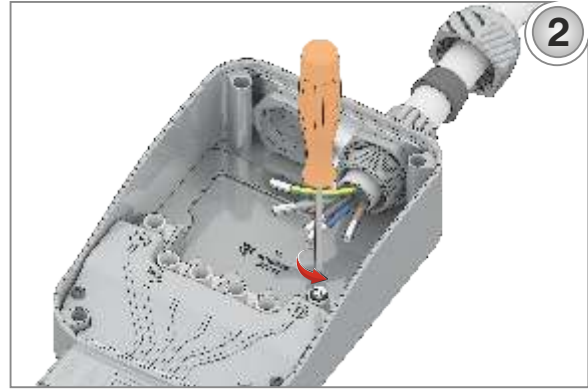
### WARNING:

- \* For your safety, do not cut the plug alignment pins, do not remove and do not changed their correct locations.
- \* The plug cable connections must be completed before connecting the plug to the busbar.
- \* Ensure that the load being supplied is in the "OFF" position.

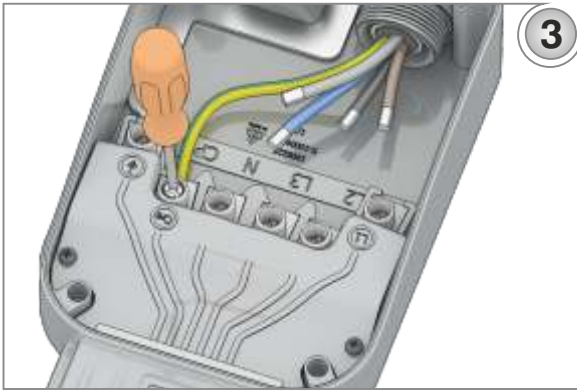
## ►► Feeder Box Installation



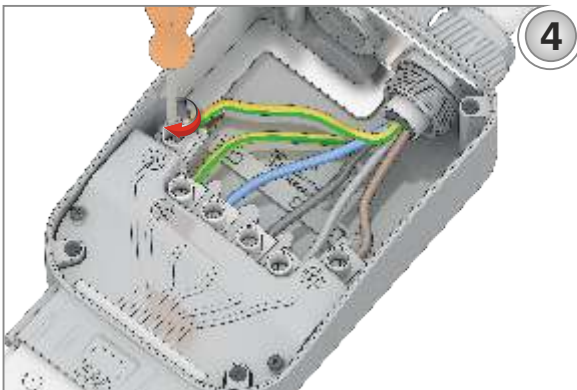
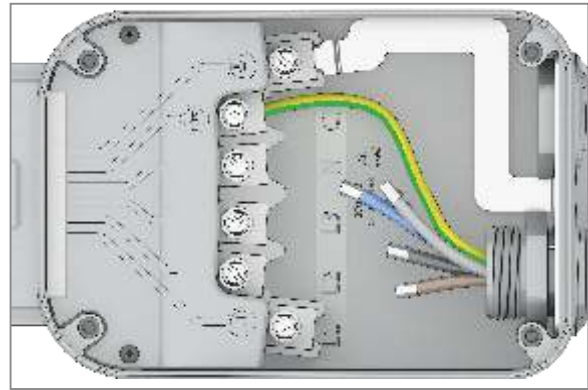
1- Remove the Feed Box cover by undoing the screws.



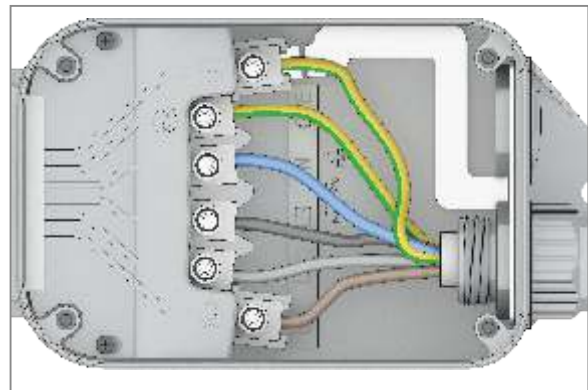
2- Feed cable should be used using the appropriate gland to complete the connection.



3- Bolts of phase and ground terminals are unscrewed enough for cable entry and screw the bolts to avoid the relocate the cables.



4- Complete the installation process by tightening the cable gland.

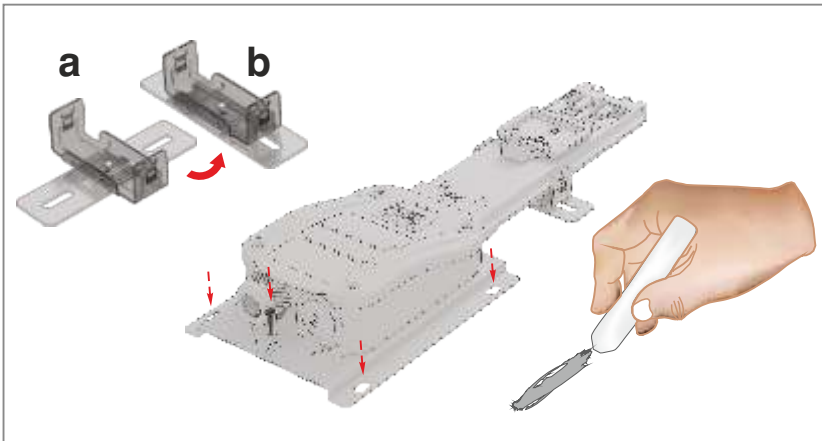


5- Refit the Feed Box cover by replacing the screws as shown. Be sure to use "U" support for the installation.



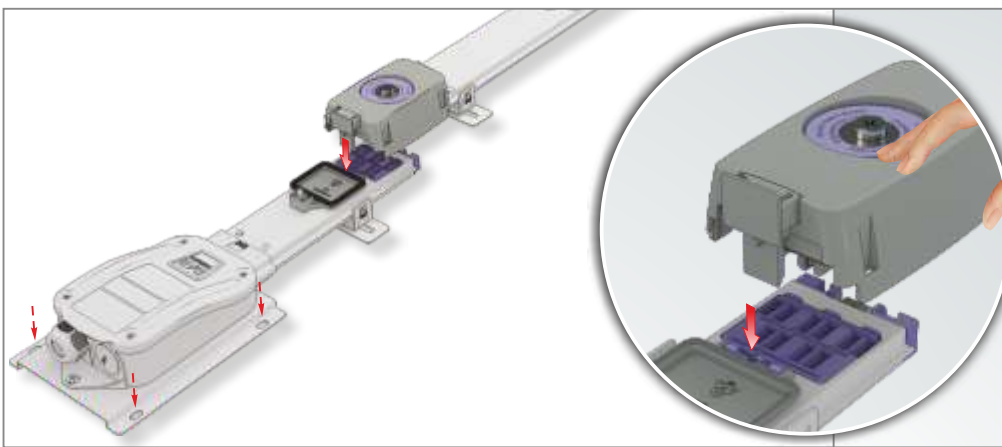
### WARNING:

- Ensure that the cable is not energised before starting the installation and the load supplied must be in the "OFF" position.
- Be sure to mount the "U" support under the feed module. The "U" support is included in the package.



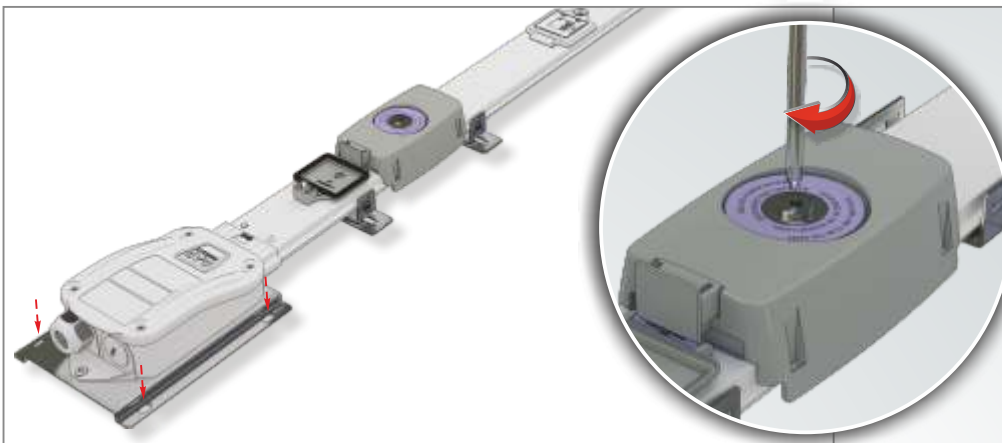
1

1- Mark out the route of busbar system where it will run . Make sure that, the line is clearly marked. Put a mark where it will be installed instead of the feed module and the end of the system. Fix the "U" support into place using with steel dowel and appropriate screw. Also fix the feed module to the "U" support with the screw included in the package.



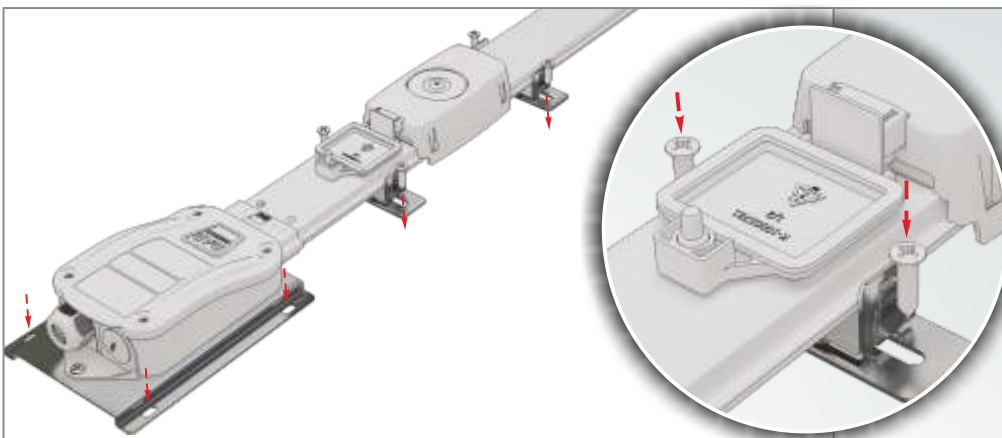
2

2- To join the two busbar lengths as shown in the picture left, the additional module alignment pin should be aligned with the slot in the other window.



3

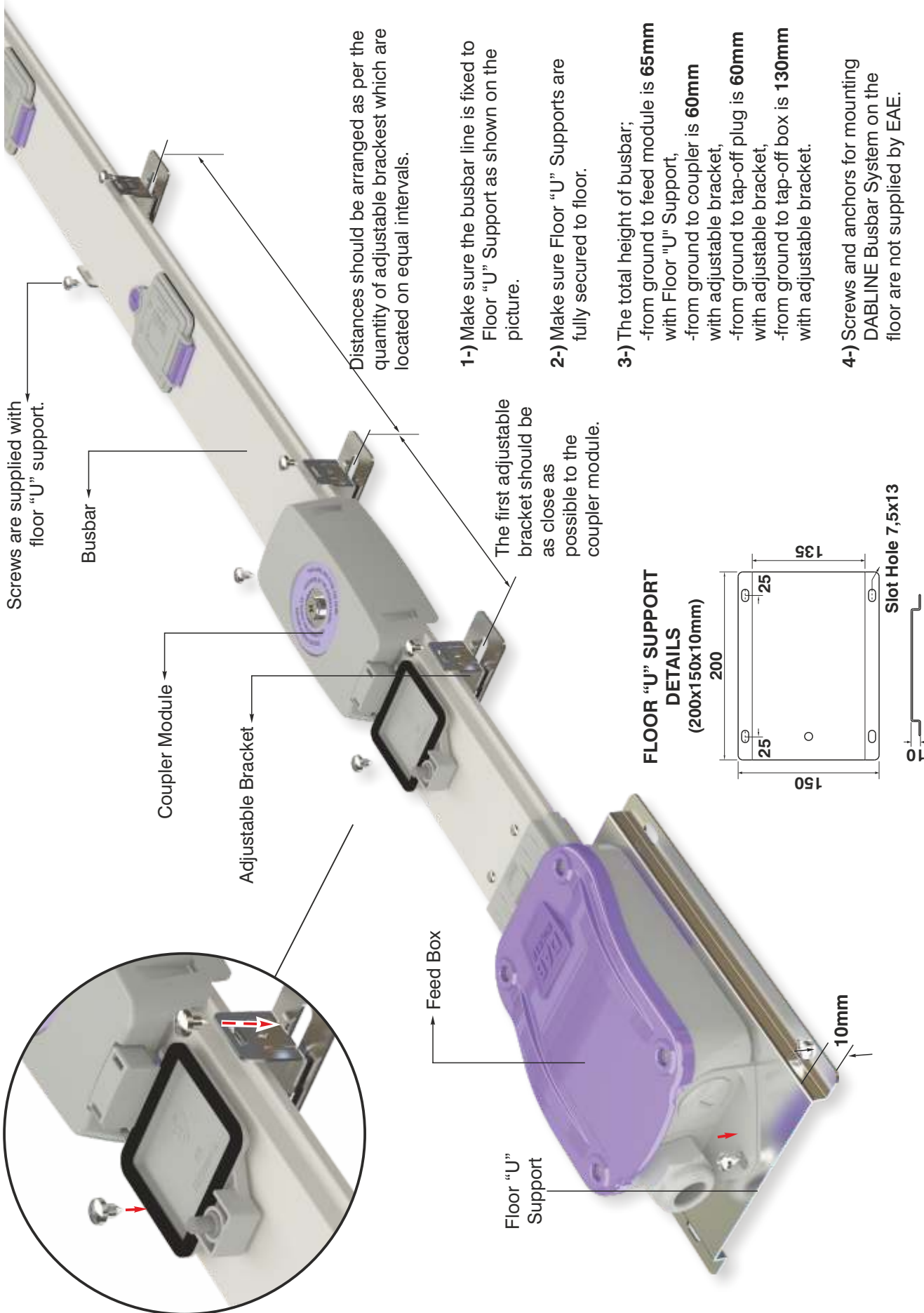
3- Tighten the main bolt of the joint pack to using a cross head screwdriver.



4

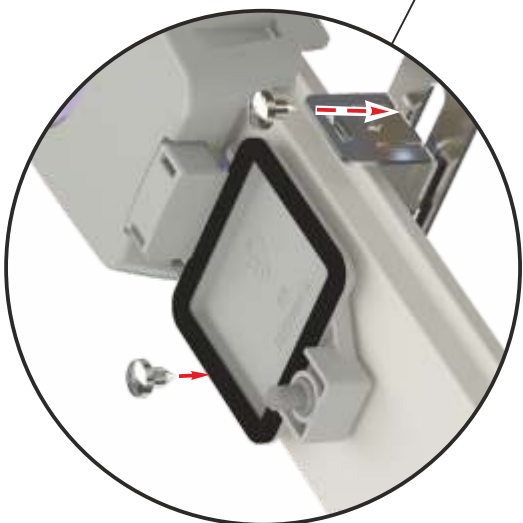
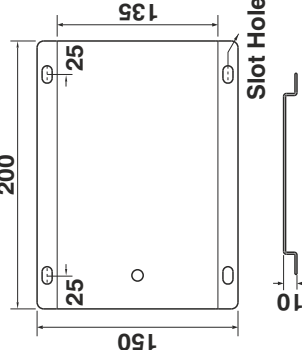
4- Fix the busbar systems to the base with the retractable support system.  
(Screws and anchors for mounting DABLINE Busbar System on the floor are not supplied by EAE.)

**NOTE :** It is suggested to use "U" Support under feeder and flexible modules.

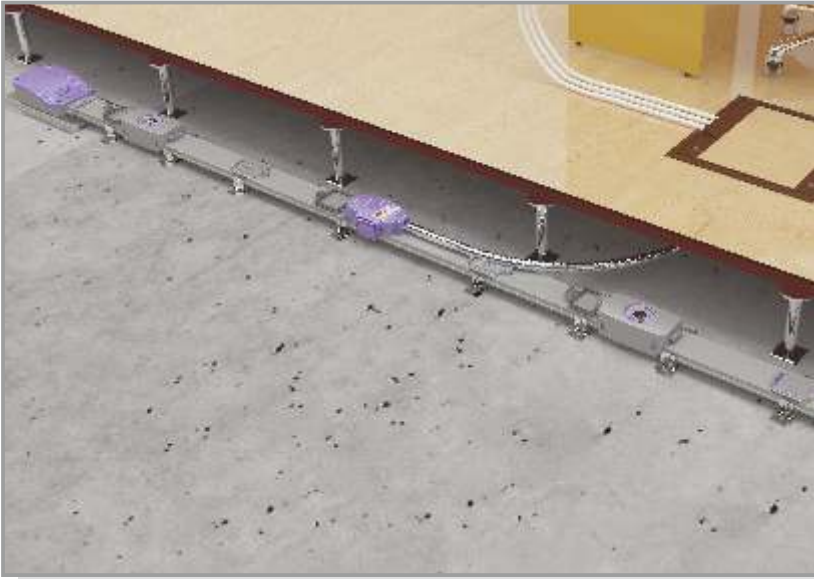


- 1-) Make sure the busbar line is fixed to Floor "U" Support as shown on the picture.
- 2-) Make sure Floor "U" Supports are fully secured to floor.
- 3-) The total height of busbar;
  - from ground to feed module is **65mm** with Floor "U" Support,
  - from ground to coupler is **60mm** with adjustable bracket,
  - from ground to tap-off plug is **60mm** with adjustable bracket,
  - from ground to tap-off box is **130mm** with adjustable bracket.
- 4-) Screws and anchors for mounting DABLINE Busbar System on the floor are not supplied by EAE.
- 5-) Screws for fixing adjustable bracket to floor "U" support are supplied with 2 pieces / floor "U" support by EAE.

### FLOOR "U" SUPPORT DETAILS (200x150x10mm)

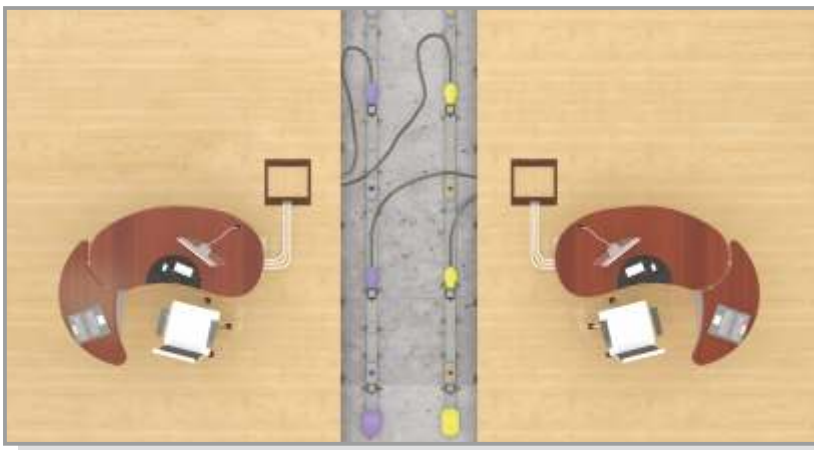






### Advantages:

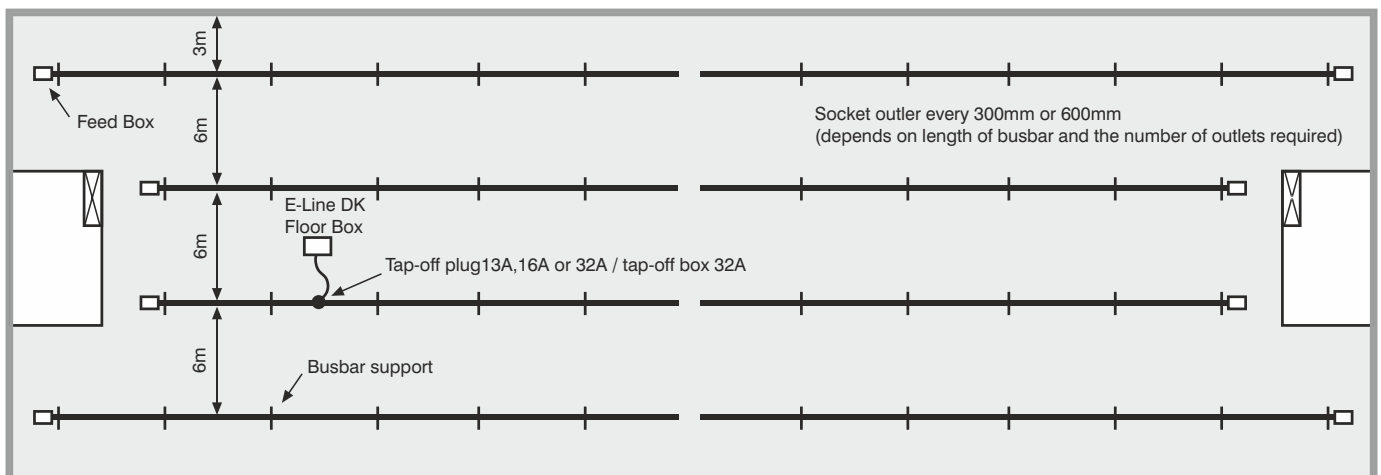
- Can be used in raised floor voids as low as 65mm in Office environments
- Suitable for to use in Data Control systems
- Easy mounting
- Up to 32 A outlet options
- Easy assembly with single bolt joint coupler
- Different Pin Codings for different types of busbar systems
- Different lengths of busbar can be achieved
- The contacts of the Tap-offs are silver plated



### Application Areas:

- Banks
- Shopping Centres
- New Generation Offices
- Hotels
- Hospitals
- Conference Centres
- Educational Buildings
- Cinemas and theatres
- Tourist Facilities etc.

### Sample DABLINE Installation



## PRODUCT OVERVIEW (DABLINE)

### Busbar Systems;

- shall have a type test report according to IEC 61439-6. The type test reports shall be from an internationally accepted third party laboratory.
- The Plug-in Busbar system shall have one of the following conductor number and configurations;
  - a) 4 conductors : L1 / L2 / L3 / N / PE (Housing) COLOURED YELLOW
  - b) 5 conductors: L1 / N1 / L2 / N2 / CE / PE (Housing) COLOURED BLUE
  - c) 5 conductors: L1 / L2 / L3 / N / CE / PE (Housing) COLOURED LILAC
 The housing shall be used as the earth conductor.
- The rated insulation voltage of the system shall be 690 V, shall have a rated current level of 63 and 80A, 50Hz., shall have tin plated copper conductors.
- shall be produced as 1.2m, 2.4m and 3m straight lengths and there shall be plug-in outlets every 30cm or 60cm (optional) with IP55 protection plug-in outlet covers.
- IP protection degree of the busbars shall be 55.
- The housing of the busbar shall be manufactured from 0,60mm thick, epoxy painted ( RAL 7038 ), galvanised sheet metal.
- The Support system shall be moveable and suitable for the busbar structure. Adjustable Fixing Bracket system shall be supplied as part of the busbar.
- Total height of the busbar system with all components shall be 65mm.
- The joint contact module shall provide continuous earth protection along the whole busbar line.
- The plug-in outlets shall be colour coded the same as the tap-offs to prevent incorrect connection of different types of busbars.

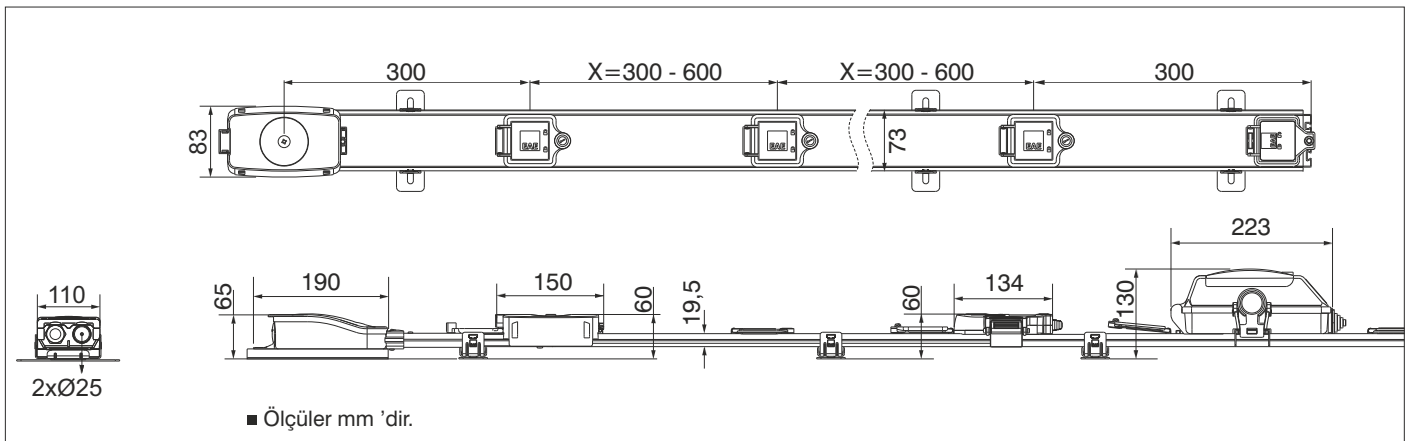
### Busbar Systems Conductors;

- In the housing shall be continuously insulated and only exposed at the plug-in points to create the contact area.
- shall be of electrolytic copper and continuously tin plated.
- Busbar joint contact points shall be silver plated.

### Busbar Systems Outlet Plugs;

- Contacts of the tap-offs shall be of jaw structure, which contacts the conductors on both sides. The contacts shall have springs.
- The Tap-off Cable shall be to BS EN 50525-3-41 or TS EN 50525-3-31.
- The Tap-off conduit shall be galvanised steel.  
Note: The plastic cable protection conduit is optional. Halogen-free products should be selected.
- The tap-off plugs shall have different colours and be addressable using pins for different types of busbar configuration.

## Busbar Systems Dimensions



# CE DECLARATION OF CONFORMITY

**Product Group** DABLINE Underfloor Busbar Systems

**Manufacturer** EAE Elektrik Asansor End. Insaat San. ve Tic. A.S.  
Akcaburgaz Mahallesi, 3114. Sokak,  
No:10 34510 Esenyurt-Istanbul

The objects of the declaration described below is in conformity with the relevant Union harmonisation legislation. This declaration of conformity is issued under the sole responsibility of the manufacturer.

**Standard :****EN 61439-6**

Low-voltage switchgear and controlgear assemblies - Part 6: Busbar trunking systems

**IEC 61439-6**

Low-voltage switchgear and controlgear assemblies - Part 6: Busbar trunking systems (busways)

**CE - Directive**

2014/35/EU "The Low Voltage Directive"

2014/30/EU "Electromagnetic Compatibility (EMC) Directive"

2011/65/EU "Restriction of the use of certain hazardous substances (RoHS)"

**Date**

20.04.2016

**EAE Elektrik A.S.**



**EAE Elektrik Asansor End. Insaat San. ve Tic. A.S.**

Akcaburgaz Mahallesi, 3114. Sokak, No:10 34510 Esenyurt-Istanbul  
Tel: +90 (212) 866 20 00 Fax: +90 (212) 886 24 20 <http://www.eae.com.tr>

DEKRA

DEKRA

DEKRA

DEKRA

DEKRA

DEKRA

DEKRA

# TEST CERTIFICATE

Issued to:	EAE Elektrik Asansör End. Insaat San. ve Tic. A.S. Akçaburgaz Mahallesi 119, Sokak No: 10 34510 Esenyurt / Istanbul
For the product:	Low-voltage busbar trunking system
Trade name:	EAE
Type/Model:	DAB Line 06
Ratings:	$I_{na}$ 63 A, $I_{nc}$ 32 A, $U_o$ 230/400 V, $U_i$ 690 V, $U_{imp}$ 6 kV, $I_{cc}$ 16 kA at 400 V, IP55, for more details see annex
Manufactured by:	EAE Elektrik Asansör End. Insaat San. ve Tic. A.S. Akçaburgaz Mahallesi 119, Sokak No: 10 34510 Esenyurt / Istanbul
Subject:	Design verification
Requirements:	IEC 61439-6: 2012; Clauses: 10.2.3, 10.2.6, 10.2.7, 10.2.101, 10.3, 10.4, 10.5, 10.9, 10.10, 10.11 and Annex BB, CC, and DD
Remarks:	Busbar trunking system consists of incoming box, joints, straight lengths, tap-off outlets, tap-off box and end box.

This Test Certificate is granted on account of an examination by DEKRA, the results of which are laid down in report no. 2174490.01-INC, dated 4 December 2014.

The examination has been carried out on one single specimen of the product, submitted by the manufacturer. The Attestation does not include an assessment of the manufacturer's production. Conformity of his production with the specimen tested by DEKRA is not the responsibility of DEKRA.

Arnhem, 4 December 2014

Number: 2174490.100

DEKRA Certification B.V.

F.S. Strikwerda  
Certification Manager

© Integral publication of this certificate and adjoining reports is allowed

DEKRA Certification B.V. Meander 1051, 6825 MJ Arnhem P.O. Box 5185, 6802 ED Arnhem, The Netherlands  
T +31 88 96 83000 F +31 88 96 83100 www.dekra-certification.com Company registration 09085396

DEKRA

DEKRA

DEKRA

DEKRA

DEKRA

DEKRA

DEKRA

# TEST CERTIFICATE

Issued to:	EAE Elektrik Asansör End. Insaat San. ve Tic. A.S. Akçaburgaz Mahallesi 119, Sokak No: 10 34510 Esenyurt / Istanbul
For the product:	Low-voltage busbar trunking system
Trade name:	EAE
Type/Model:	DAB Line 08
Ratings:	$I_{nA}$ 80 A, $I_{nc}$ 32 A, $U_g$ 230/400 V, $U_i$ 690 V, $U_{imp}$ 6 kV, $I_{cc}$ 16 kA at 400 V, IP55, for more details see annex
Manufactured by:	EAE Elektrik Asansör End. Insaat San. ve Tic. A.S. Akçaburgaz Mahallesi 119, Sokak.No: 10 34510 Esenyurt / Istanbul
Subject:	Design verification
Requirements:	IEC 61439-6: 2012; Clauses: 10.2.3, 10.2.6, 10.2.7, 10.2.101, 10.3, 10.4, 10.5, 10.9, 10.10, 10.11 and Annex BB, CC, and DD
Remarks:	Busbar trunking system consists of incoming box, joints, straight lengths, tap-off outlets, tap-off box and end box.

This Test Certificate is granted on account of an examination by DEKRA, the results of which are laid down in report no. 2174490.02-INC, 4 December 2014.

The examination has been carried out on one single specimen of the product, submitted by the manufacturer. The Attestation does not include an assessment of the manufacturer's production. Conformity of his production with the specimen tested by DEKRA is no the responsibility of DEKRA.

Arnhem, 4 December 2014

Number: 2174490.101

DEKRA Certification B.V.



F.S. Strikwerda  
Certification Manager

© Integral publication of this certificate and adjoining reports is allowed

DEKRA Certification B.V. Meander 1051, 6825 MJ Arnhem P.O. Box 5185, 6802 ED Arnhem, The Netherlands  
T +31 88 96 83000 F +31 88 96 83100 www.dekra-certification.com Company registration 09085396

Component List	
Item	Quantity
Component	
<p>Company : Project : Project No :</p> <p>Name : Date : Signature :</p>	
Prepared by	

Please duplicate this page for your own use.

# PRODUCT TYPES



## BUSBAR ENERGY DISTRIBUTION SYSTEMS

---



## CABLE TRAYS

---



## TROLLEY BUSBAR ENERGY DISTRIBUTION SYSTEMS

---



## INDOOR SOLUTIONS

---



## SUPPORT SYSTEMS

---

Please visit our website for the updated version of our catalogues.  
[www.eae.com.tr/EN](http://www.eae.com.tr/EN)



EAE Elektrik A.Ş.  
Akcaburgaz Mahallesi,  
3114. Sokak, No:10 34522  
Esenyurt-Istanbul-TURKEY  
Tel: +90 (212) 866 20 00  
Fax: +90 (212) 886 24 20

Please visit our website for the updated version of our catalogues.  
[www.eae.com.tr](http://www.eae.com.tr)



Catalogue 16-Eng. / Rev 09 2.000 pcs. 15/02/2019  
A.C.E.

EAE has full right to make any revisions or changes on this catalogue without any prior notice.